

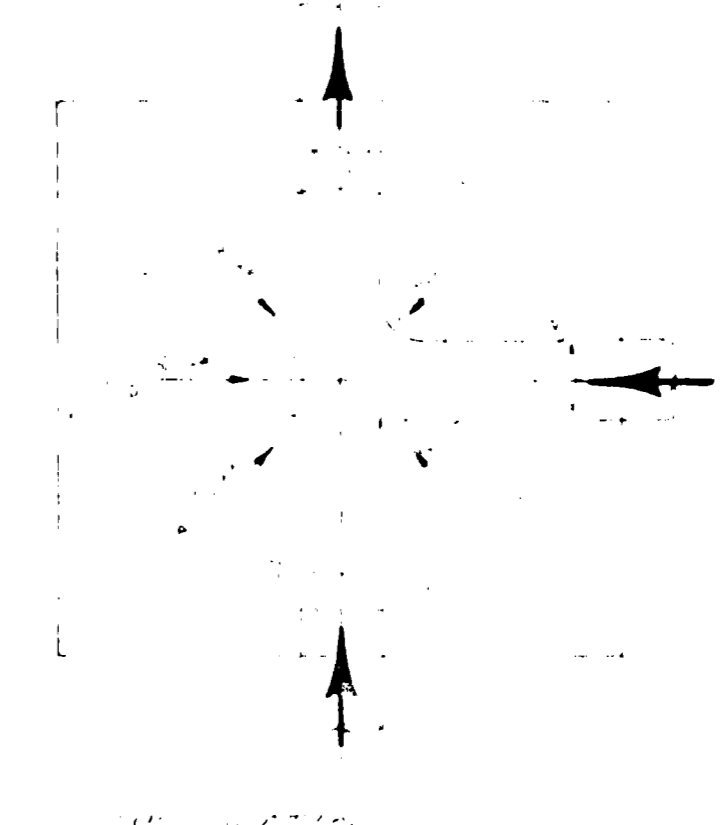
PROFILE
Scale 1/4" = 1' VERT.; 1/4" = 50' HORIZ.

STANDARD MH RIMS ALL COVER
(CASTINGS INC. M.H. 250-20 C1
OR APPROVED EQUAL

REINFORCED CONCRETE SEWER LINES
WEIGHT NOT TO EXCEED 40 LBS PER
LINEAL FOOT. BUREAU OF SANITATION
HARRIS COUNTY TEXAS SHALL BE
CONSULTED FOR SUBGRADE

MANHOLE STEPS CASTING ALL
US STEEL OR APPROVED
EQUAL

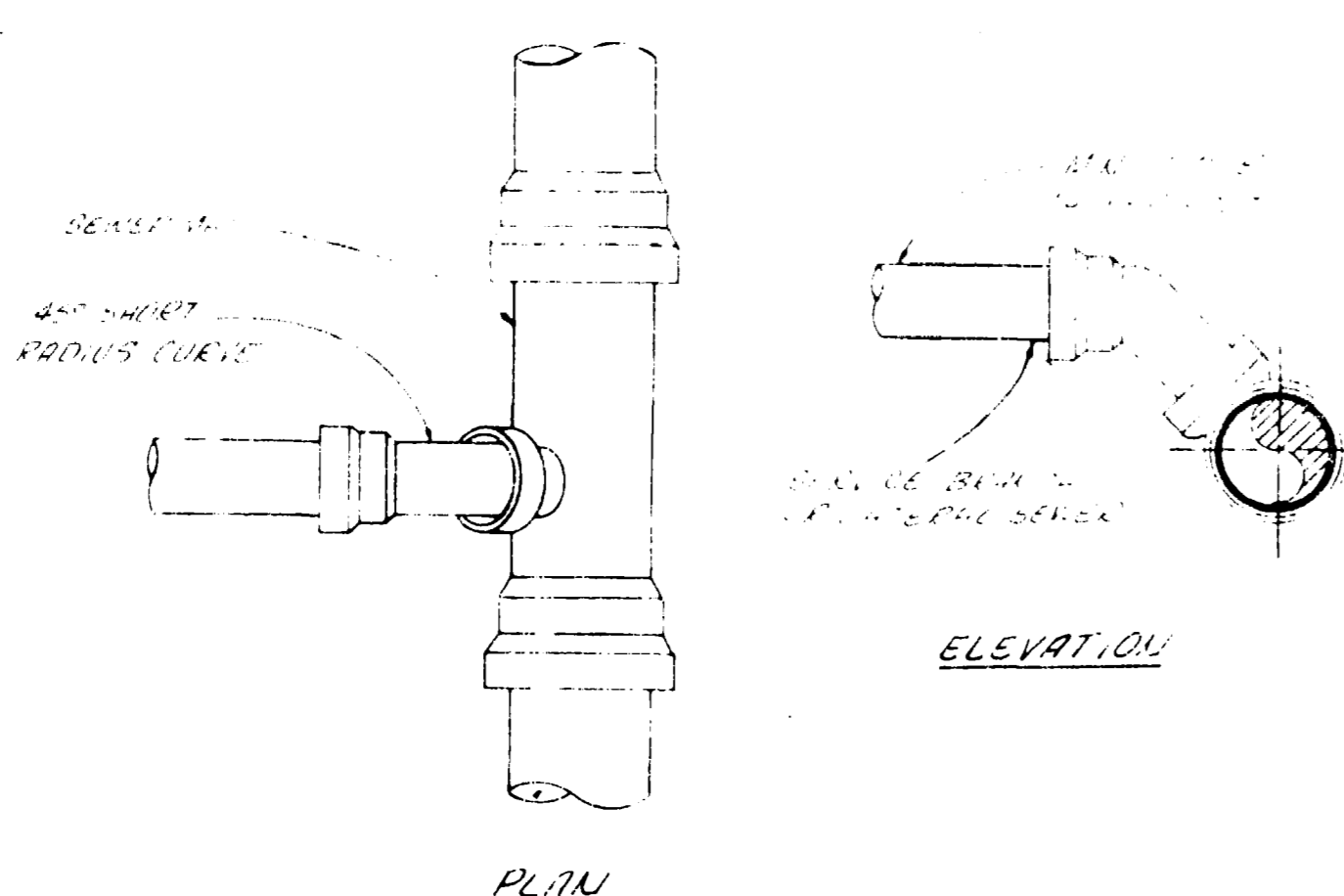
MANHOLE 8\"/>



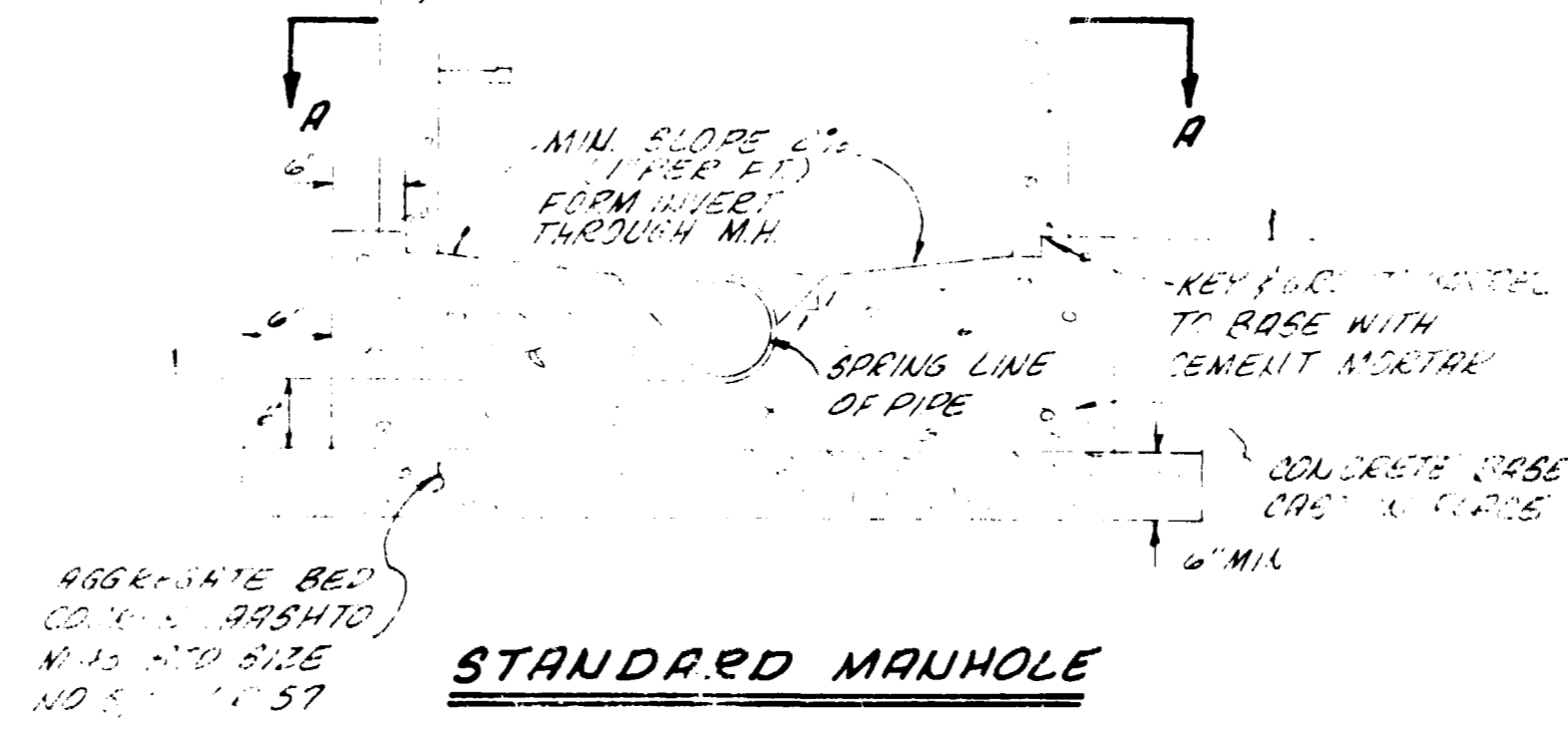
SECTION "A-A"

Quantities
562 LF 8" Sanitation Sewer
3 Standard Manholes
12 Service Connections

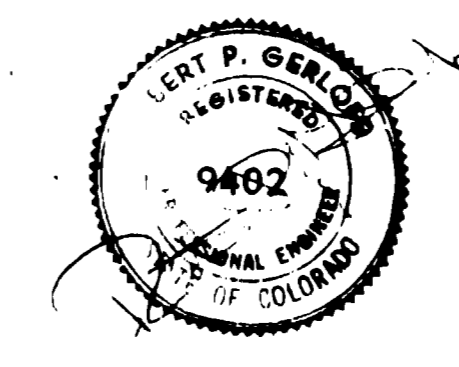
General Notes
1. Top of eccentric Cone to be set top of subgrade
(Street Contractor to set rims to finish grade of street.)
2. All construction to be done in accordance with the
Orchard Mesa Sanitation District Specifications.



TYPICAL LATERAL "T" CONNECTIONS



STANDARD MANHOLE



Approved _____ Date _____
Orchard Mesa Sanitation Dist.

AS BUILT DRAWINGS
12-27-77

ROBERT P. GERLOFF
Engineering Consultant
1977
COPPER HILLS SUBDIVISION
SANITARY SEWER PLAN
PROFILE AND DETAILS
ORCHARD MESA COUNTY COLORADO