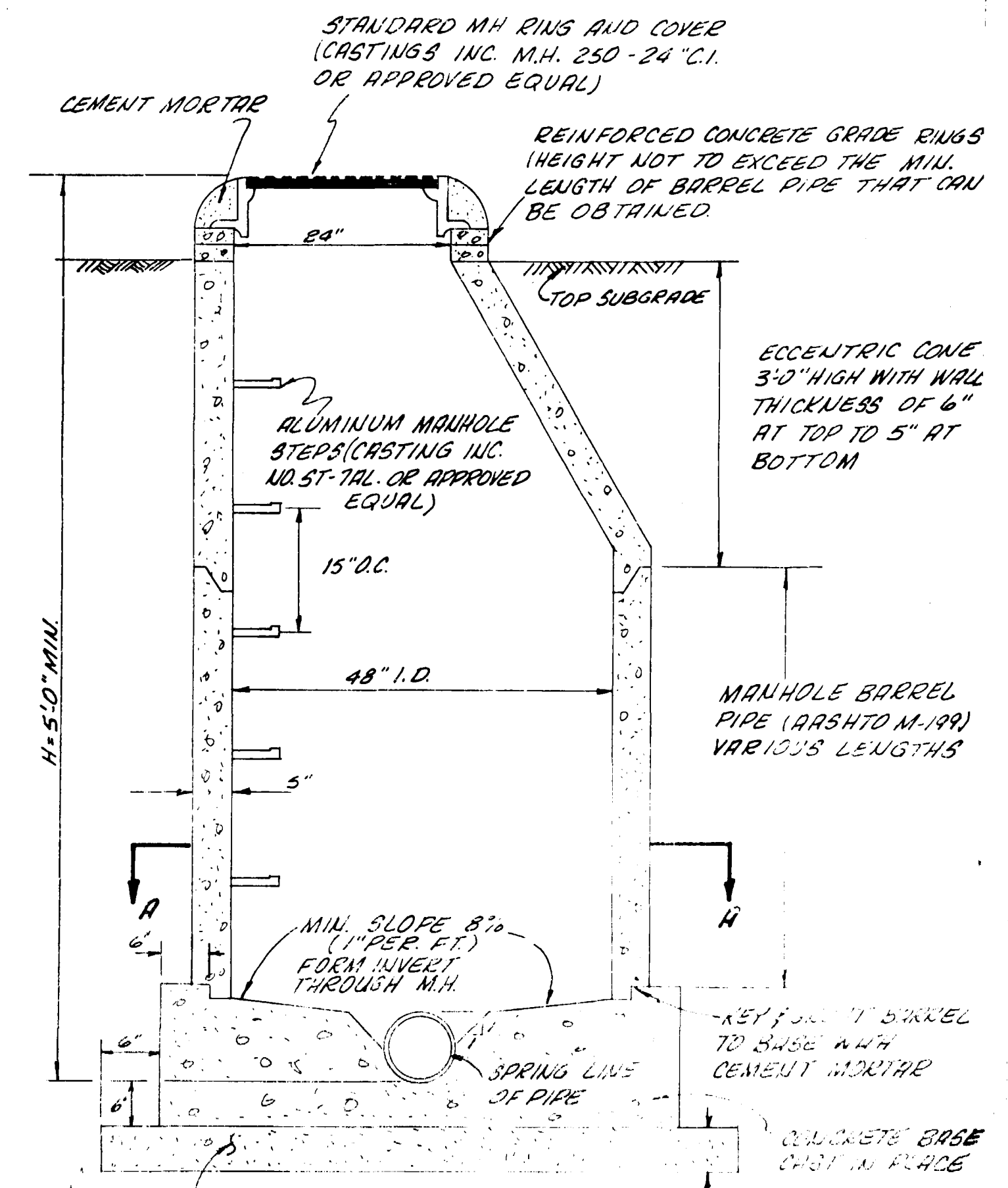
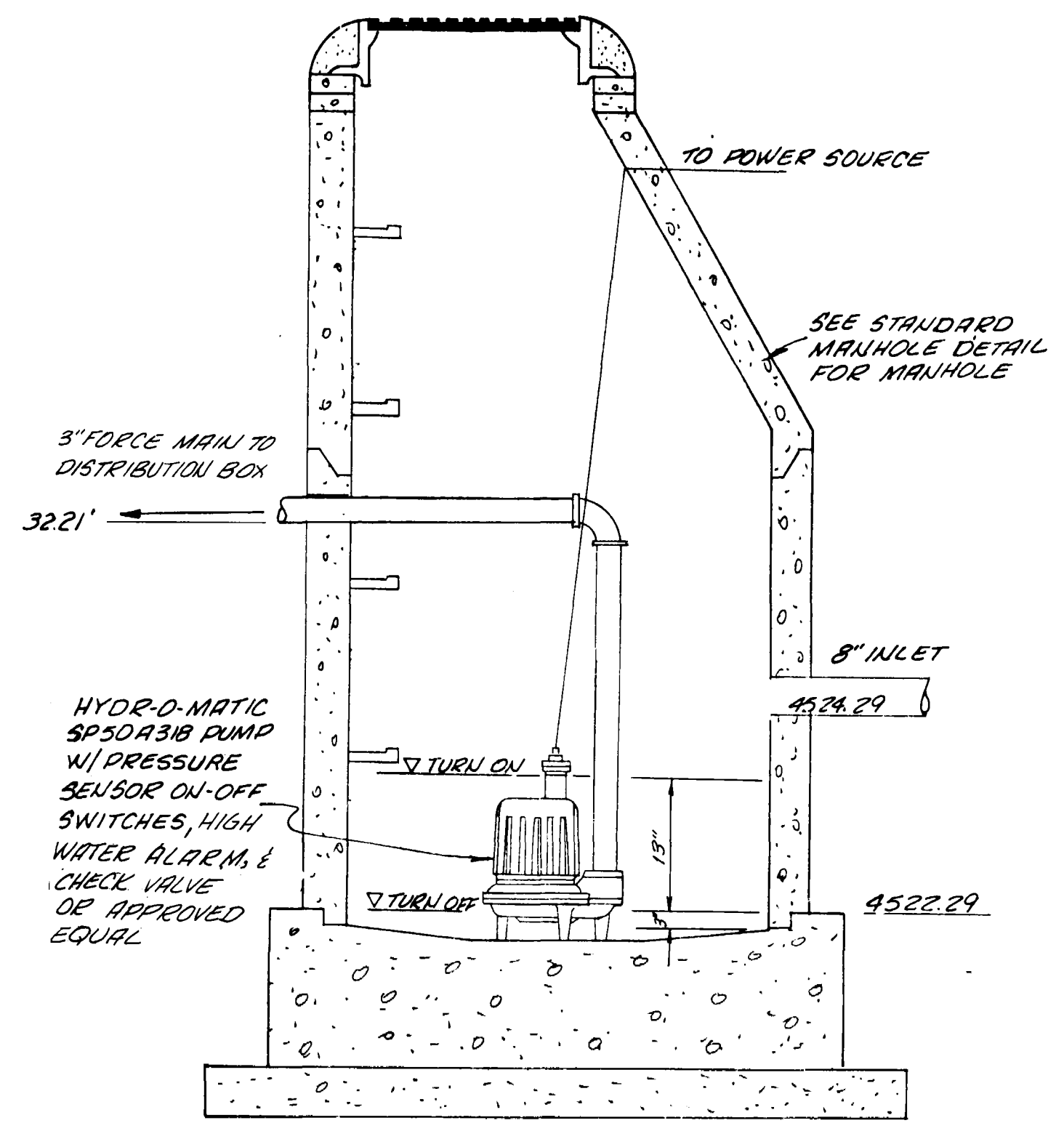


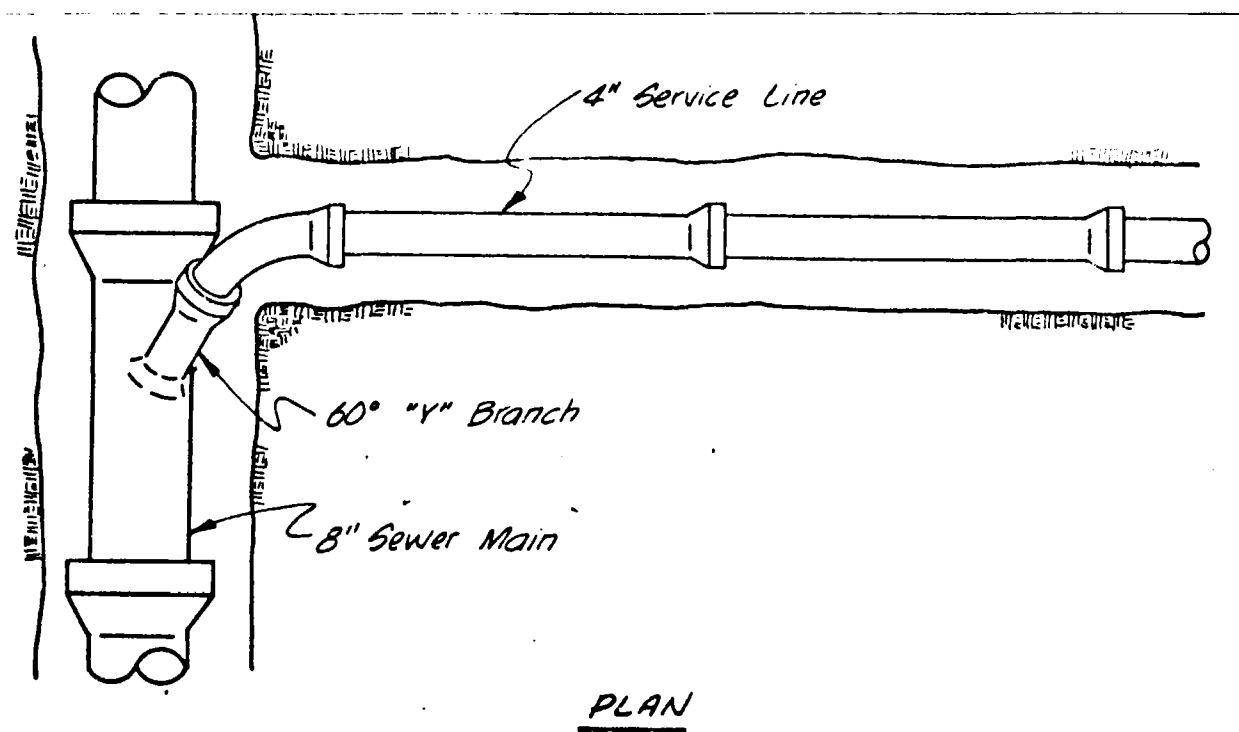
STANDARD SHALLOW MANHOLE



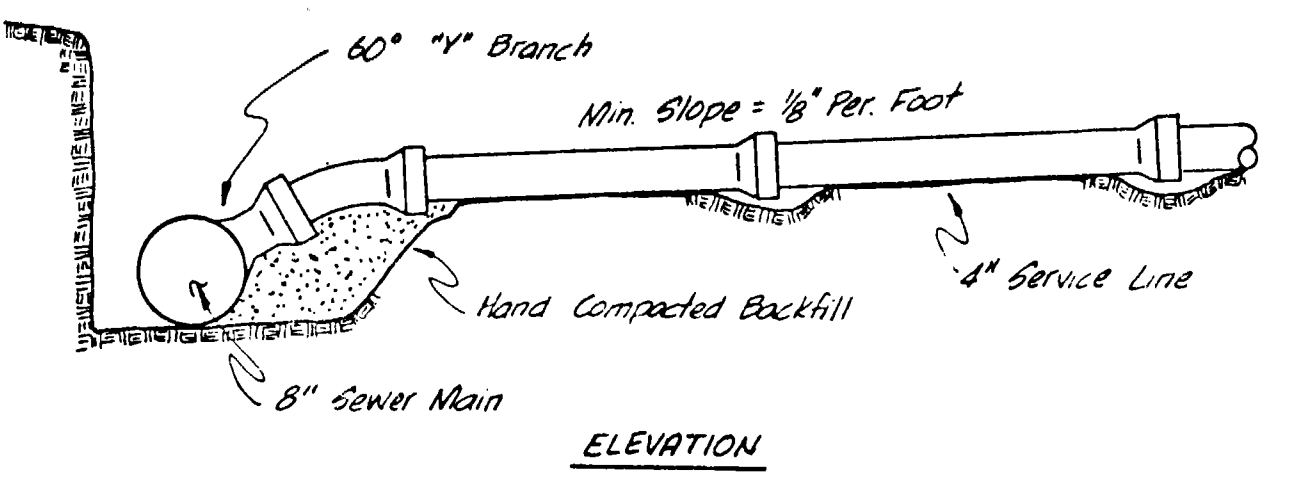
STANDARD MANHOLE



WET WELL MANHOLE

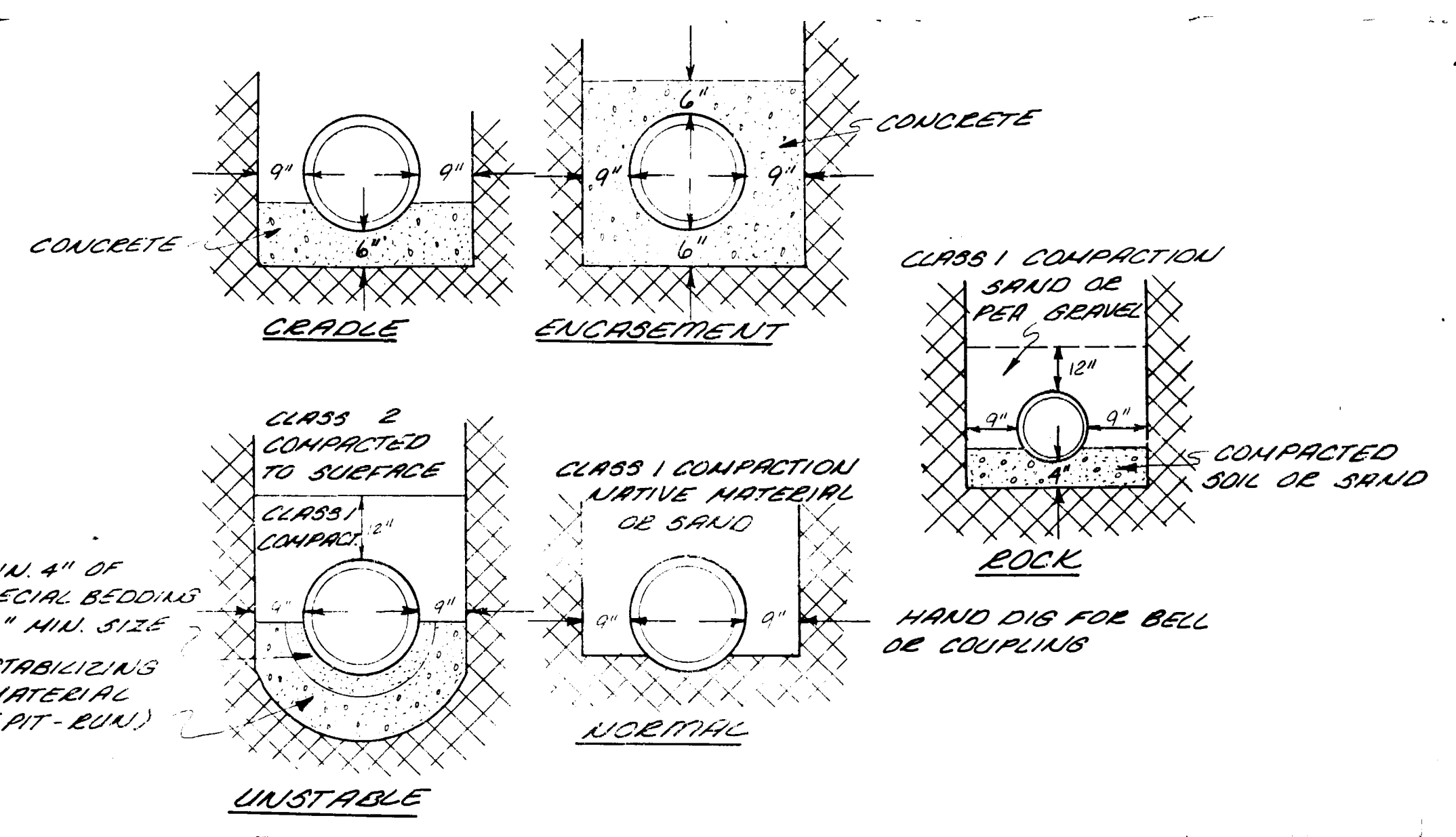


PLAN

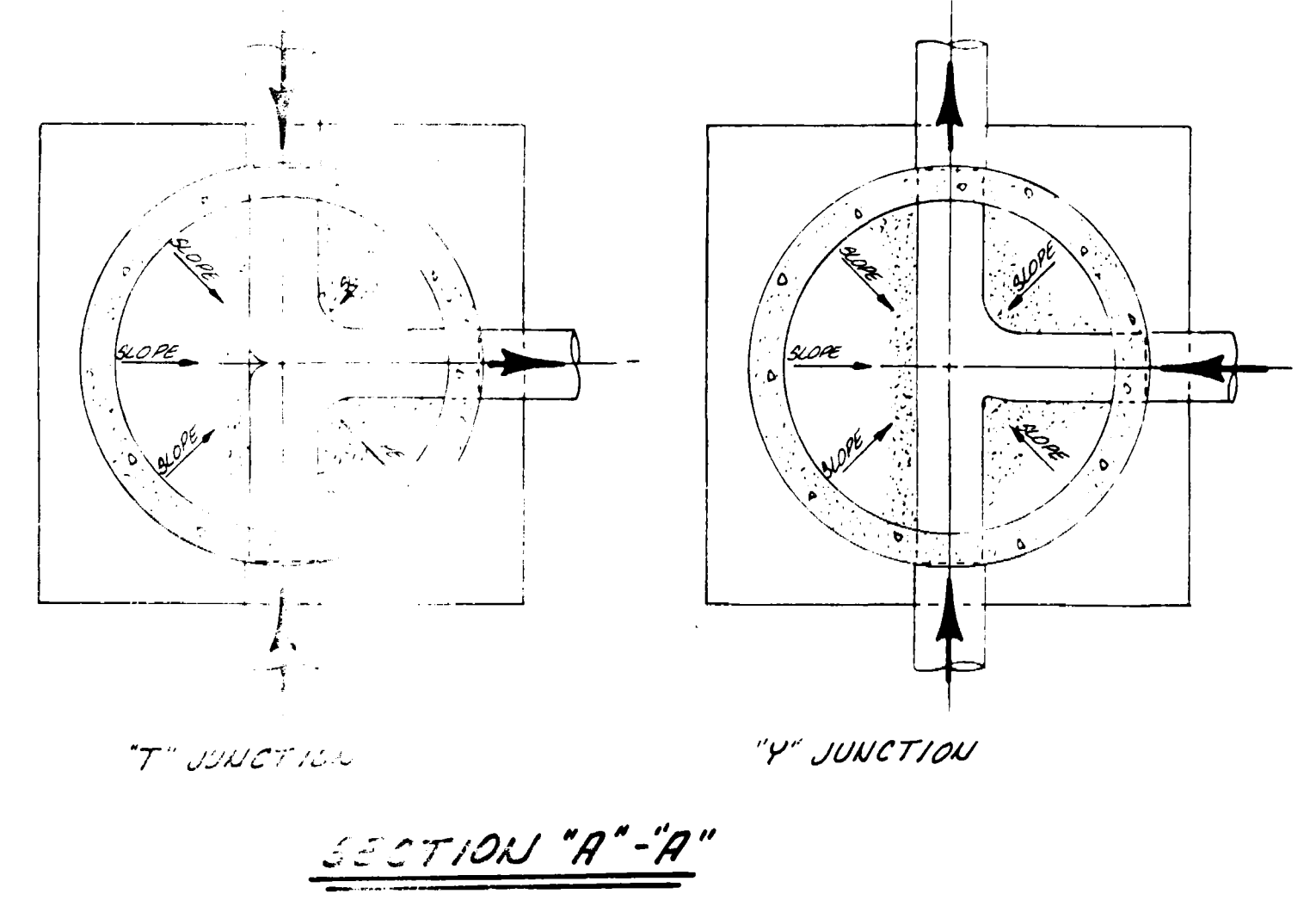


ELEVATION

STANDARD SERVICE CONNECTION
No Scale

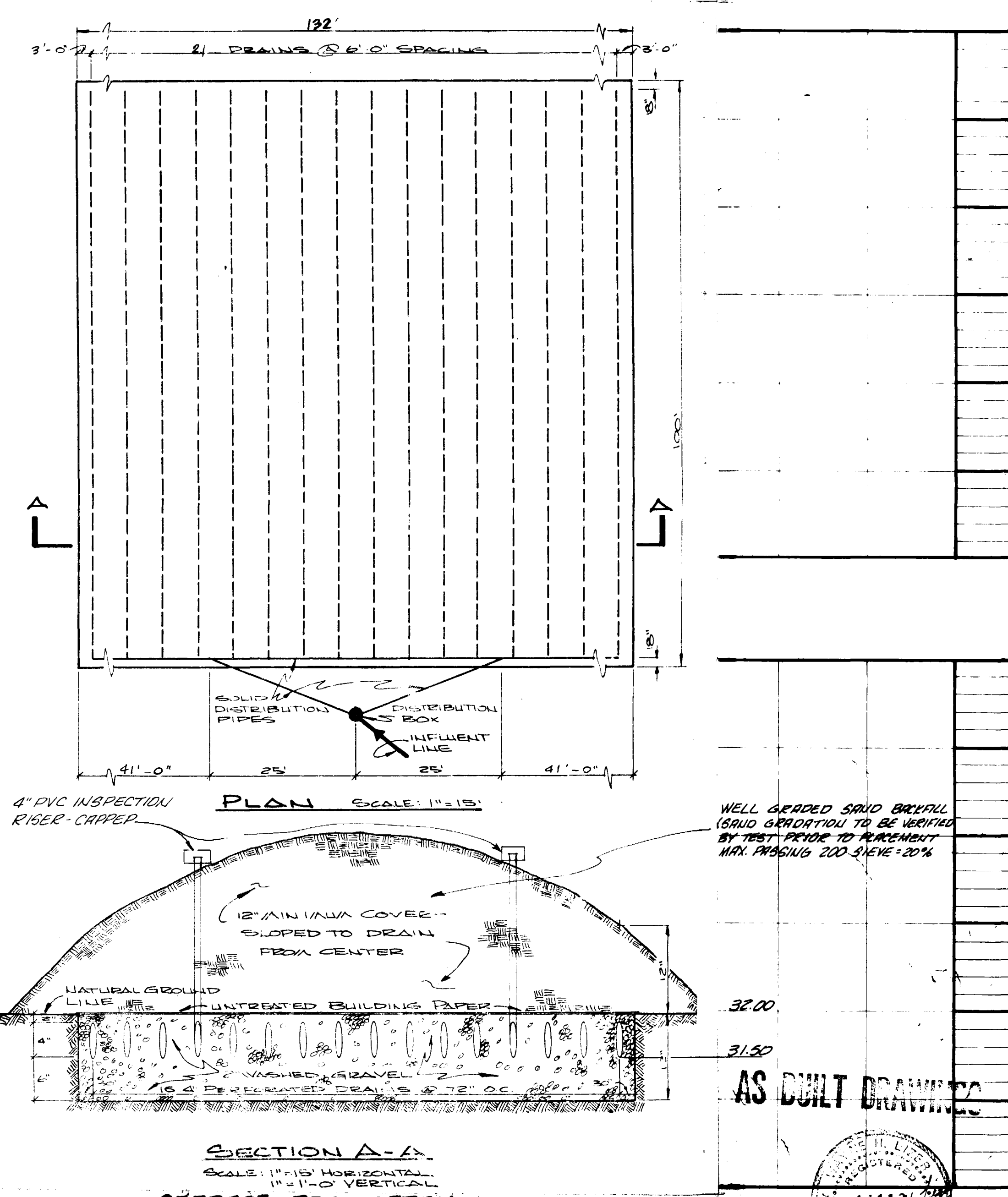
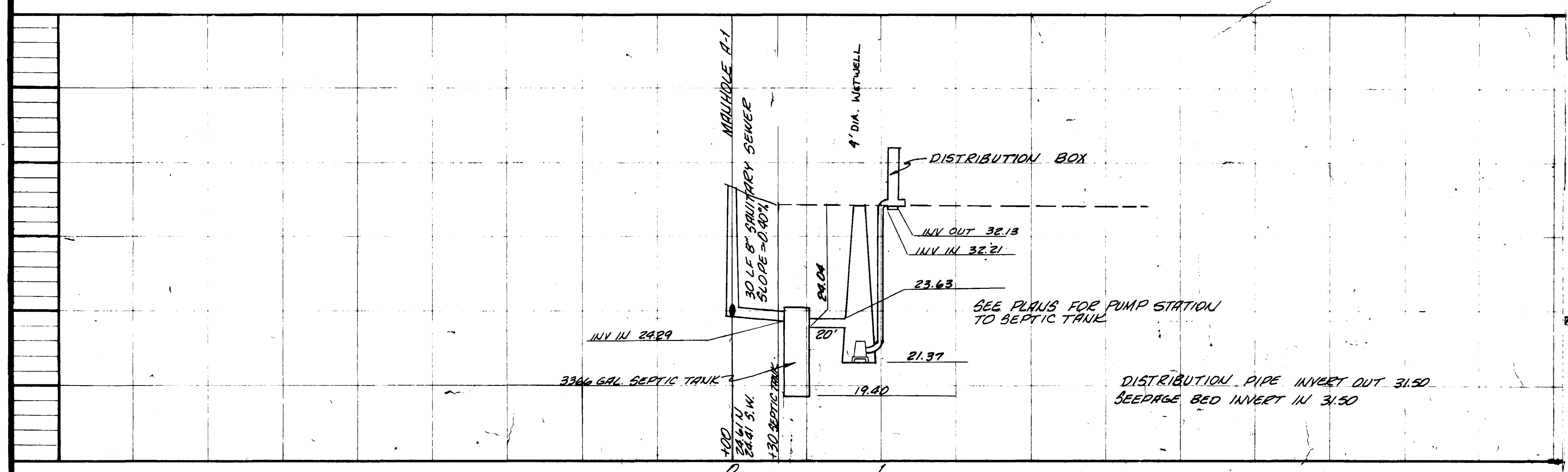
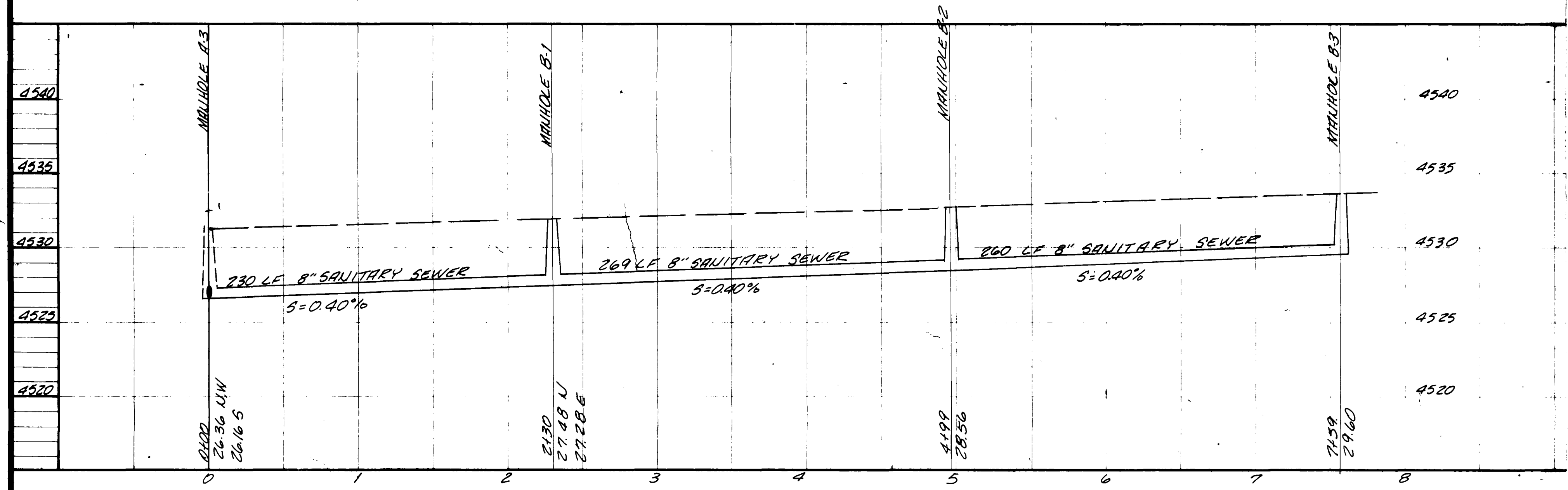
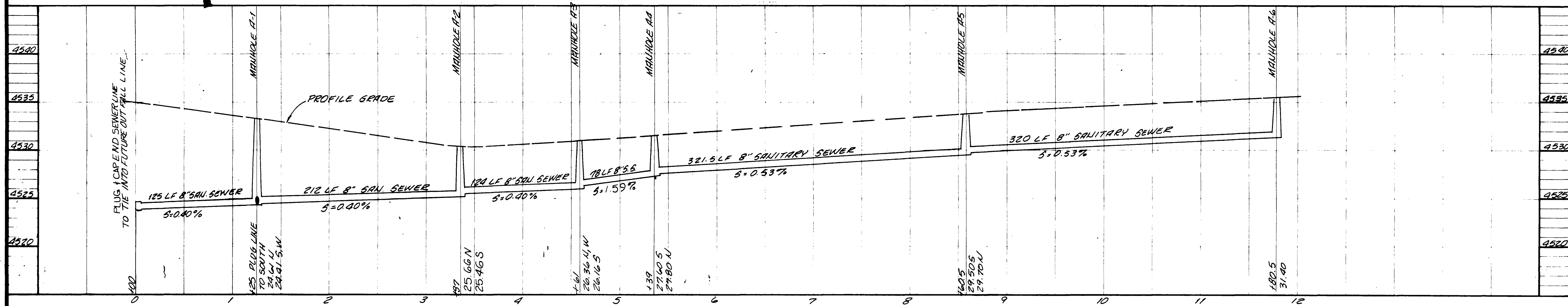


TYPICAL BEDDING DETAILS



SECTION "A-A"

AS BUILT DRAWINGS



ARROWSEE COMMERCIAL SUBDIVISION
MESA COUNTY, COLORADO

PARAGON ENGINEERING, INC.
Engineering Consultants

DATE: OCT. 1978
SCALE: 1" = 5' VERT.
1" = 50' HORIZ.

SHEET 3 OF 3