

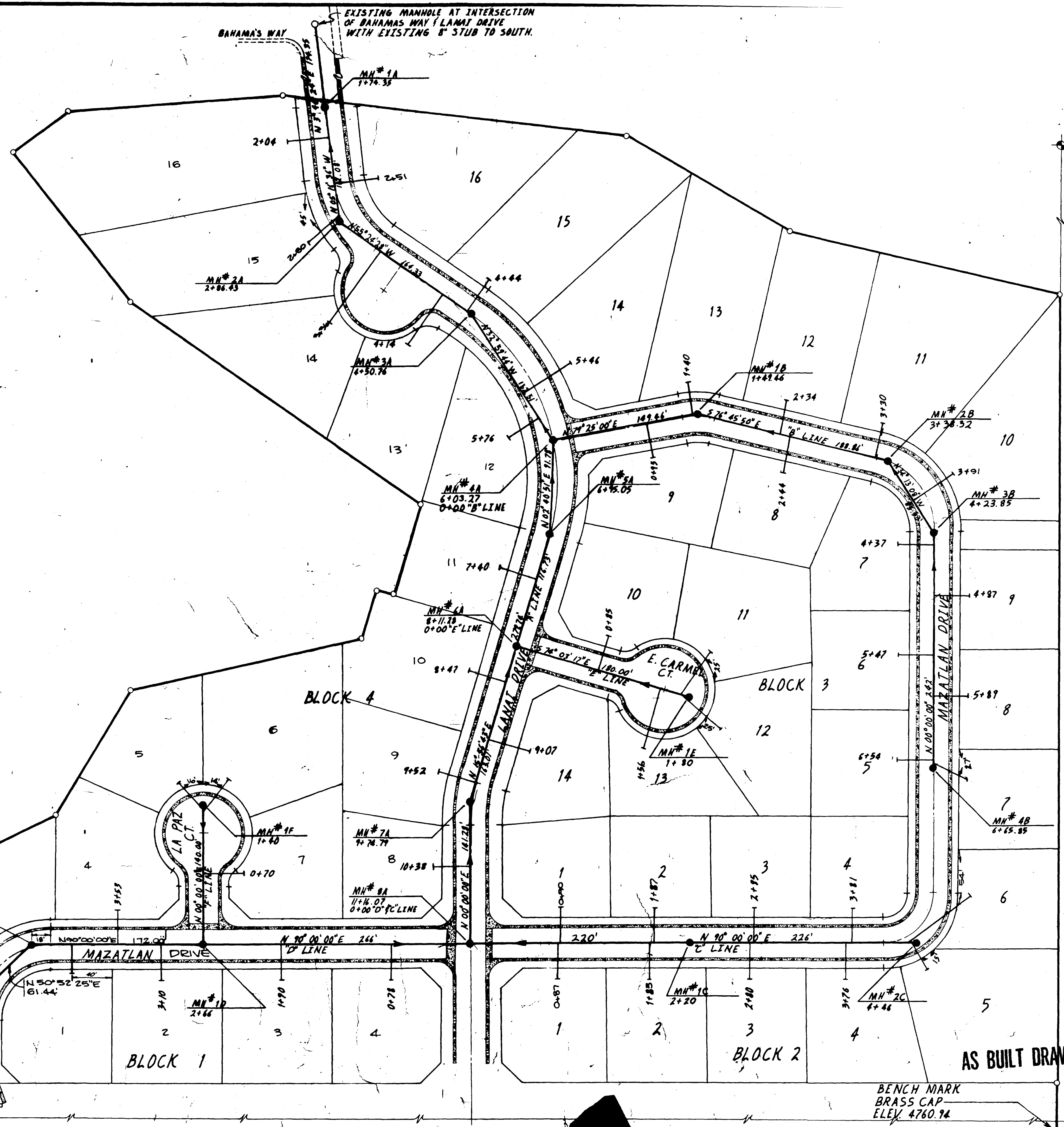
GENERAL NOTES

1. ALL CONSTRUCTION TO BE DONE IN ACCORDANCE WITH THE CITY OF GRAND JUNCTION SPECIFICATIONS.
2. TOP OF ECCENTRIC CONE TO BE SET @ TOP OF SUBGRADE (STREET CONTRACTOR TO SET RIMS TO FINISH GRADE OF STREETS)
3. 4" SERVICE LINES TO BE EXTENDED 10' INSIDE PROPERTY LINE.

QUANTITIES

- 2 SHALLOW MH
- 19 STANDARD MH
- 50 SERVICE CONNECTIONS
- 3232 L.F. OF 8" SAN. SEWER

ACCEPTED _____ DATE _____
CITY OF GRAND JUNCTION



NOTE: This is to certify that the system infiltration does not exceed 500 gallons per inch diameter per mile of length per day.

AS BUILT DRAWINGS

BENCH MARK
BRASS CAP
ELEV. 4760.74

CHECKED	DATE
	MAY, 1979
	SCALE
	1" = 50'

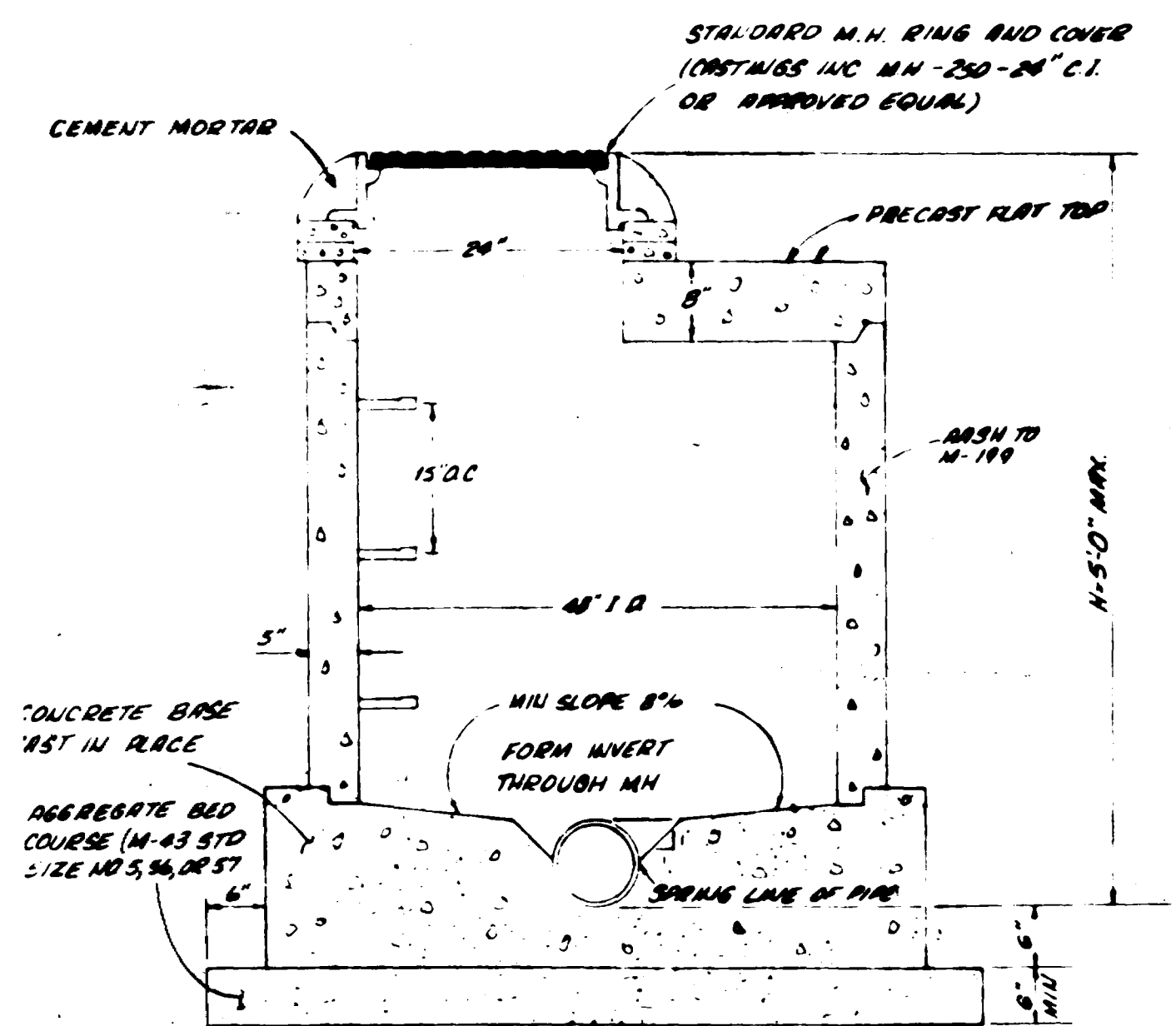
REVISIONS	BY
OCT. 22, 1979	LDC

PARAGON ENGINEERING, INC.
P.O. Box 2872
Grand Junction, Colorado 81501
303-241-8986

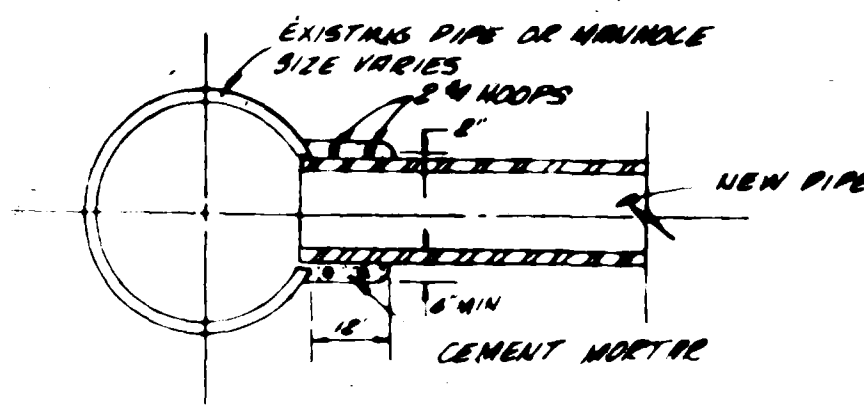
[Handwritten signature]

PARADISE HILLS
FILING NO. SIX
MESA COUNTY, COLORADO
SAN. SEWER PLANS & PROFILES

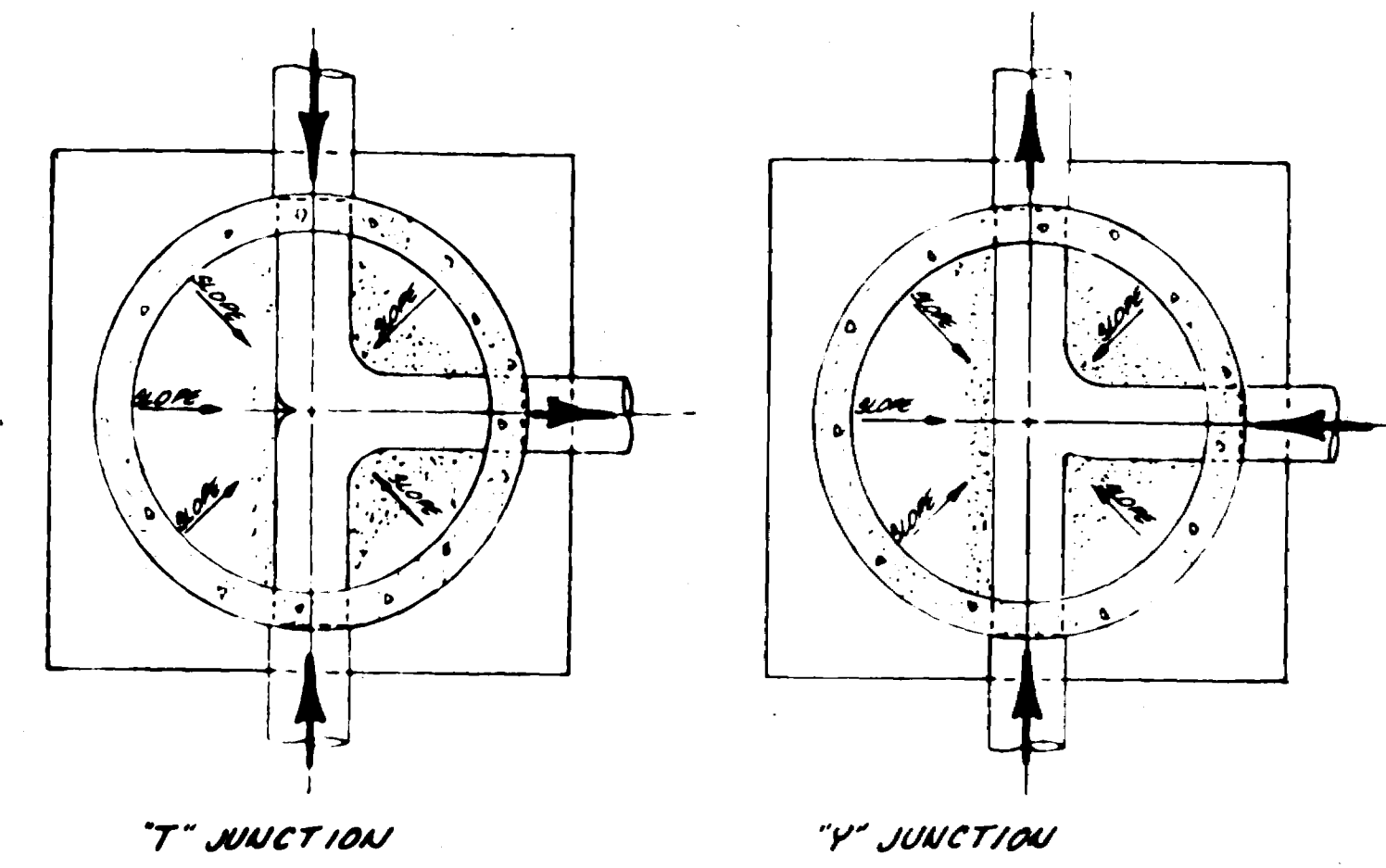
SHEET	1
OF	4 SHEETS



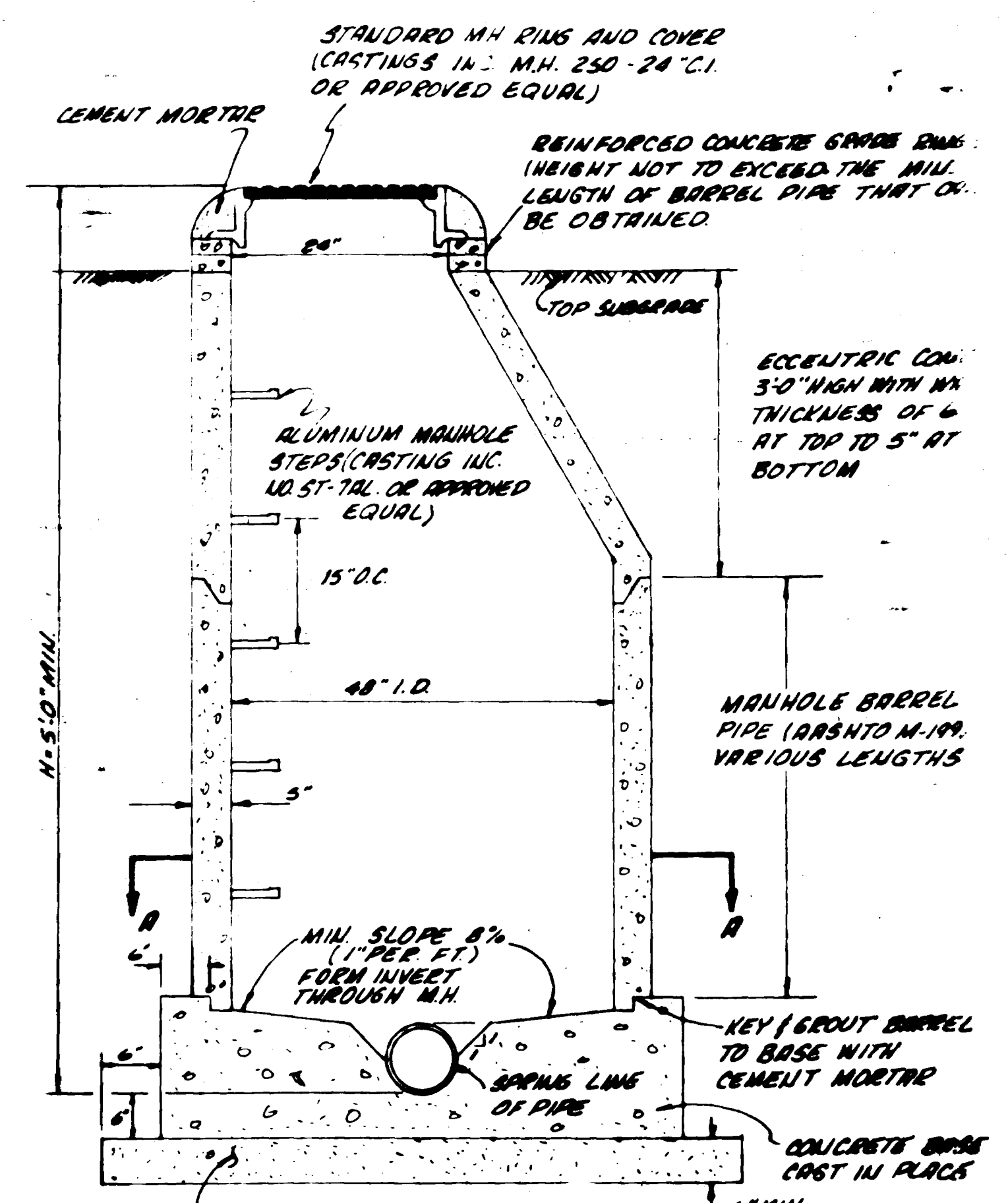
STANDARD SHALLOW MANHOLE



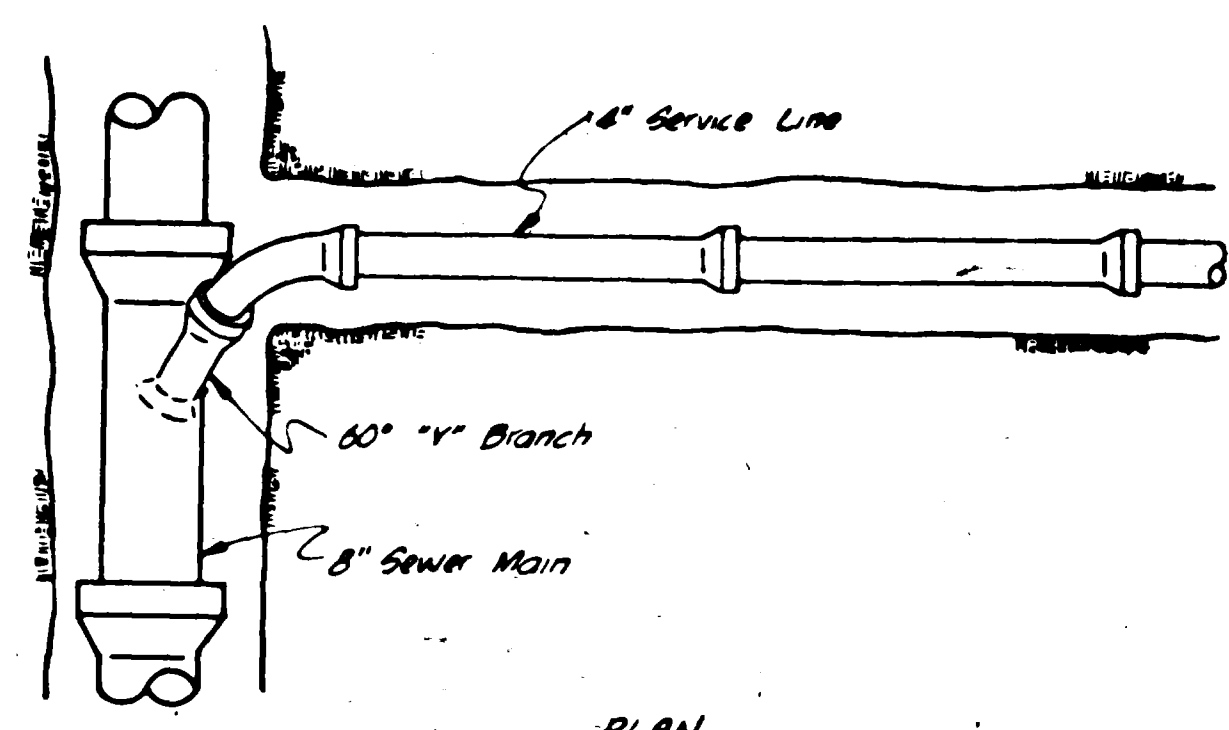
CONNECTION TO EXISTING MANHOLE OR PIPE



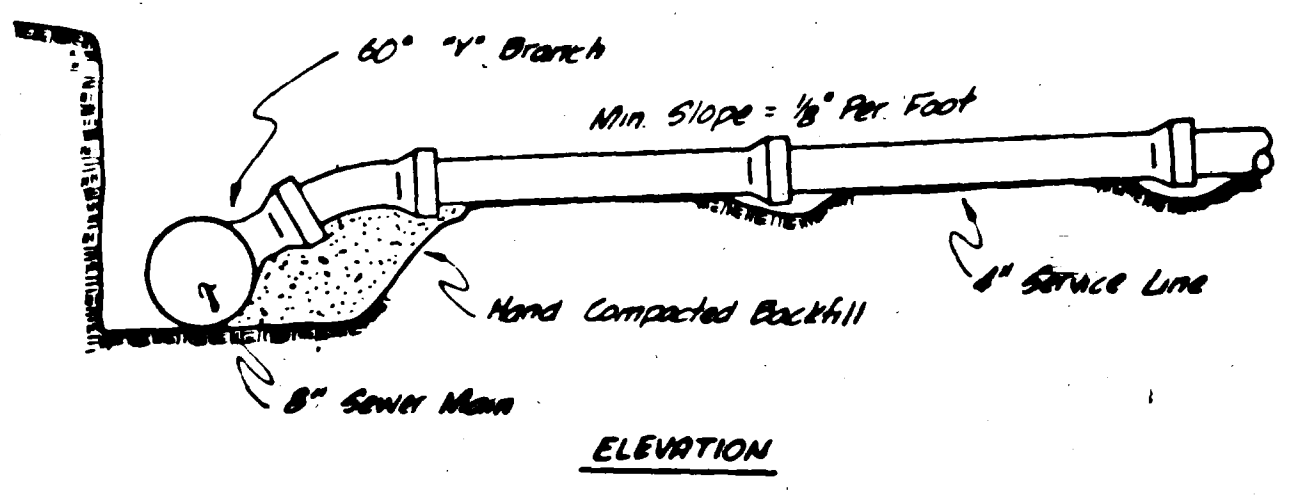
SECTION "A"- "A"



STANDARD MANHOLE

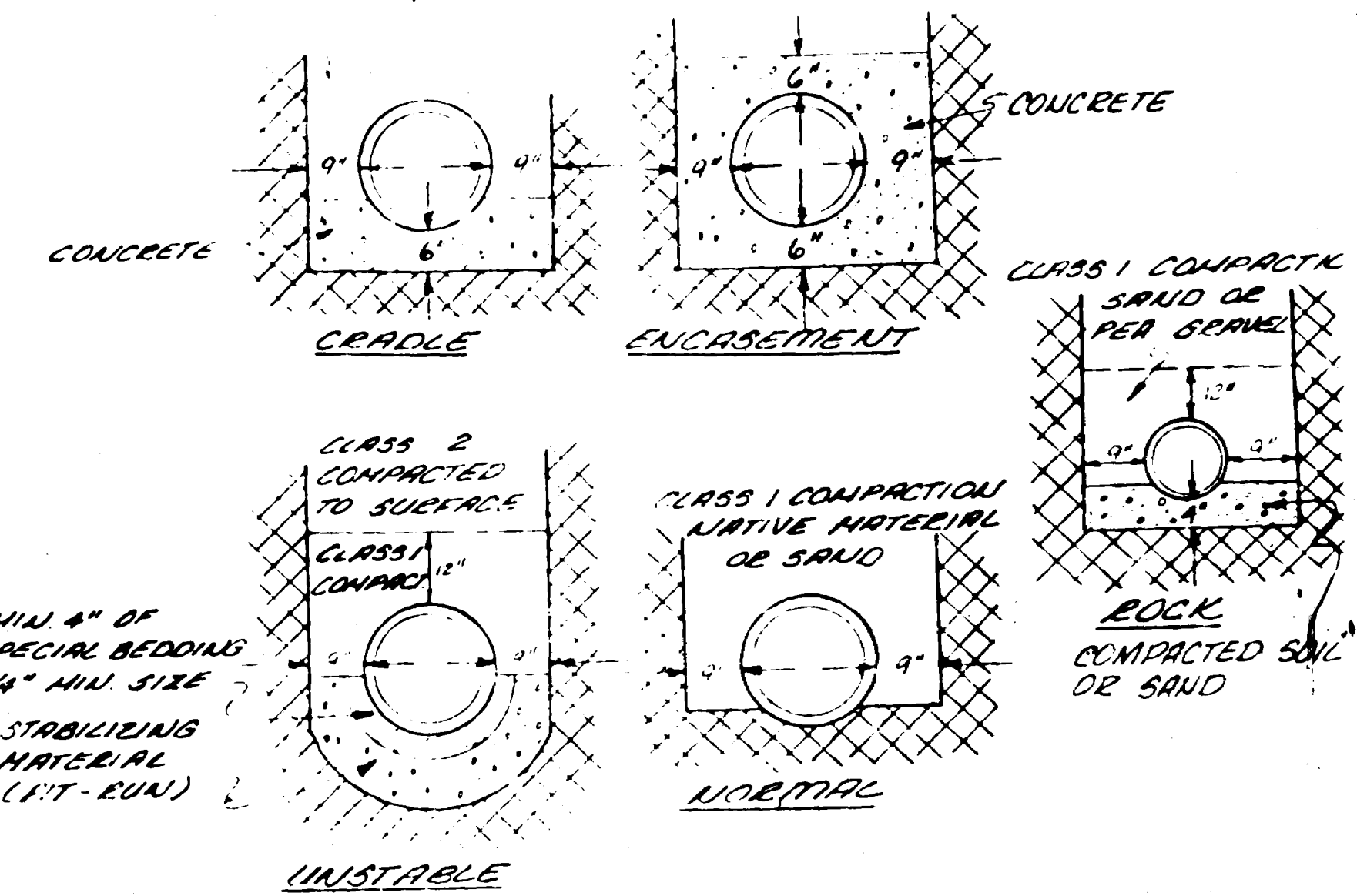


PLAN



ELEVATION

STANDARD SERVICE CONNECTION
No Scale



TYPICAL BEDDING DETAIL

NOTES:
HAND DIG FOR BELL OR COUPLING

REVISIONS	BY

PARAGON ENGINEERING, INC.
P.O. Box 2872
Mesa, Arizona 85201
TEL: 41-8906



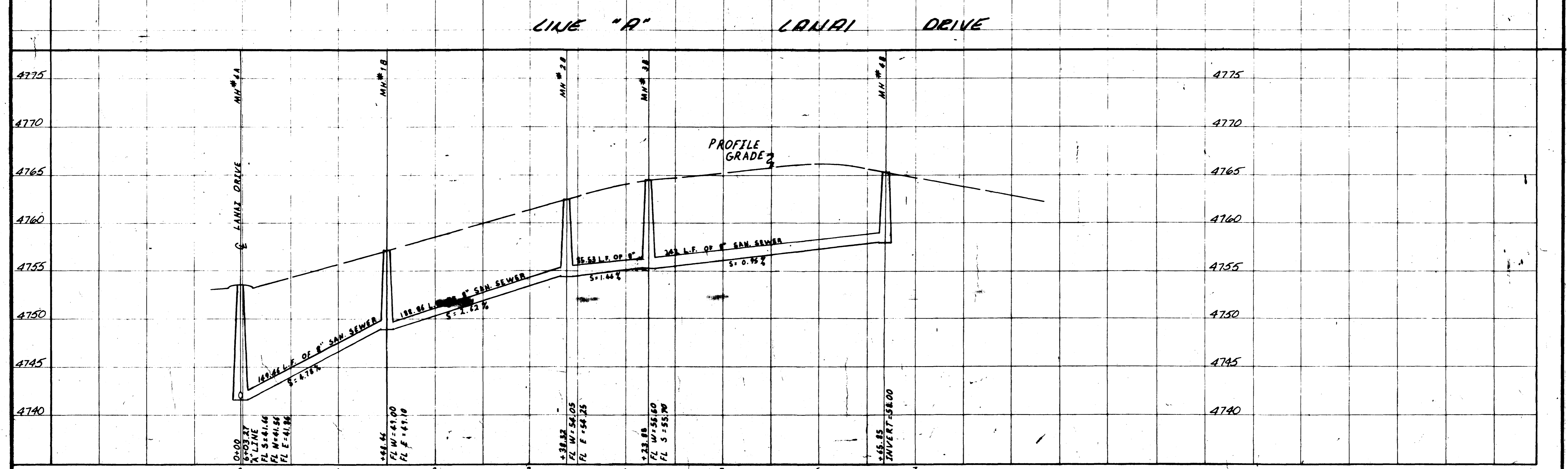
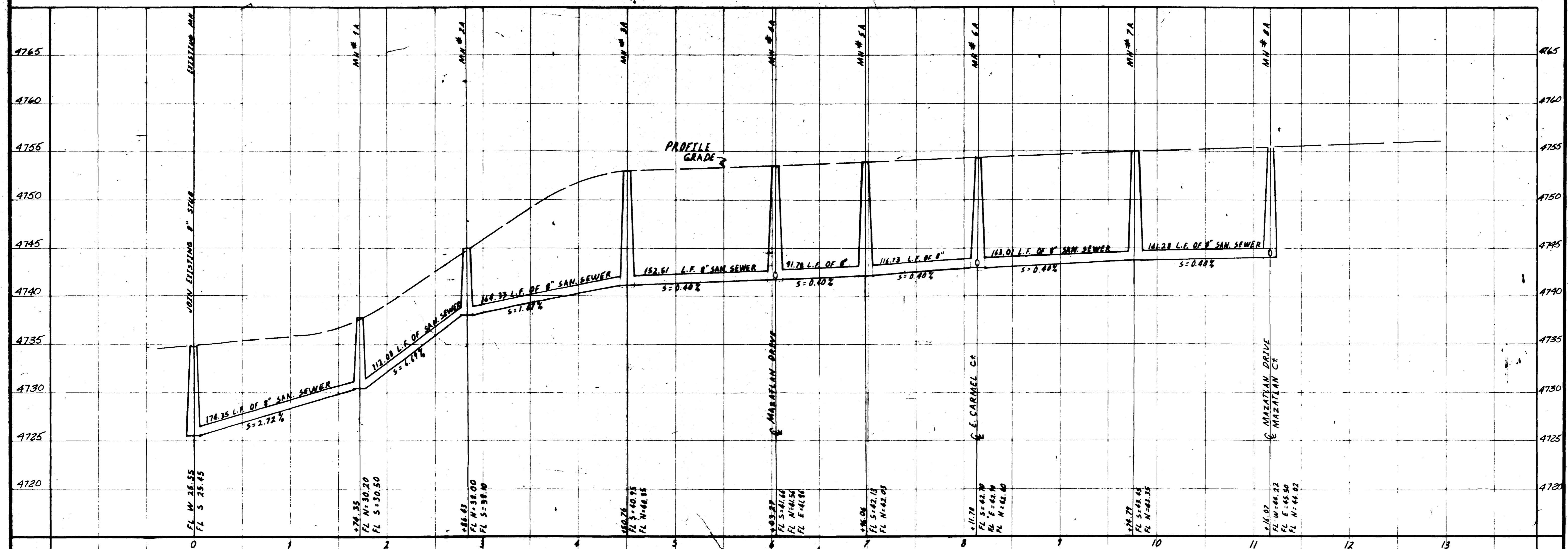
PARADISE HILLS
FILING NO. SIX
MESA COUNTY, COLORADO
SAN SEWER DETAILS

CHECKED	
DATE	MAY 1979
SCALE	1" = 5' VERT 1" = 30' HORIZ.
REVISIONS	BY

PARAGON ENGINEERING, INC.
 P.O. Box 2872
 2445 Junction, Colorado Springs, CO 80901
 303-431-8888



PARADISE HILLS
 FILING NO. 514
 MESA COUNTY, COLORADO
 SEWER PROFILES



AS BUILT DRAWINGS

CHECKED
DATE
MAY 1979
SCALE
1" = 5' VERT.
1" = 50' HORIZ.
REVISIONS
OCT. 22, 1979 LDK
FEB. 25, 1980 GDS

PARAGON ENGINEERING, INC.
 P.O. Box 2872
 Grand Junction, Colorado 81501



PARADISE HILLS
 FILING NO. SIX
 MESA COUNTY, COLORADO
 SEWER PROFILES

