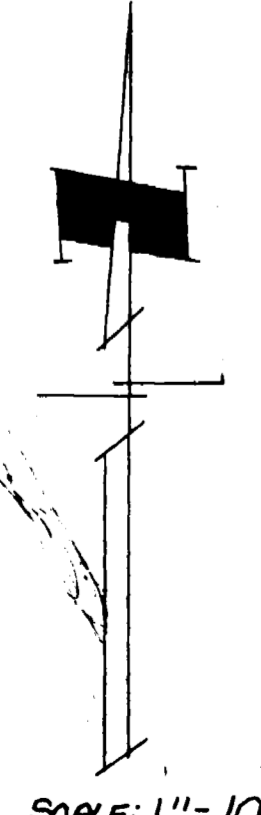


SEWER QUANTITIES
 2210.00 L.F. 8" SANITARY SEWER
 10 STANDARD MANHOLES
 17 SERVICE LATERALS

WATER QUANTITIES
 29210.00 L.F. 8" A.C. WATER MAIN
 6-8" GATE VALVE
 7 FIRE HYDRANTS W/ 6" VALVE + WATER LINE
 9-4" SERVICE CONNECTIONS
 4-2" SERVICE CONNECTIONS



LEGEND

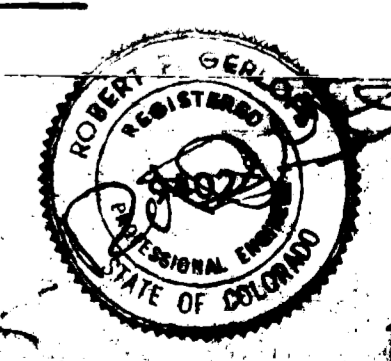
- EXISTING GATE VALVE
- THRUST BLOCK
- PROPOSED GATE VALVE
- FIRE HYDRANT PROPOSED
- EXISTING FIRE HYDRANT
- AIR/VACUUM RELIEF VALVE

NOTES:

1. ALL CONSTRUCTION TO BE DONE IN ACCORDANCE WITH THE CITY OF GRAND JUNCTION SPECIFICATIONS.
2. TOP OF ECCENTRIC CONE TO BE SET AT TOP OF SUBGRADE (STREET CONTRACTOR TO SET RIMS TO FINISH GRADE).
3. SEWER SERVICES AS SHOWN ARE INTENDED TO BE LOCATED 5' DOWNSTREAM FROM CENTER OF LOTS AND SHALL EXTEND 10 FEET BEYOND THE PROPERTY LINE.
4. SEWER SERVICES AND WATER SERVICES TO BE A MINIMUM OF 10' SEPERATION.

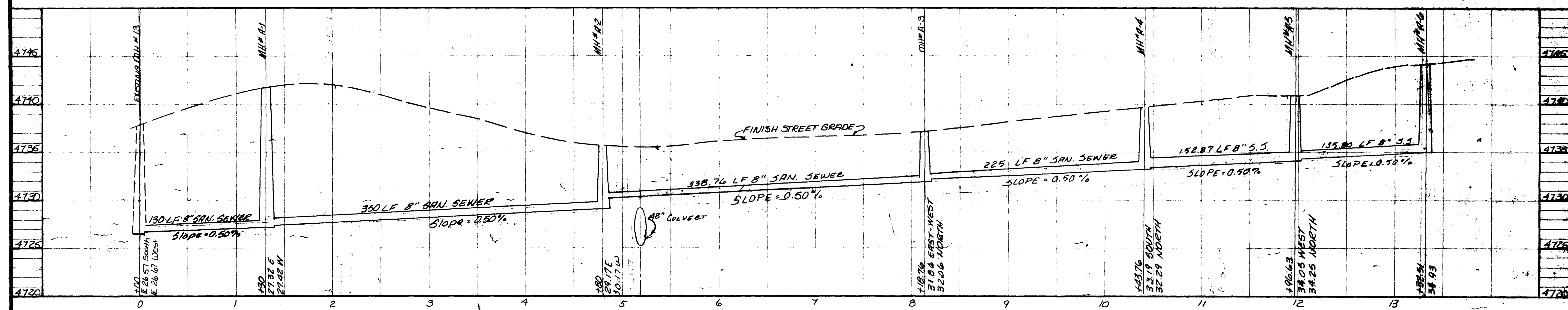
A final inspection determined that infiltration does not exceed 200 gallons per inch diameter per mile of length per day.

AS BUILT DRAWINGS

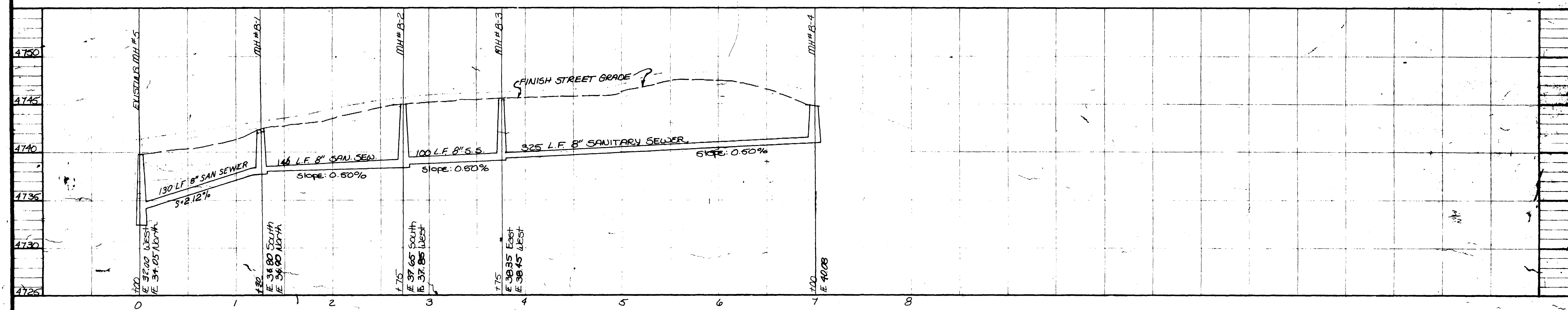


APPROVED: _____ DATE: _____
 GRAND JUNCTION CITY ENGINEERING

PARAGON ENGINEERING INC. Engineering Consultants
 5115 Joplin Ave. Suite 300, Grand Junction, CO 81505
 PHONE 248-1111 FAX 248-1112
 STATE OF COLORADO WEST SECTION 33 CITY OF GRAND JUNCTION

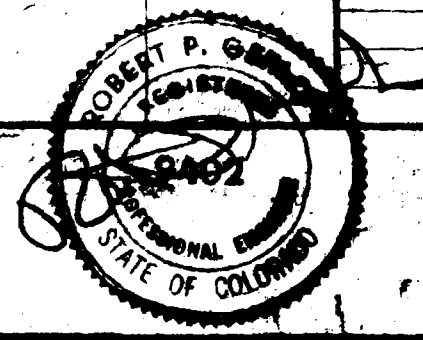


LINE "A"



LINE "B" (COMPASS DRIVE)

AS BUILT DRAWINGS



PARAGON ENGINEERING, INC.
 Engineering Consultants
 801 404 8878 • GRAND JUNCTION, COLORADO • NEW • 1985
 DATE: JUNE, 2018
 SCALE: 1" = 5' VERT.
 1" = 50' HORZ.
 REPEAT OF
 COLORADO, COLORADO WEST
 SW 1/4 NE 1/4 SECTION 36
 CITY OF GRAND JUNCTION
 SHEET NO.
 2

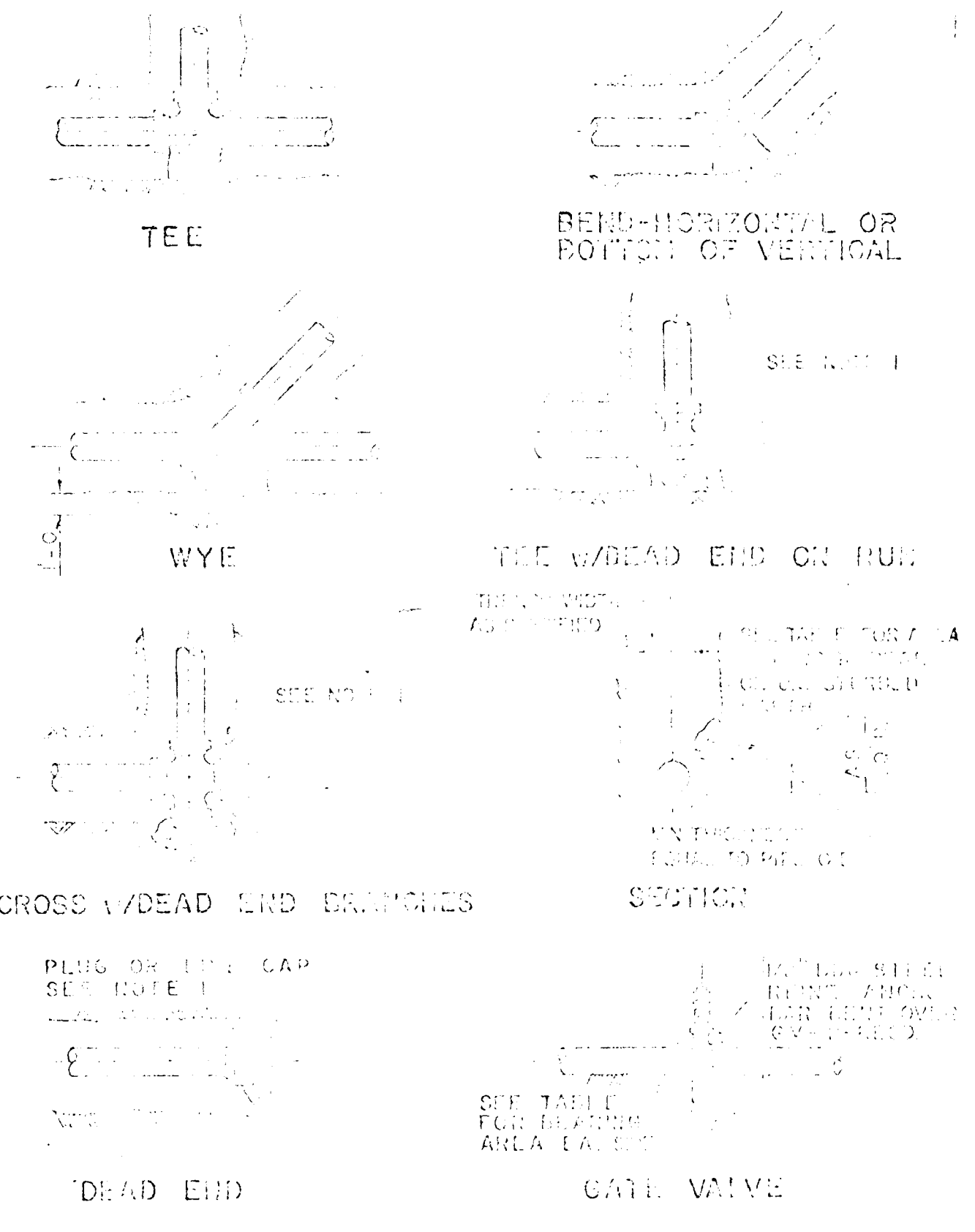
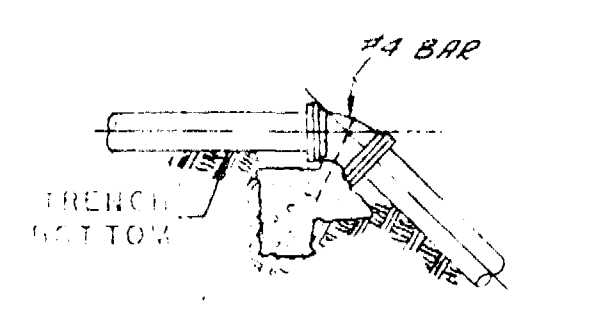


TABLE OF BEARING AREAS IN SQ. FT. FOR CONCRETE THRUST BLOCKING

PIPE SIZE	90°	45°	22 1/2°	11 1/4°	TELS	GATE VALVES	DEAD ENDS
3	1.0	0.6	0.3	0	0.7	0.5	0.7
4	1.6	1.0	0.5	0	1.3	0.5	1.2
6	4.0	2.2	1.1	0	2.8	0.7	2.8
8	7.1	3.7	2.0	1.0	5.0	2.4	5.0
10	11.1	5.9	3.0	1.5	7.8	4.5	7.8
12	16.0	8.6	4.4	2.2	11.3	7.2	11.3



TOP OF VERT. BEND

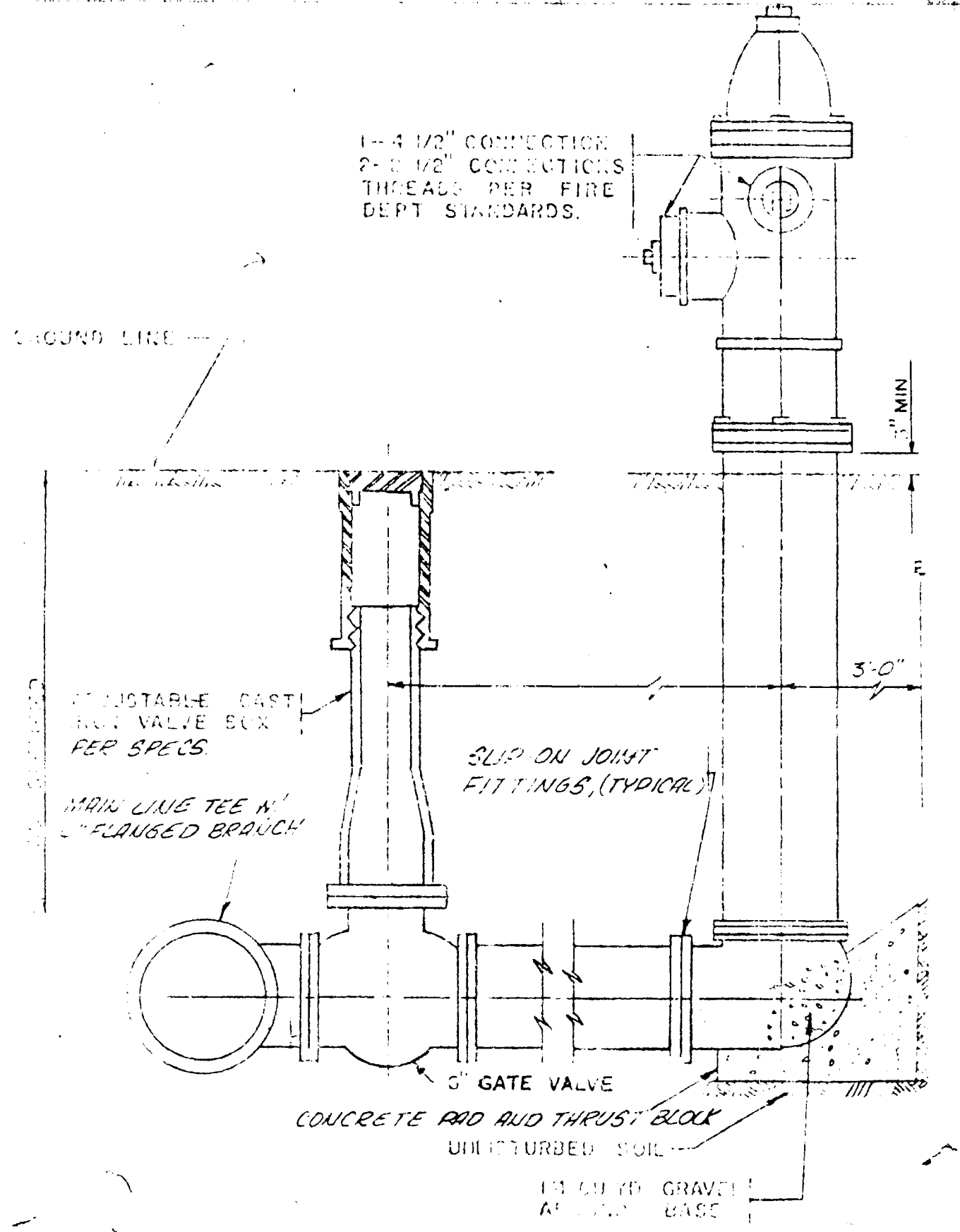
TABLE OF VOLUMES OF CONCRETE (IN CU. FT.)

PIPE SIZE	45°	22 1/2°	11 1/4°
3	1.4	3.8	1.8
4	13.0	6.6	2.4
6	29.2	15.0	7.4
8	52.0	26.4	13.2
10	81.0	41.4	22.6
12	117.0	60.0	29.6

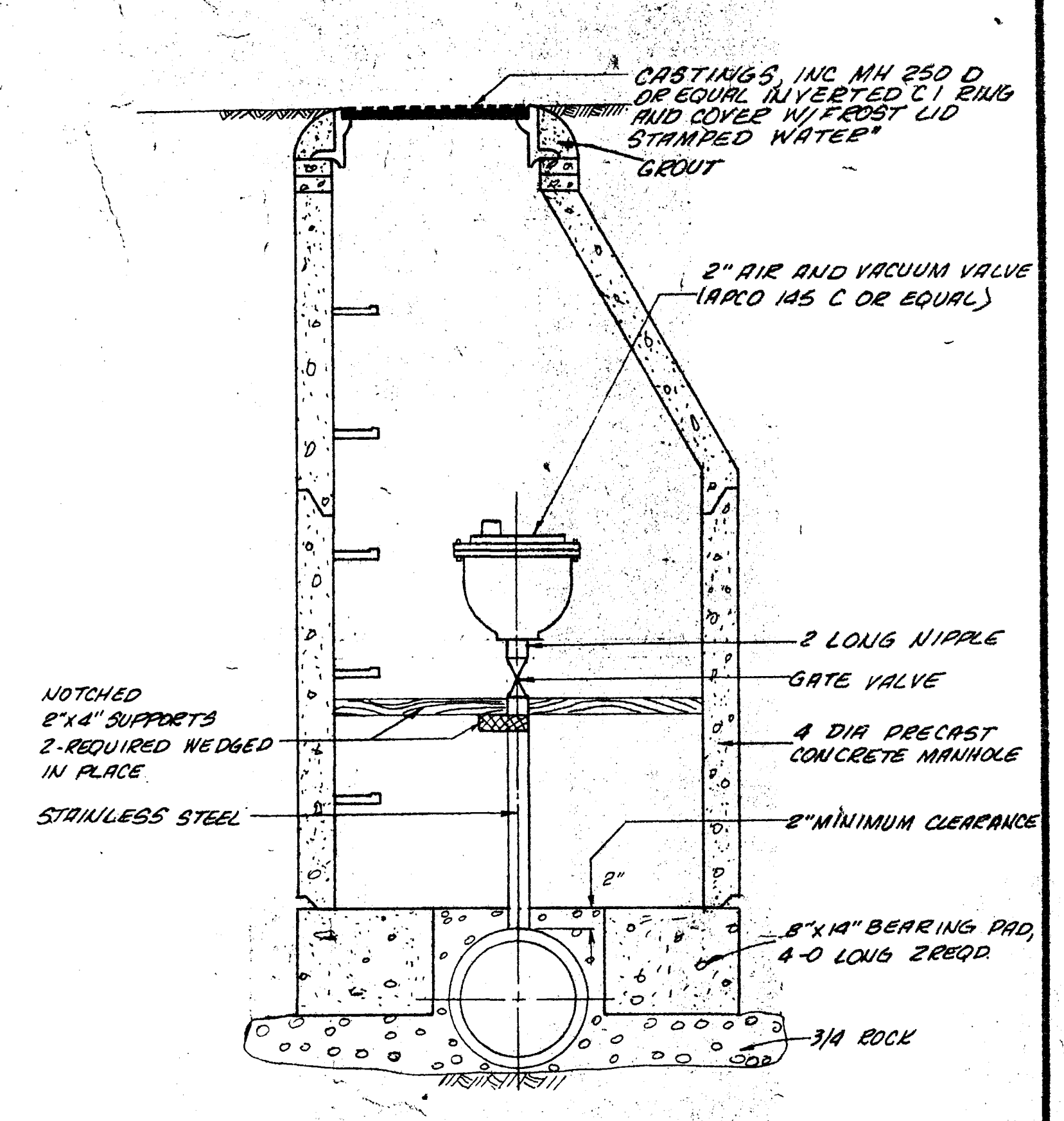
NOTES FOR DRAWINGS

- AT DEAD ENDS, WRAP FITTINGS WITH TAR PAPER, FELT, & HEAVY KRAFT PAPER TO PREVENT MOISTURE BREAK BETWEEN CONCRETE AND FITTING.
- ALL THRUST BLOCKING SHALL BE CAST IN PLACE, CONCRETE SHALL BE A MINIMUM YIELD STRENGTH OF 2000 PSI.
- THRUST BLOCKING SHALL BE CAST AGAINST UNDISTURBED EARTH (OR) SHALL BE CAST INTO EXISTING TRENCH TO OBTAIN PROPER CONTACT AND TO PREVENT THE FITTINGS FROM MOVING. THE FITTINGS SHOULD NOT BE ALLOWED TO OVER THE JOINTS OF THE PIPE.

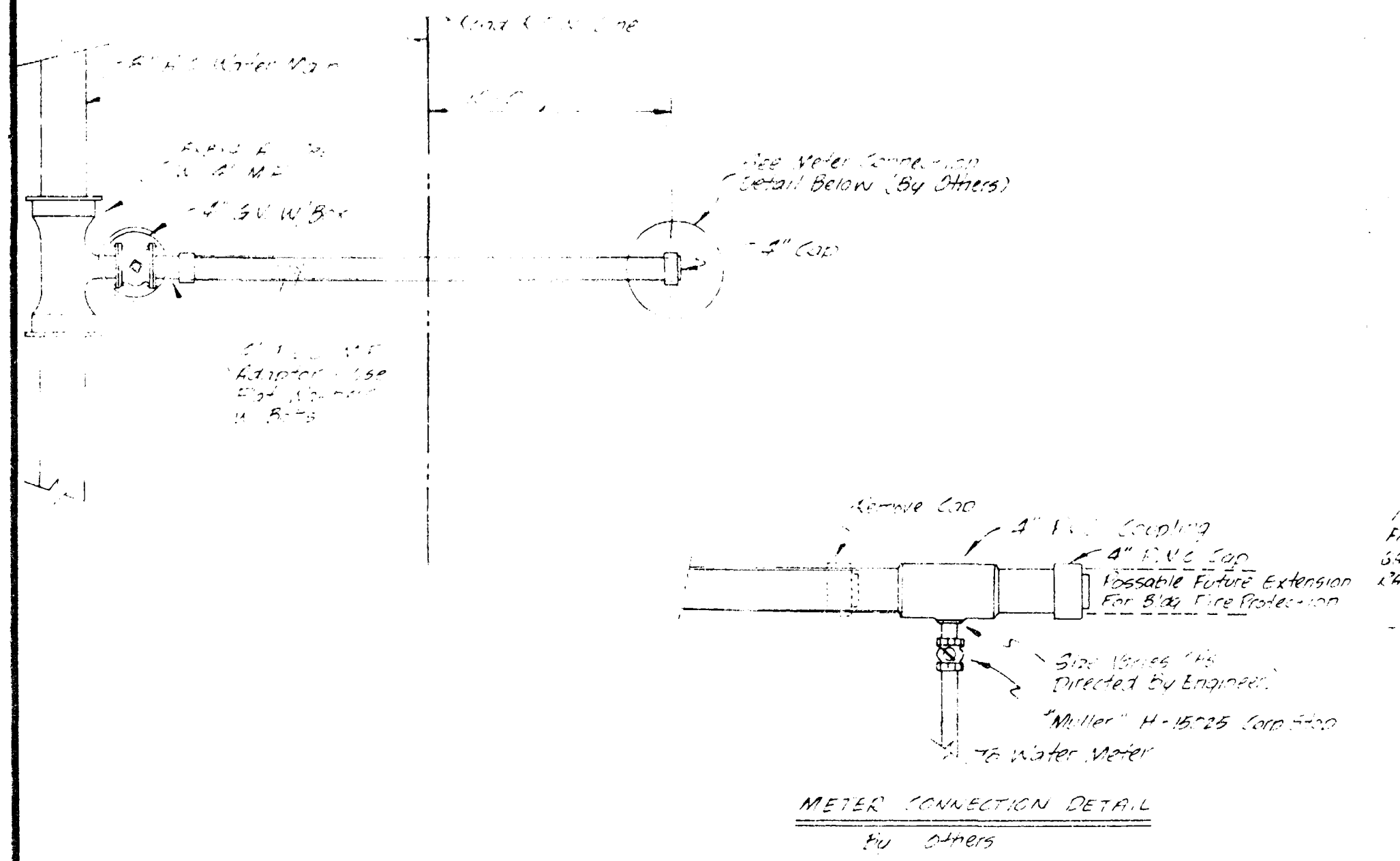
THRUST BLOCK DETAILS



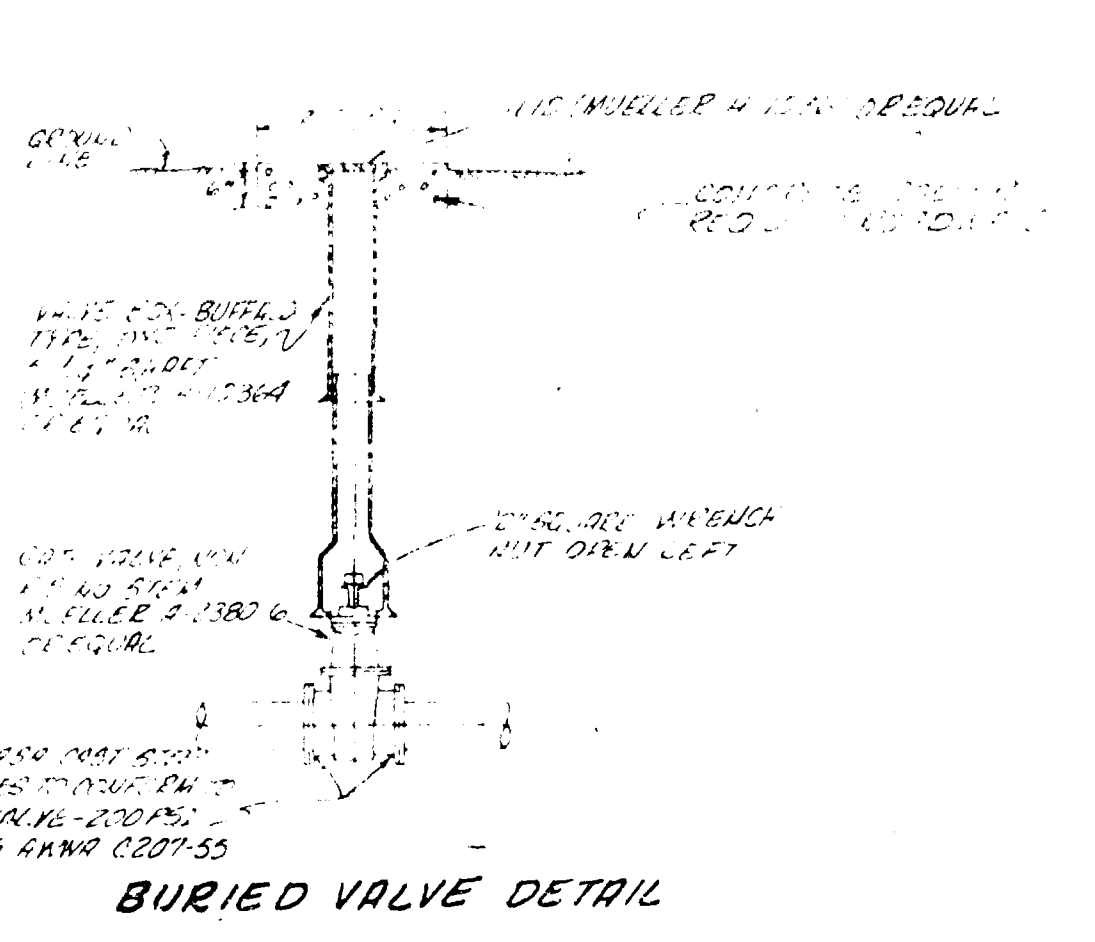
FIRE HYDRANT DETAIL



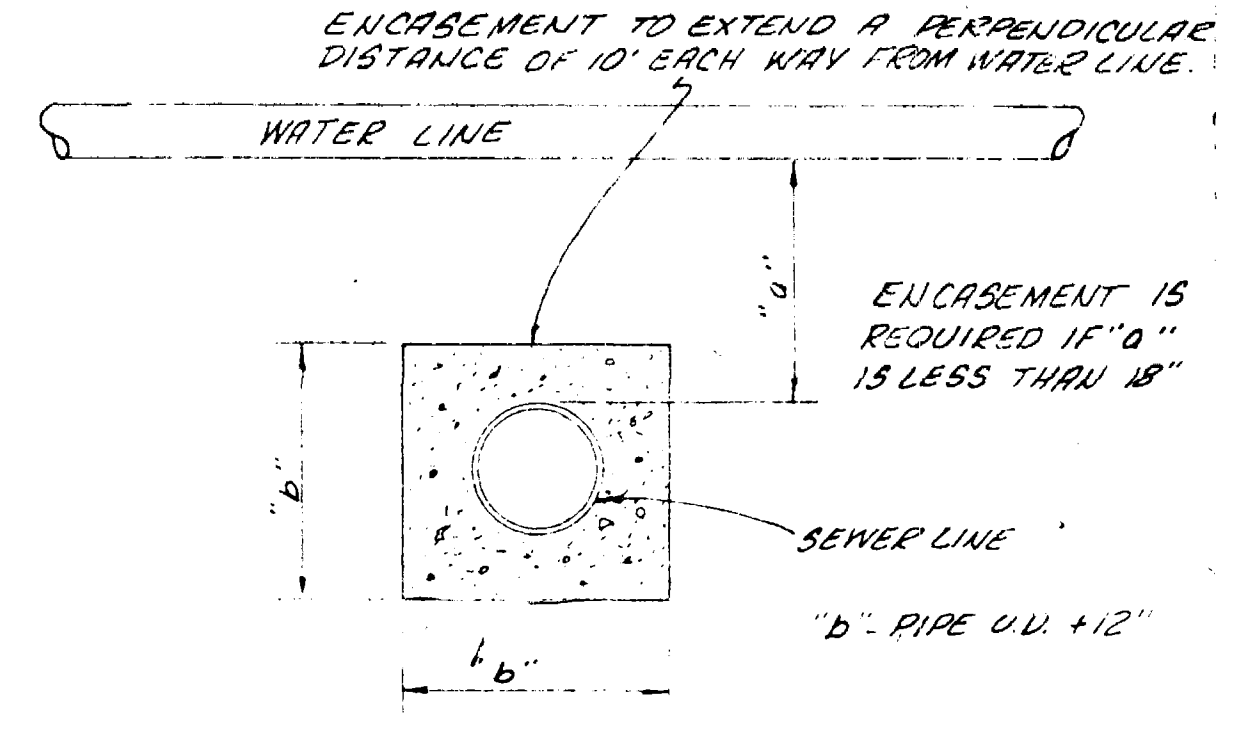
COMBINATION AIR/VACUUM VALVE



SERVICE CONNECTION DETAIL



SEWER LINE ENCASEMENT DETAIL



AS BUILT DRAWINGS



DATE: APR. 1977
SCALE: NONE
WATER DETAILS
REPLAT. OF: CROSSROADS COLORADO WEST SW 1/4 NE 1/4 SECTION 39 CITY OF GRAND JUNCTION
PARAGON ENGINEERING INC
Engineering Consultants
P. BOX 287 GRAND JUNCTION COLORADO 81506
PHONE 243 8966