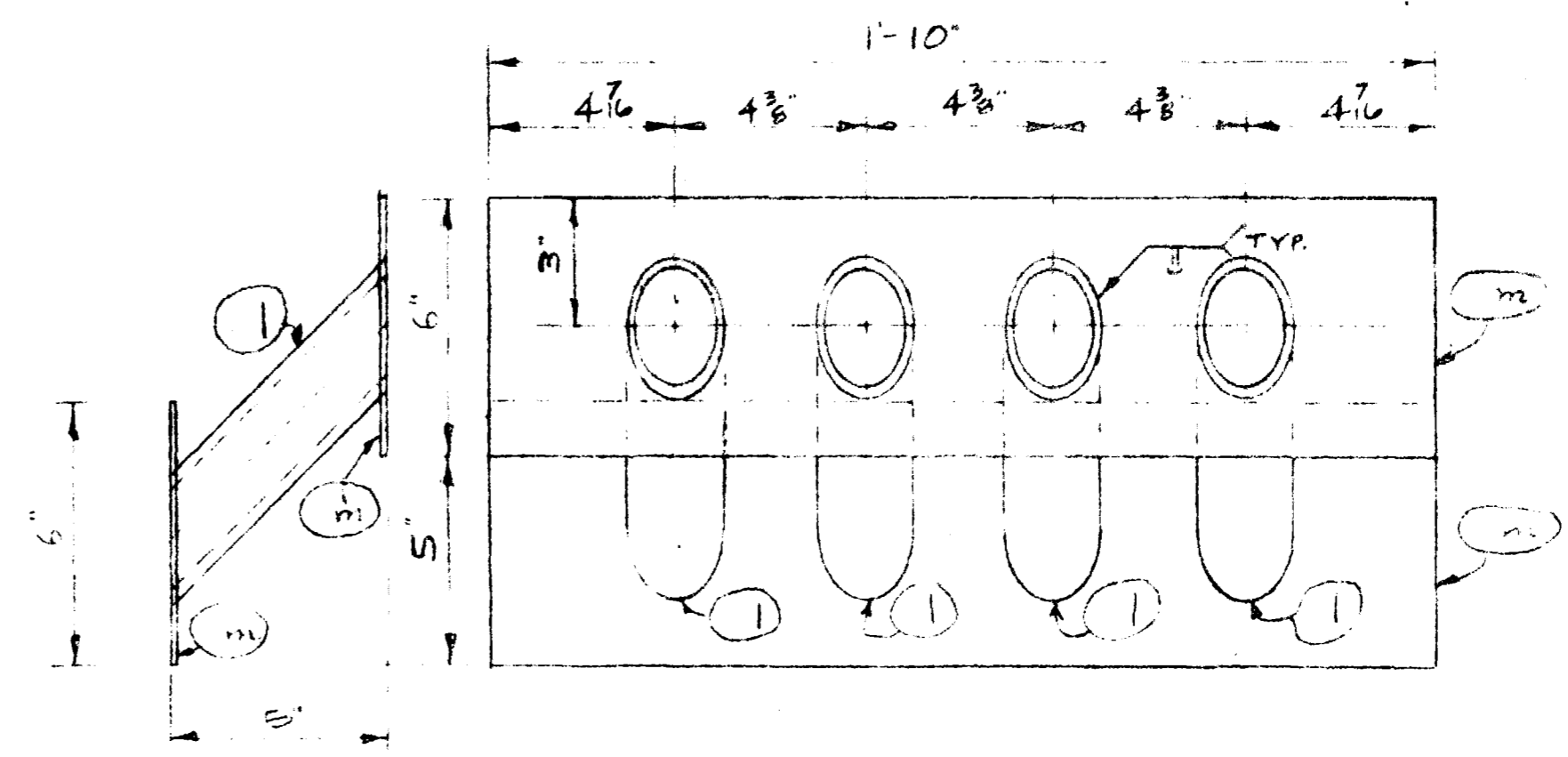
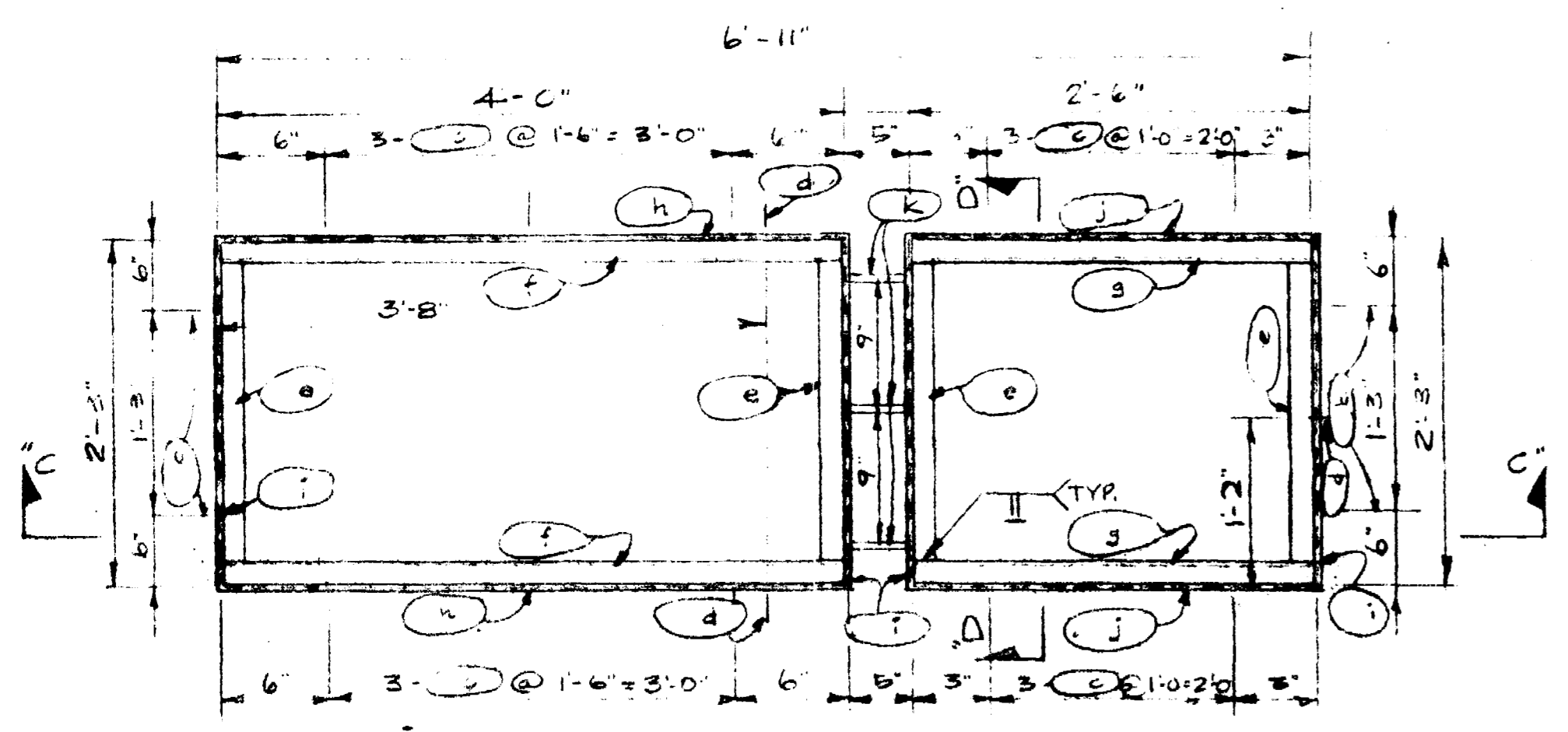


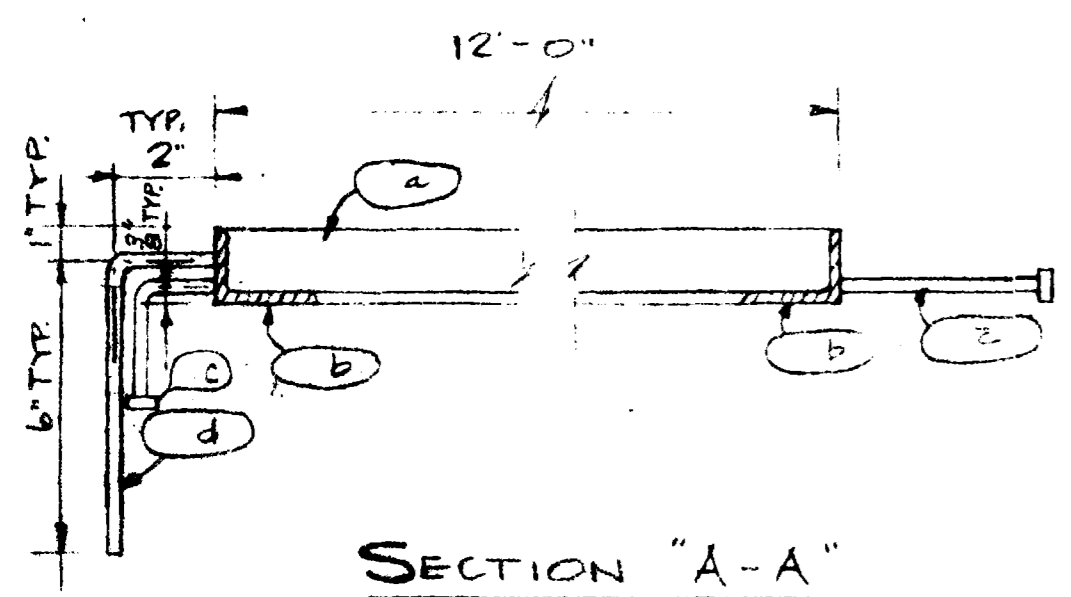
ANGLE FRAME MK A ONE REQ'D.



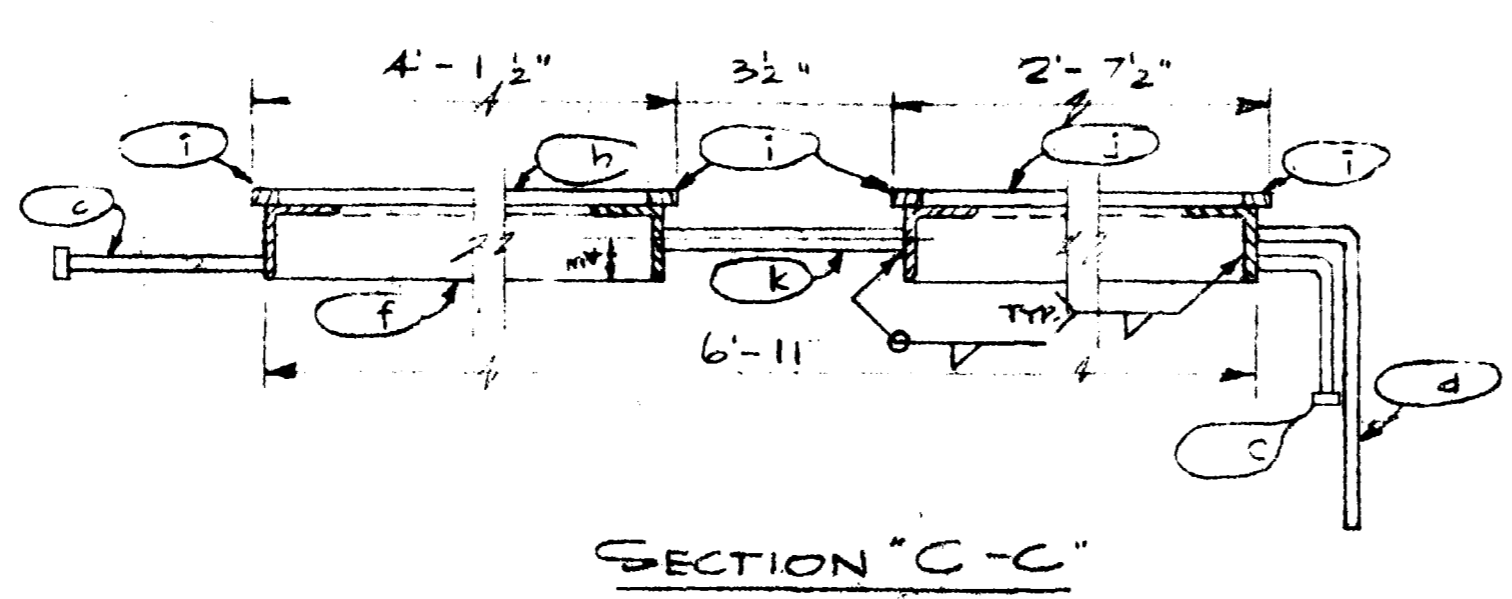
PIPE FRAME - MK G - 2 REQ'D.



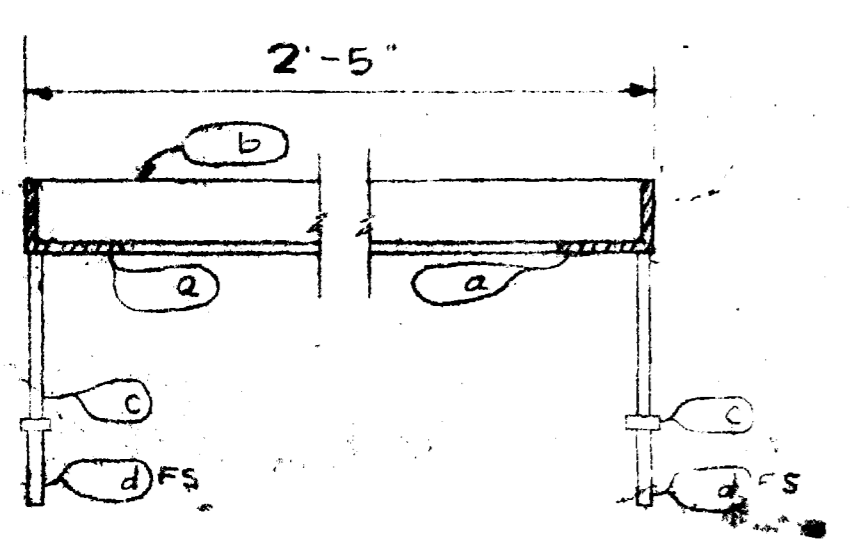
ANGLE FRAME MK B ONE REQ'D.



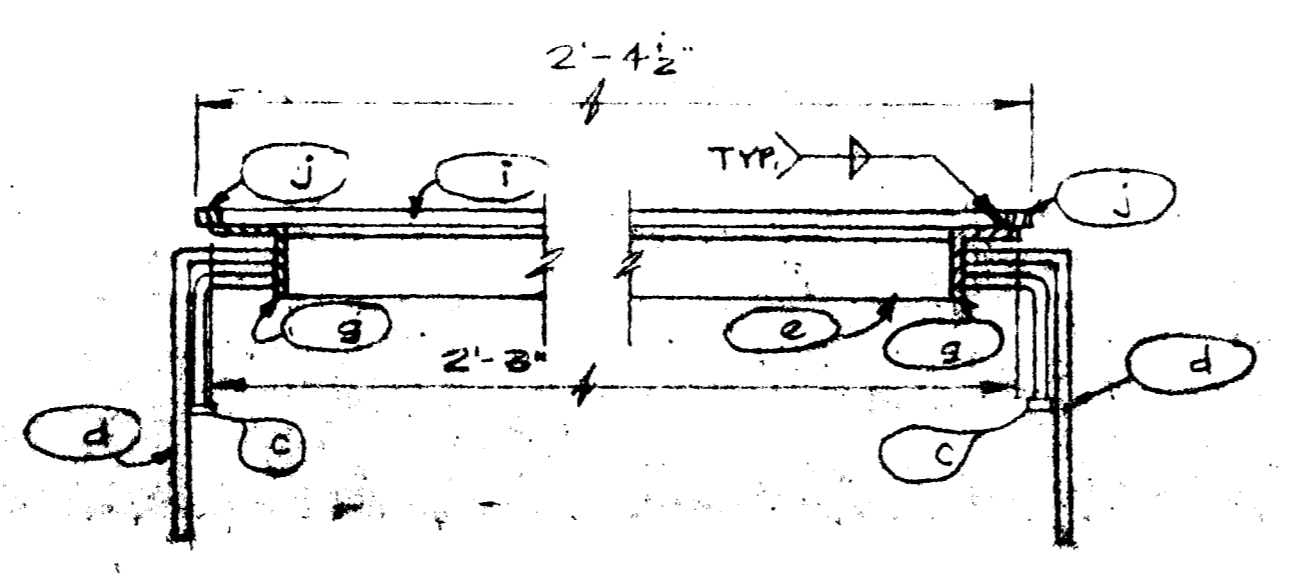
SECTION "A-A"



SECTION "C-C"



SECTION "B-B"



SECTION "D-D"

NO. PER UNIT	NO. PER UNIT	PIECE MARK	DESCRIPTION	LENGTH		REMARKS
				FT.	IN.	
ONE			ANGLE FRAME MK			
2	2	a	L 2 1/2 x 1 1/2 x 1/4	12	0	
2	2	b	L 2 1/2 x 1 1/2 x 1/4	2	4	
36	20	c	#4 NELSON STUD	0	4	
8	8	d	#4 BAR	0	8	
ONE			ANGLE FRAME MK			
4	4	e	L 1 1/2 x 1 1/2 x 1/4	2	3	
2	2	f	L 1 1/2 x 1 1/2 x 1/4	4	0	
2	2	g	do	2	8	
2	2	h	3/8 x 1 BAR	4	1 1/2	
4	4	i	do	2	2 1/2	
2	2	j	do	2	7 1/2	
1	3	d	#4 BAR	0	8	
3	3	k	#6 BAR	0	8	
1	16	c	#4 NELSON STUD	0	4	
3	3		GRATES MK			
3	3		36" x (14 x 3/8) BB	2	4	2-3' LENGTH BRACING BAR
1	1		GRATE MK			
1	1		34" x (14 x 3/8) BB	2	4	2-3' LENGTH BRACING BAR
ONE			PLATE MK			
1	1		26 x 3/8 CHK PL	2	8	
ONE			PLATE MK			
1	1		26 x 3/8 CHK PL	3	11	
2	2		PIPE FRAMES MK			
8	4	1	2" STD PIPE	0	9 1/2	
4	2	m	6" x 10ga	1	10	

HOLDERS: UNLESS NOTED FAB. SPEC.

SHOP PAINT:

DESCRIPTION: SAND & GREASE TRAP

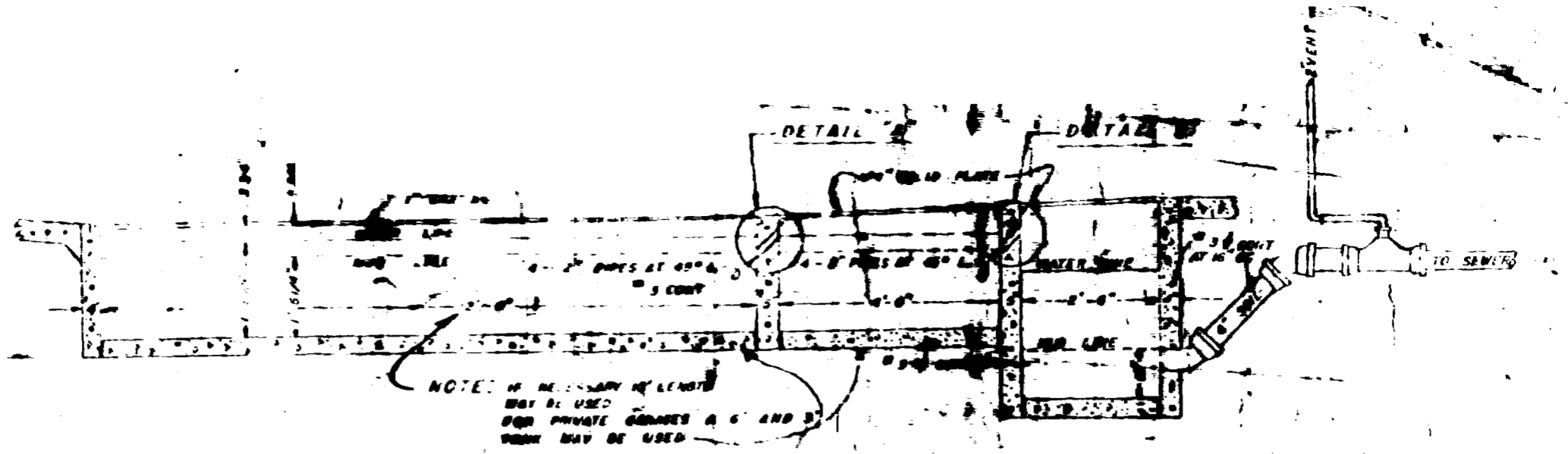
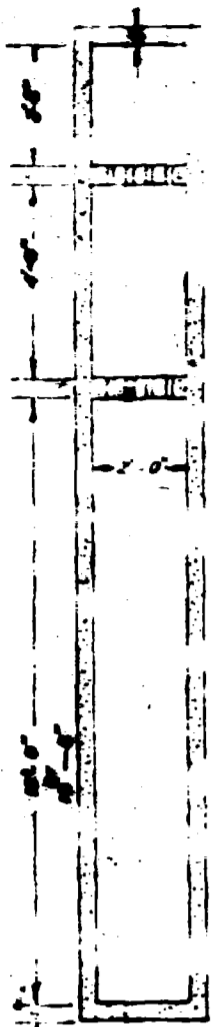
STRUCTURE: CITY OF GRAND JUNCTION SAND & GREASE TRAP

LOCATION:

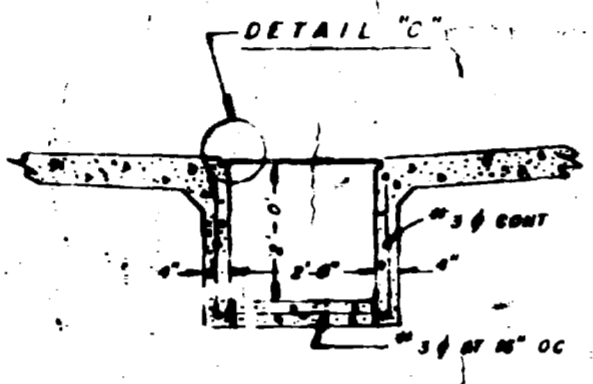
CITY OF GRAND JUNCTION

GRAND JUNCTION

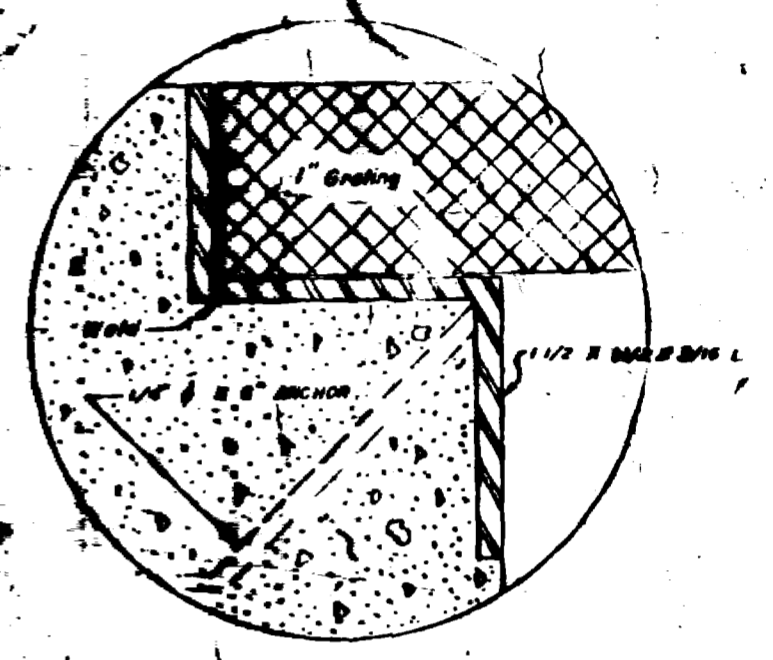
DATE: 8-3-72



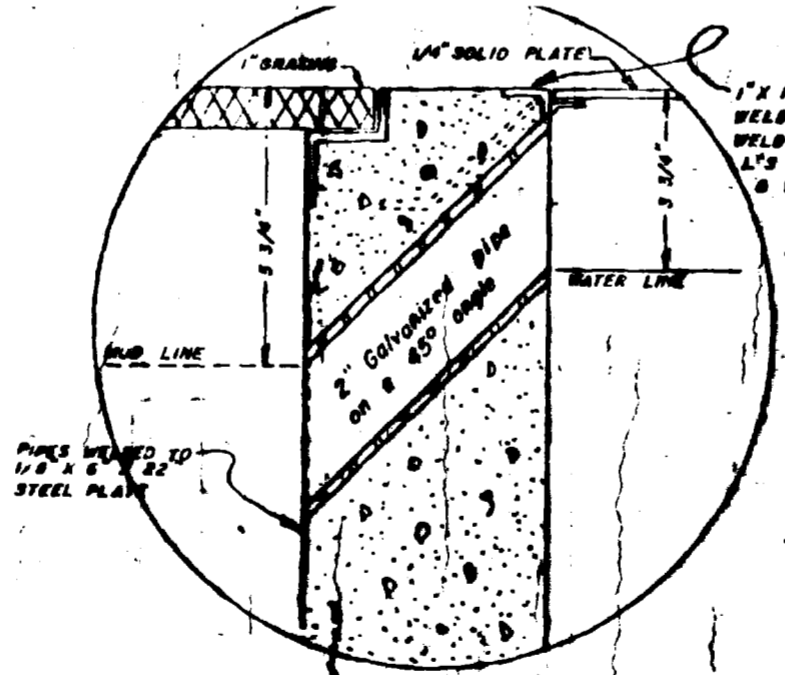
LONGITUDINAL SECTION THRU MUD PIT
SCALE 3/8" = 1'-0"



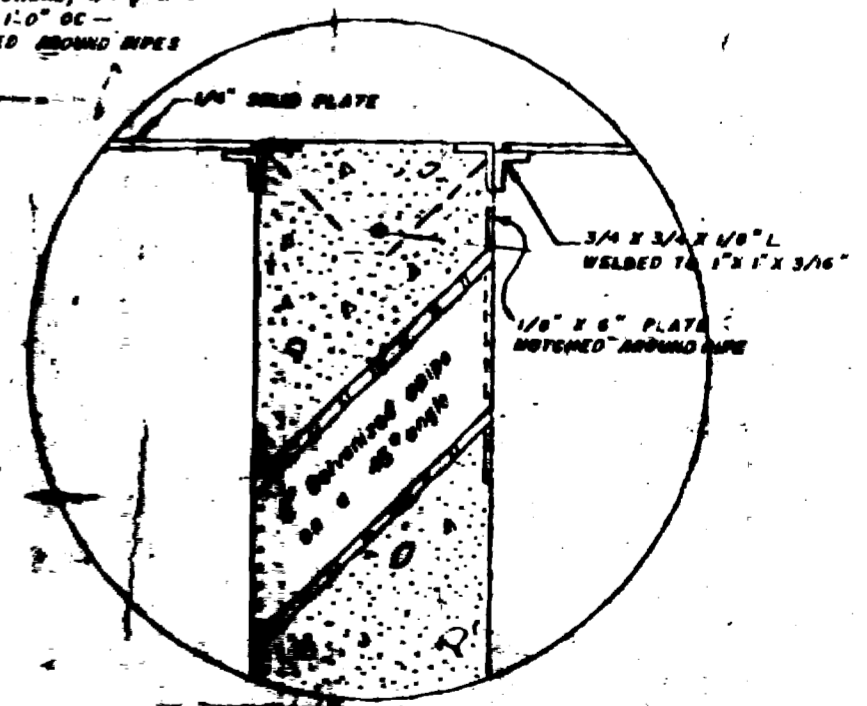
CROSS SECTION



DETAIL 'C'



DETAIL 'A'



DETAIL 'B'

SAND & GREASE TRAP
by
City of Grand Junction
Revised 1958