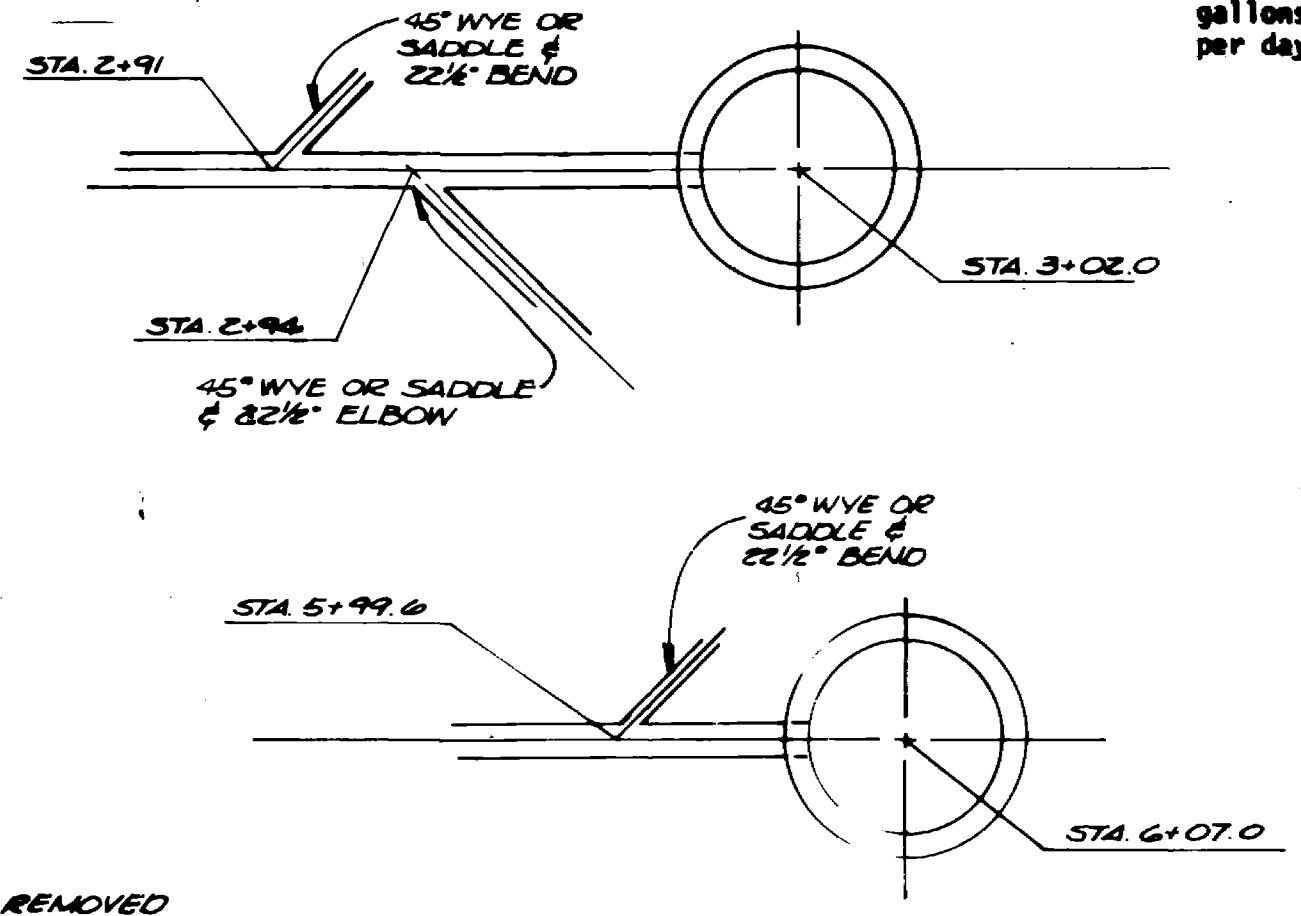
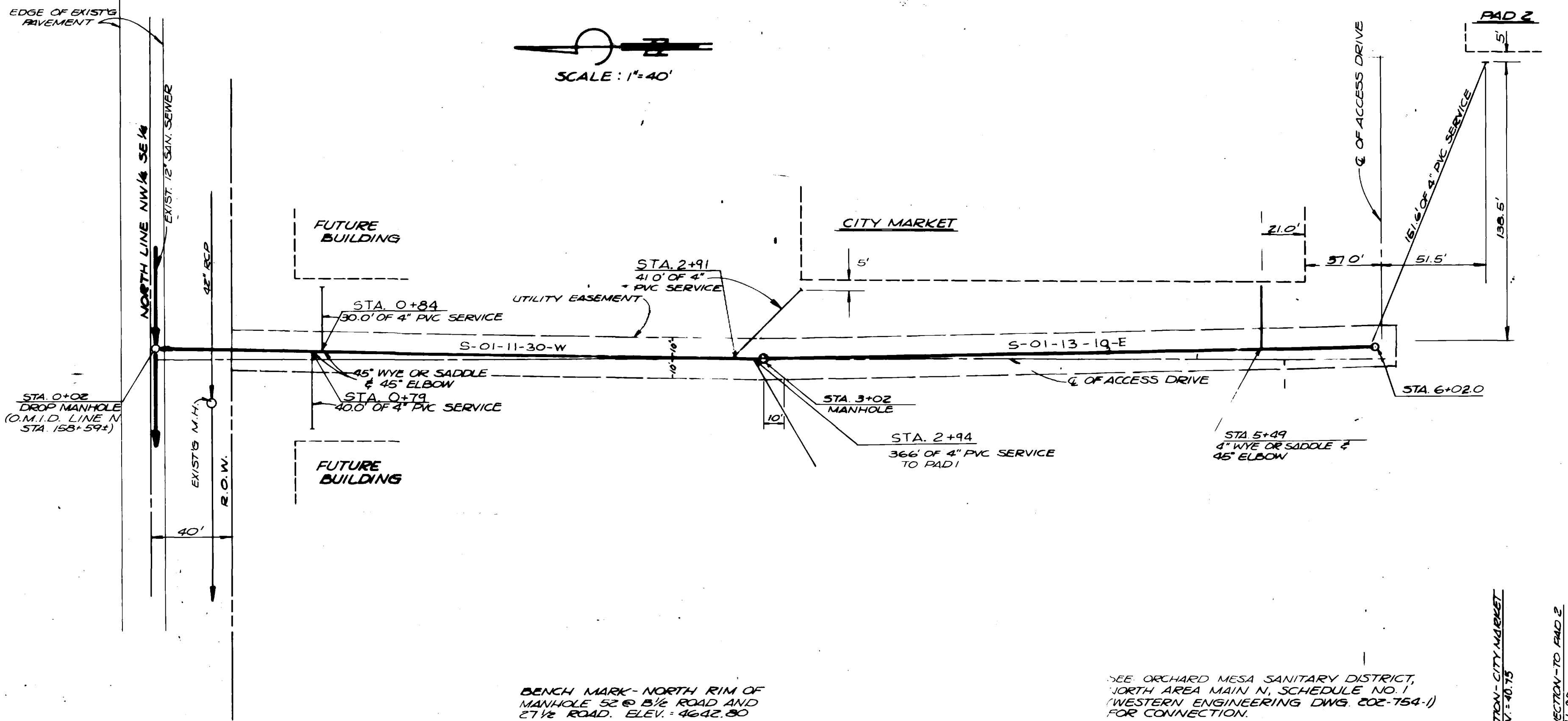
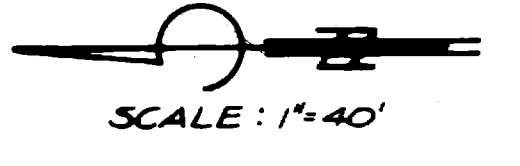


ALL CONSTRUCTION SHALL BE IN ACCORDANCE WITH CITY OF GRAND JUNCTION STANDARD SPECIFICATIONS FOR CONSTRUCTION OF WATER LINES, SANITARY SEWERS, STORM DRAINAGE AND IRRIGATION SYSTEMS AND SHALL CONFORM TO CITY OF GRAND JUNCTION GENERAL CONTRACT CONDITIONS FOR PUBLIC WORKS AND UTILITIES CONSTRUCTION GC-37, GC-50 AND GC-65 AND SHALL CONFORM TO CITY STANDARD DETAILS DRAWING SS-1.

This is to certify that construction of this sanitary sewer system was in accordance with City of Grand Junction Standard Specifications for construction of sanitary sewer and the system infiltration does not exceed 200 gallons per inch diameter per mile of length per day.

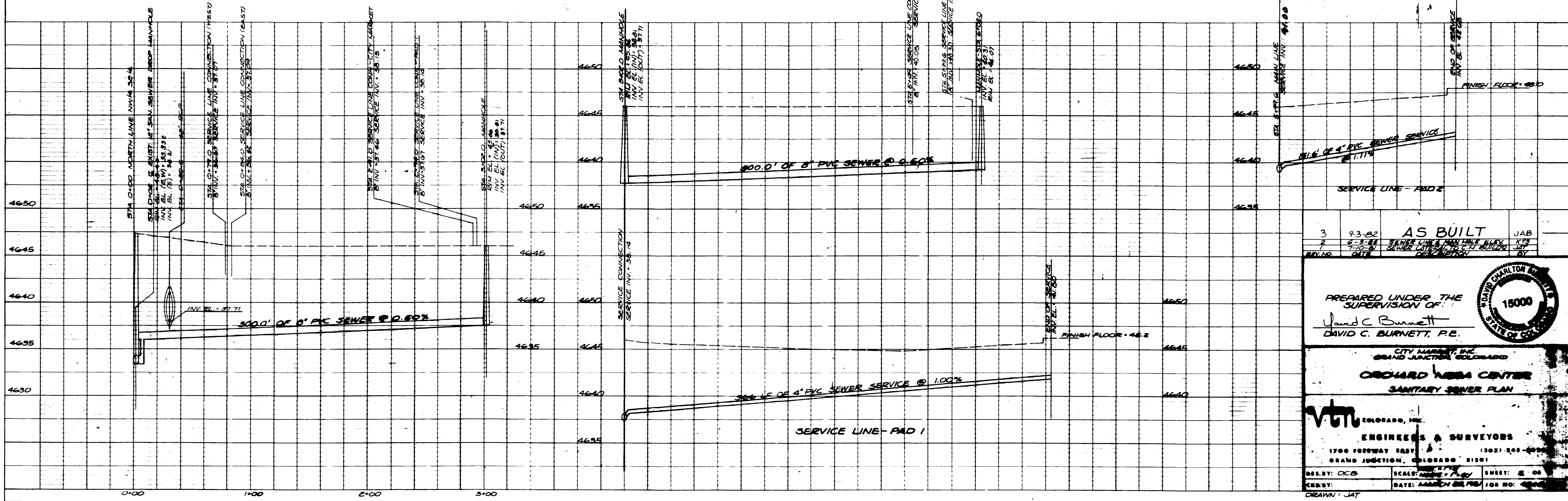
David C. Burnett
David C. Burnett, P.E.
10/26/82



BENCH MARK- NORTH RIM OF MANHOLE 52 @ B 1/2 ROAD AND C 1/2 ROAD. ELEV. = 4642.80

SEE ORCHARD MESA SANITARY DISTRICT, NORTH AREA MAIN N. SCHEDULE NO. 1 (WESTERN ENGINEERING DWG 202-754-1) FOR CONNECTION.

NOTES:
1. ANY PAVEMENT REMOVED IN 8 1/2" ROAD MUST BE REPLACED IN-KIND.



3	9-3-82	AS BUILT	JAB
2	9-3-82	SEWER LINE FROM PLAN BUILD	KFB
1	9-3-82	SEWER LINE FROM PLAN BUILD	KFB
REV. NO.	DATE	DESCRIPTION	BY

PREPARED UNDER THE SUPERVISION OF:
David C. Burnett
DAVID C. BURNETT, P.E.

CITY MARKET, INC.
GRAND JUNCTION, COLORADO

ORCHARD MESA CENTER
SANITARY SEWER PLAN



VTC COLORADO, INC.
ENGINEERS & SURVEYORS
1700 FOREWAY EAST (303) 243-4000
GRAND JUNCTION, COLORADO 81501

DES. BY: DCB
SCALE: AS SHOWN
SHEET: 2 OF 2

DRAWN: JAT