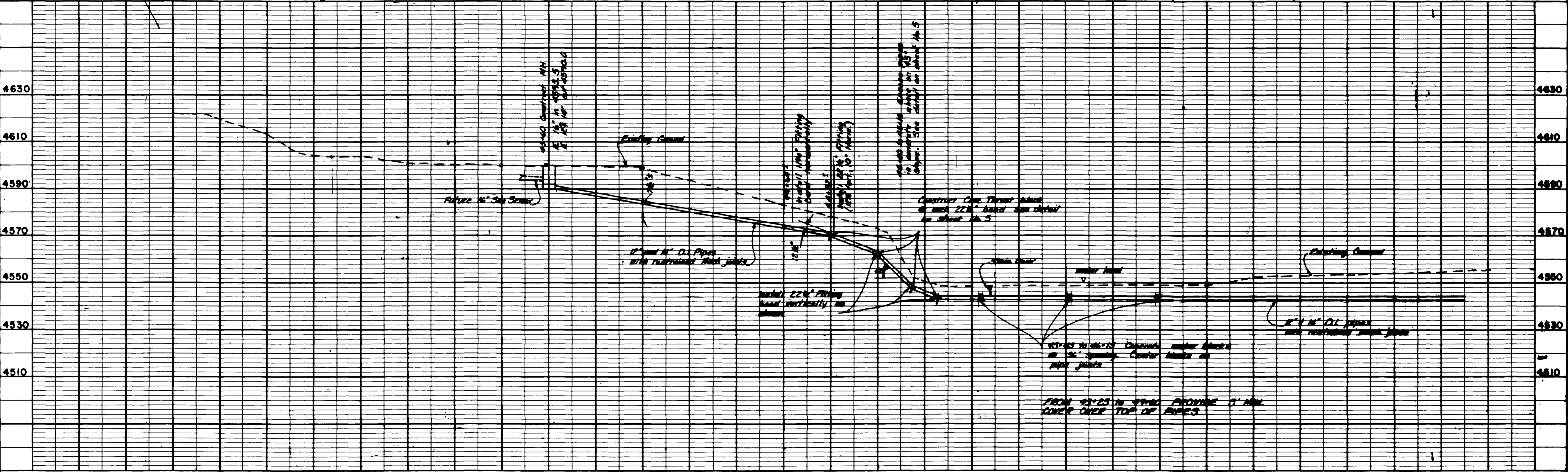
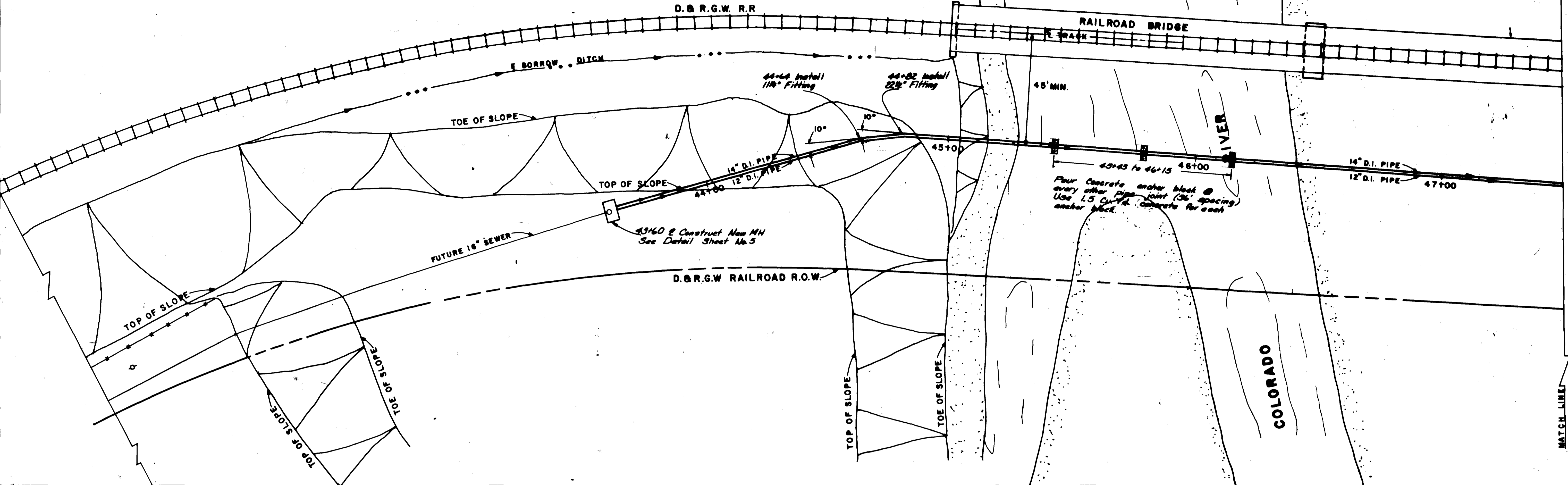
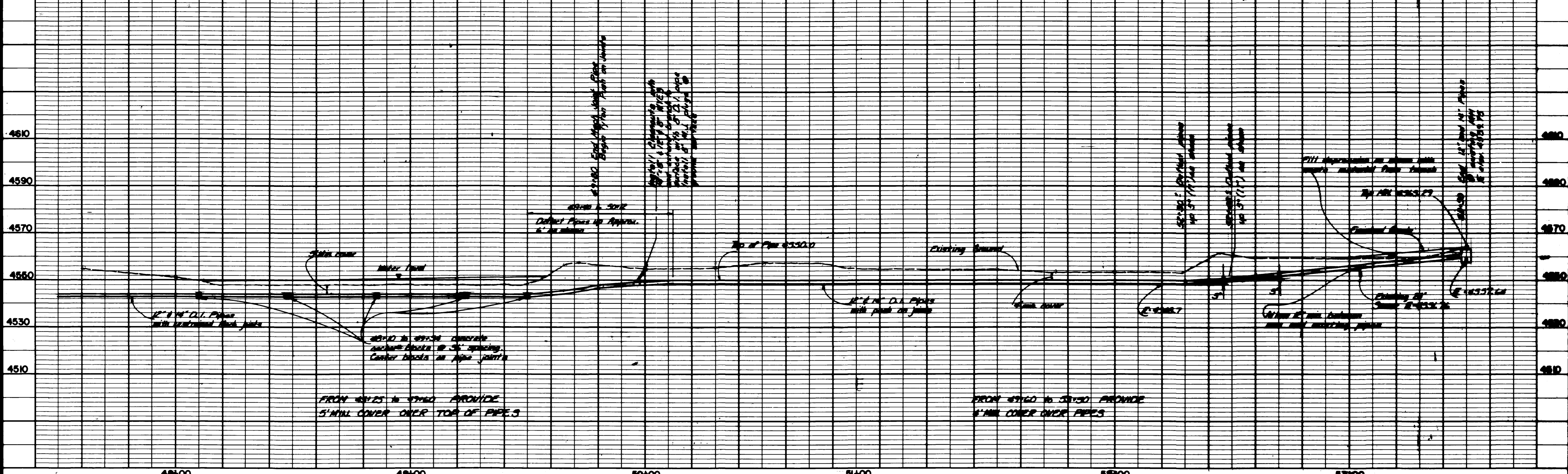
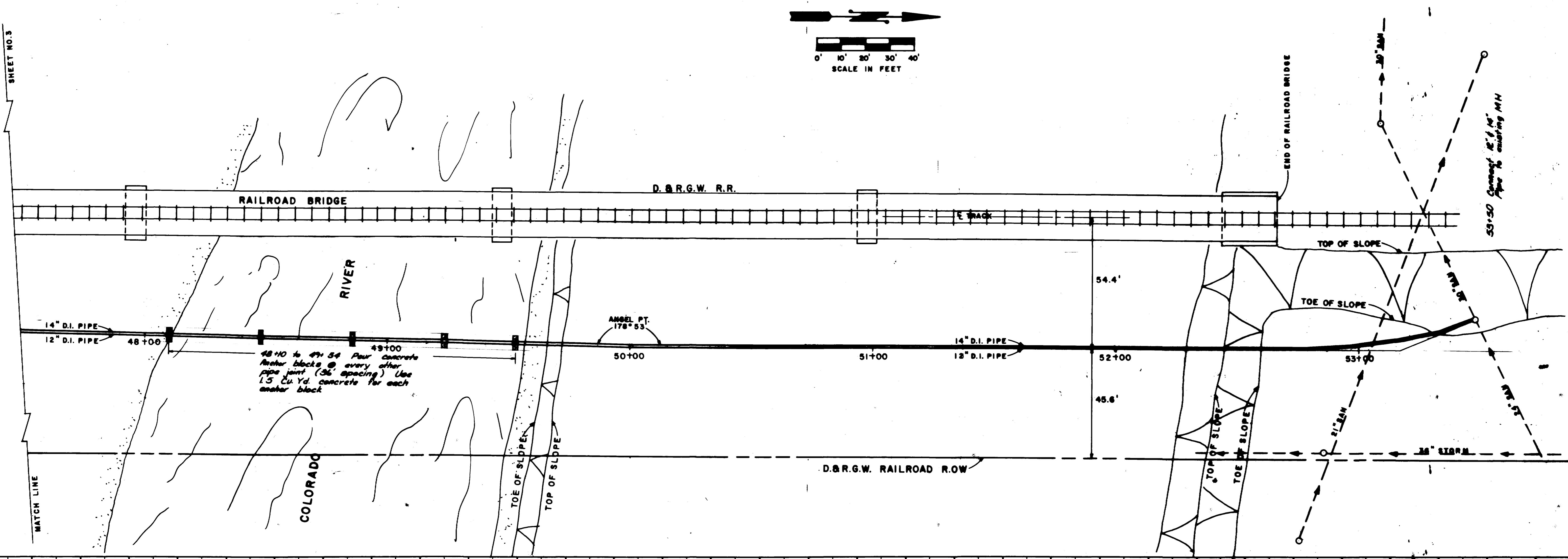
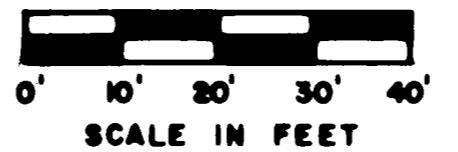


SHEET NO. 3

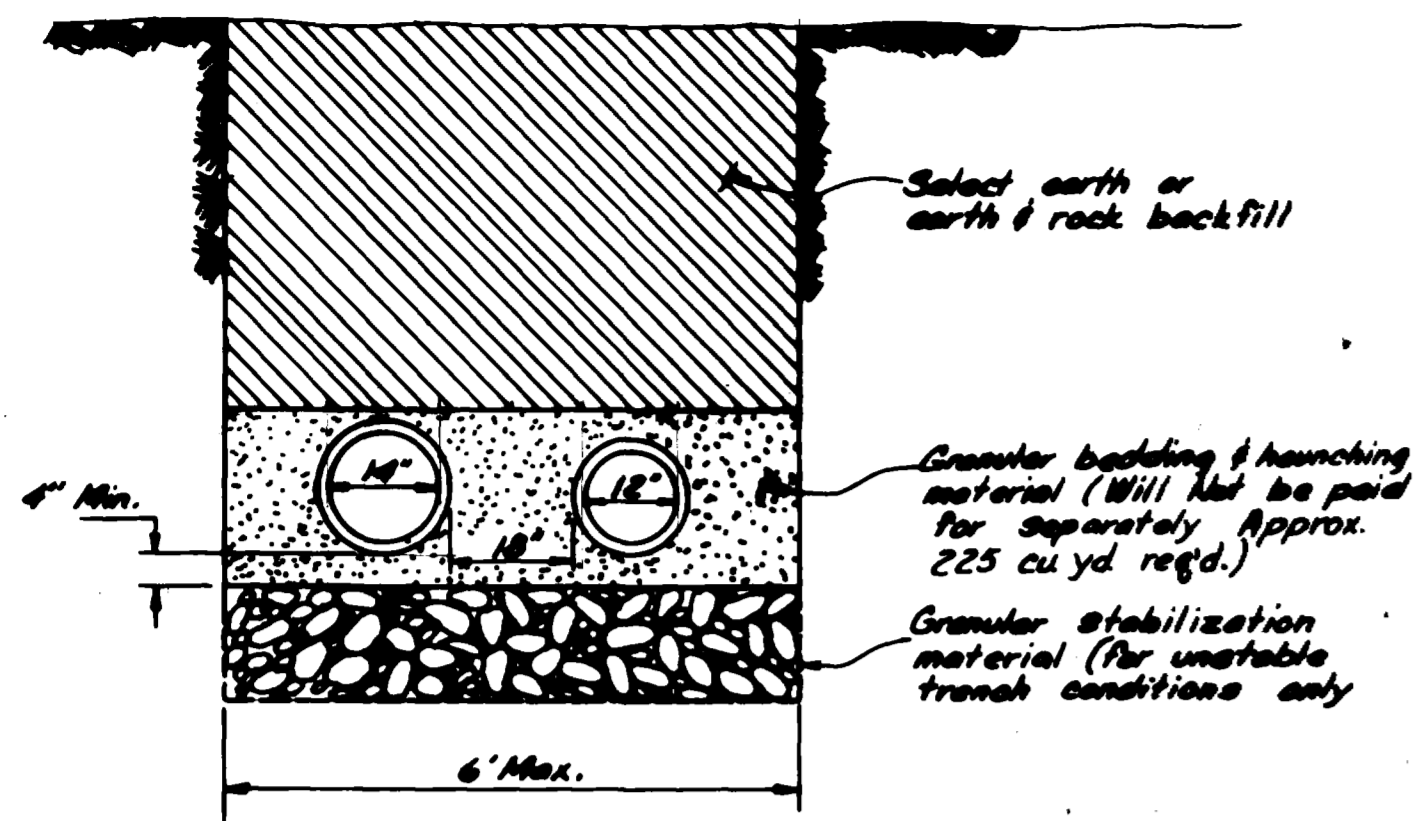


	42+00	43+00	44+00	45+00	46+00	47+00																					
<table border="1" style="width: 100%; border-collapse: collapse;"> <tr> <th style="width: 50%;">DESCRIPTION</th> <th style="width: 50%;">DATE</th> </tr> <tr> <td>REVISION A APPENDUM I</td> <td>3-6-81</td> </tr> <tr> <td>REVISION B</td> <td></td> </tr> <tr> <td>REVISION C</td> <td></td> </tr> <tr> <td>REVISION D</td> <td></td> </tr> </table>	DESCRIPTION	DATE	REVISION A APPENDUM I	3-6-81	REVISION B		REVISION C		REVISION D		<table border="1" style="width: 100%; border-collapse: collapse;"> <tr> <td style="width: 50%;">DRAWN BY T.L.S.</td> <td style="width: 50%;">DATE 2-18-81</td> </tr> <tr> <td>CHECKED BY T.A.B.</td> <td>DATE 2-23-81</td> </tr> <tr> <td>APPROVED BY J.D.M.</td> <td>DATE 2-23-81</td> </tr> <tr> <td>FIELD BOOK NO. L.L. 11</td> <td>PAGE 108-118</td> </tr> </table>	DRAWN BY T.L.S.	DATE 2-18-81	CHECKED BY T.A.B.	DATE 2-23-81	APPROVED BY J.D.M.	DATE 2-23-81	FIELD BOOK NO. L.L. 11	PAGE 108-118	<table border="1" style="width: 100%; border-collapse: collapse;"> <tr> <th colspan="2">SCALE</th> </tr> <tr> <td style="width: 50%;">PLAN 1" = 20'</td> <td style="width: 50%;">PROFILE HORIZ. 1" = 20' VERT. 1" = 20'</td> </tr> </table>	SCALE		PLAN 1" = 20'	PROFILE HORIZ. 1" = 20' VERT. 1" = 20'	<p>DEPARTMENT OF PUBLIC WORKS AND UTILITIES ENGINEERING DIVISION CITY OF GRAND JUNCTION, COLORADO</p>	<p>ORCHARD MESA SANITARY SEWER RIVER CROSSING CONSTRUCTION PLAN & PROFILE</p>	<p>SHEET NO. 3 OF FILE NO.</p>
DESCRIPTION	DATE																										
REVISION A APPENDUM I	3-6-81																										
REVISION B																											
REVISION C																											
REVISION D																											
DRAWN BY T.L.S.	DATE 2-18-81																										
CHECKED BY T.A.B.	DATE 2-23-81																										
APPROVED BY J.D.M.	DATE 2-23-81																										
FIELD BOOK NO. L.L. 11	PAGE 108-118																										
SCALE																											
PLAN 1" = 20'	PROFILE HORIZ. 1" = 20' VERT. 1" = 20'																										

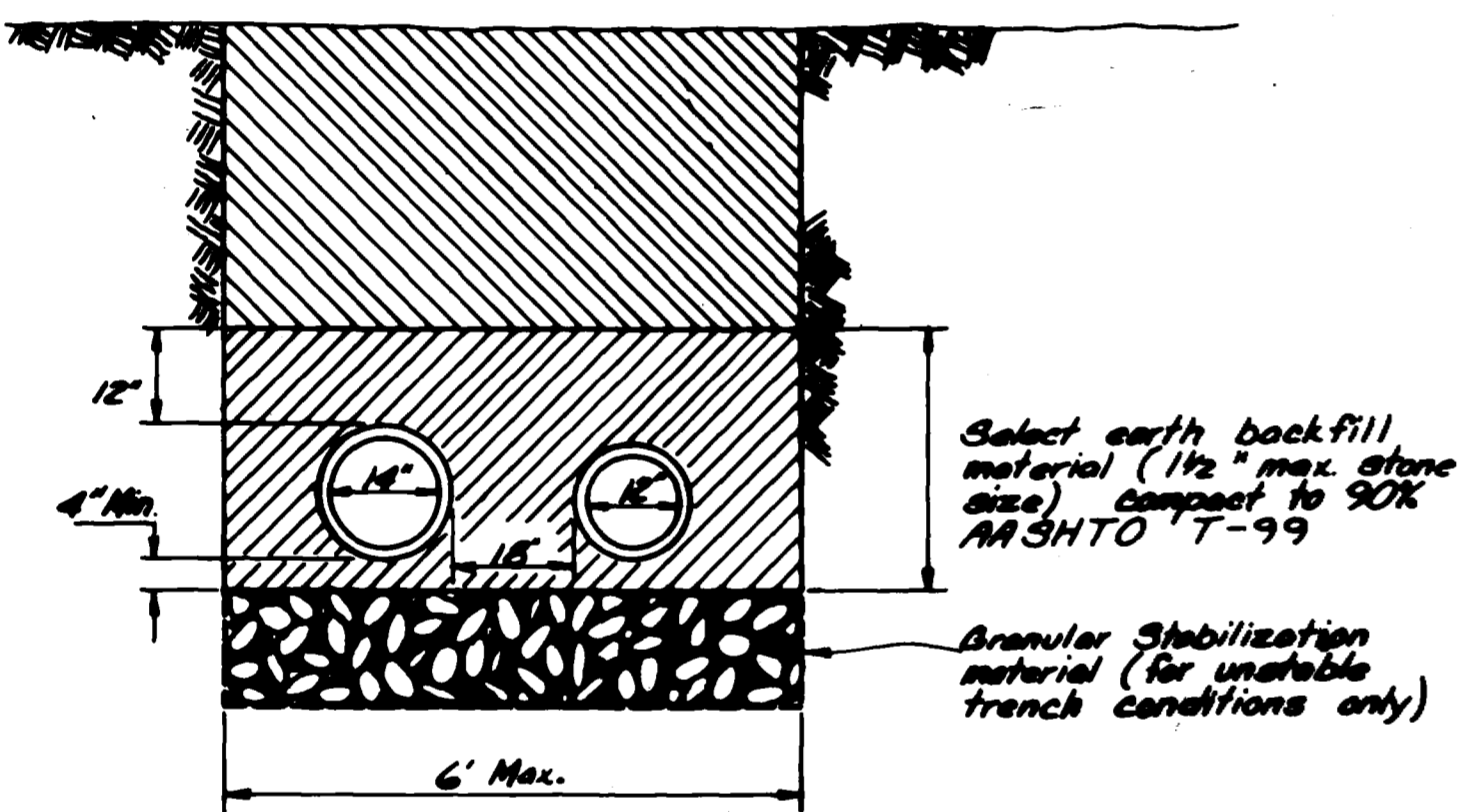
SHEET NO. 3



REVISION A ADDENDUM 1 REVISION A REVISION A REVISION A	DATE 3-6-81 DATE 2-23-81 DATE 2-23-81 PAGE 108-118	DRAWN BY TLR CHECKED BY TAB APPROVED BY JDN FIELD BOOK NO. LLI	DATE 2-18-81 DATE 2-23-81 DATE 2-23-81 PAGE 108-118	SCALE PLAN 1"=20' PROFILE 1"=20' VERT. 1"=20'	DEPARTMENT OF PUBLIC WORKS AND UTILITIES ENGINEERING DIVISION CITY OF GRAND JUNCTION, COLORADO	ORCHARD MESA SANITARY SEWER RIVER CROSSING CONSTRUCTION PLAN & PROFILE	SHEET NO. 4 OF FILE NO.
---	---	---	--	--	--	--	-------------------------------



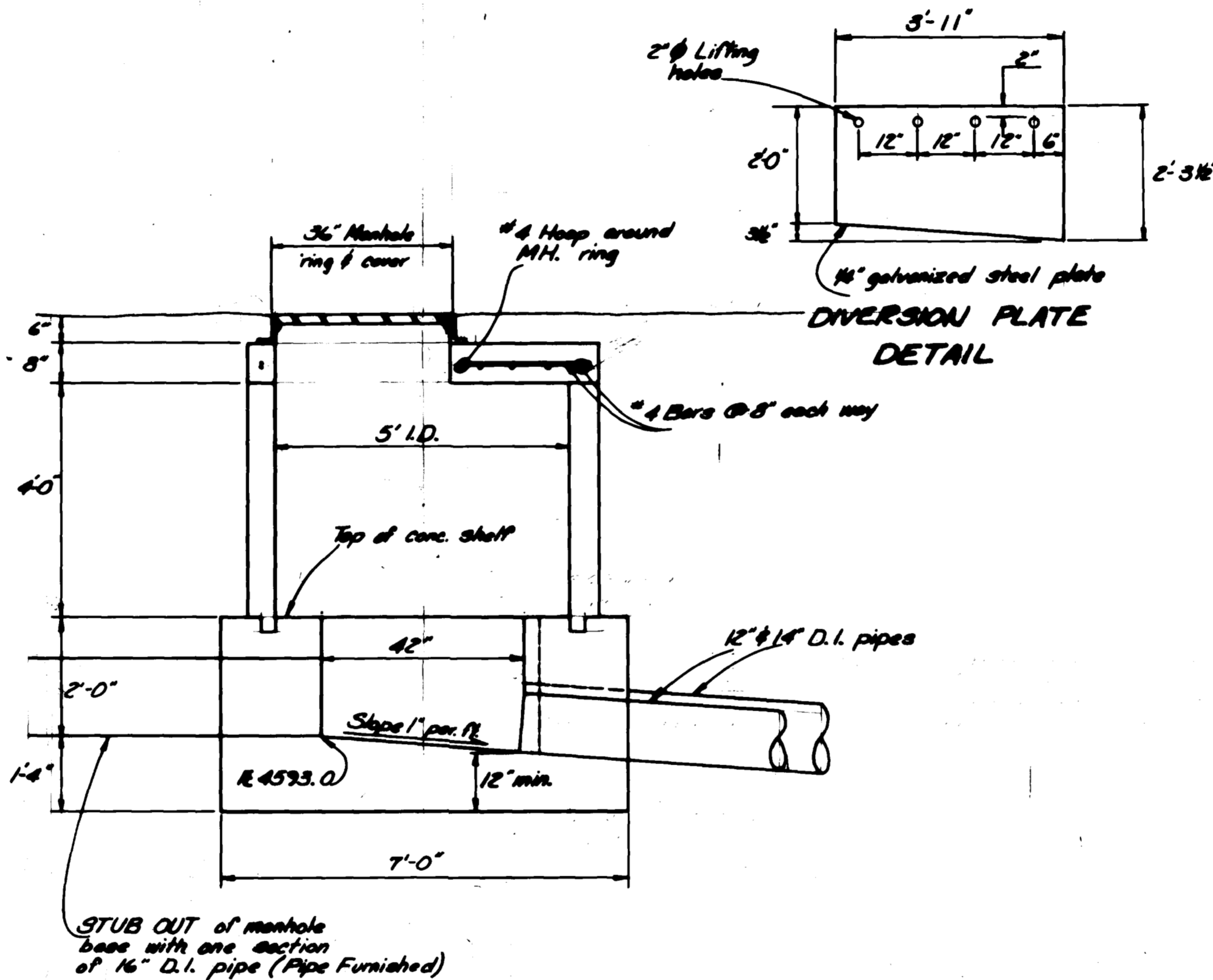
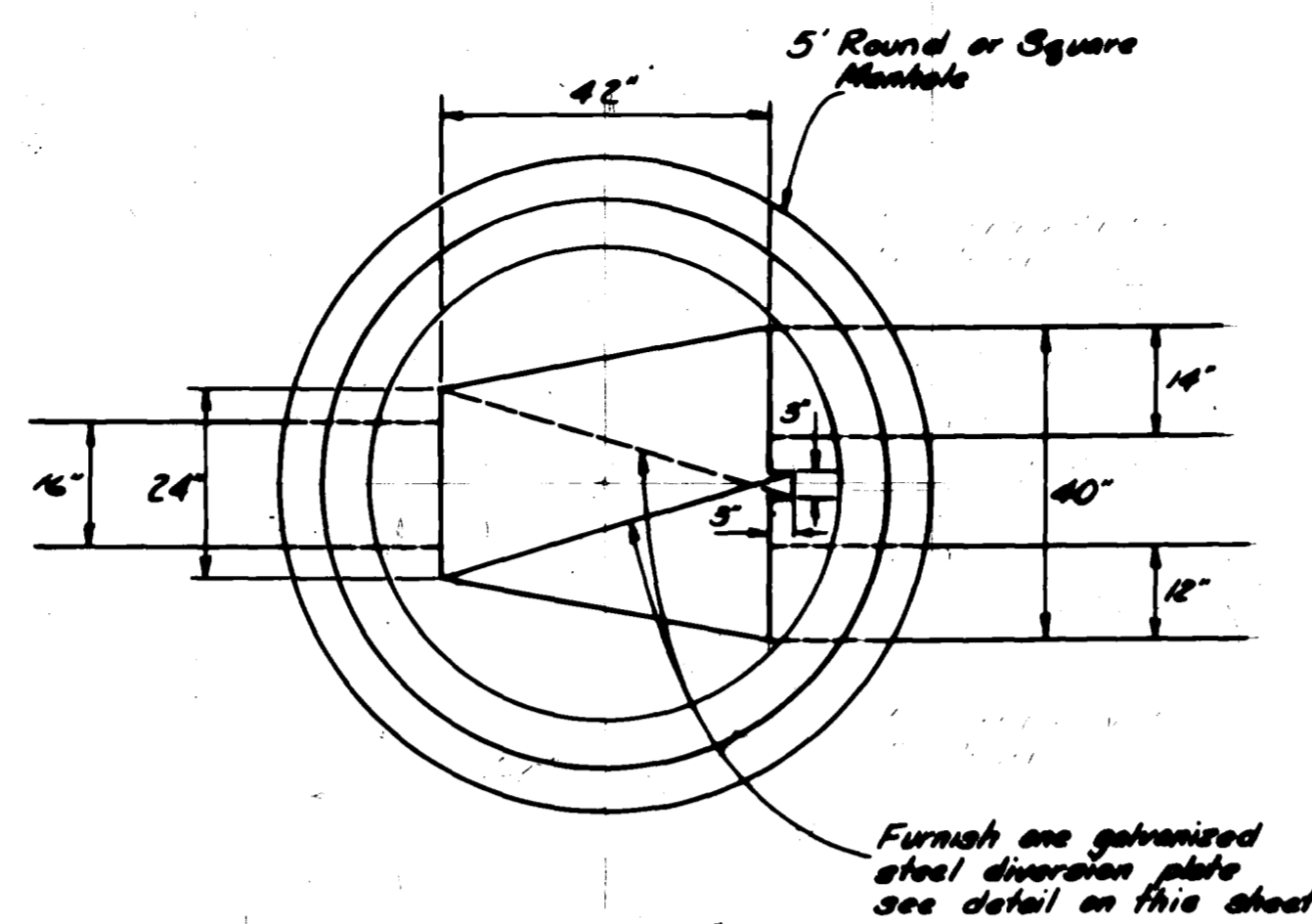
TYPICAL TRENCH DETAIL
45+27 to 53+50



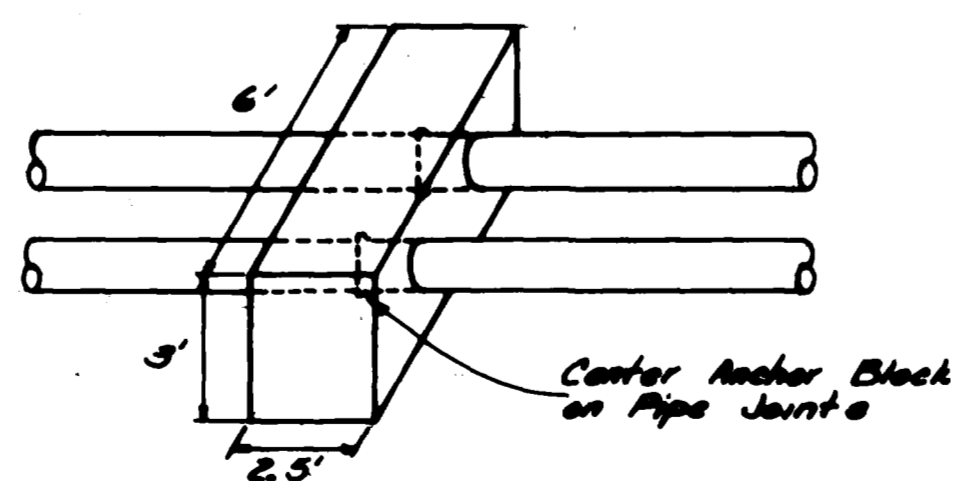
TRENCH DETAIL
43+60 to 45+27

Granular bedding & haunching material used for embedment of pipe shall be crushed rock meeting the following gradation requirements

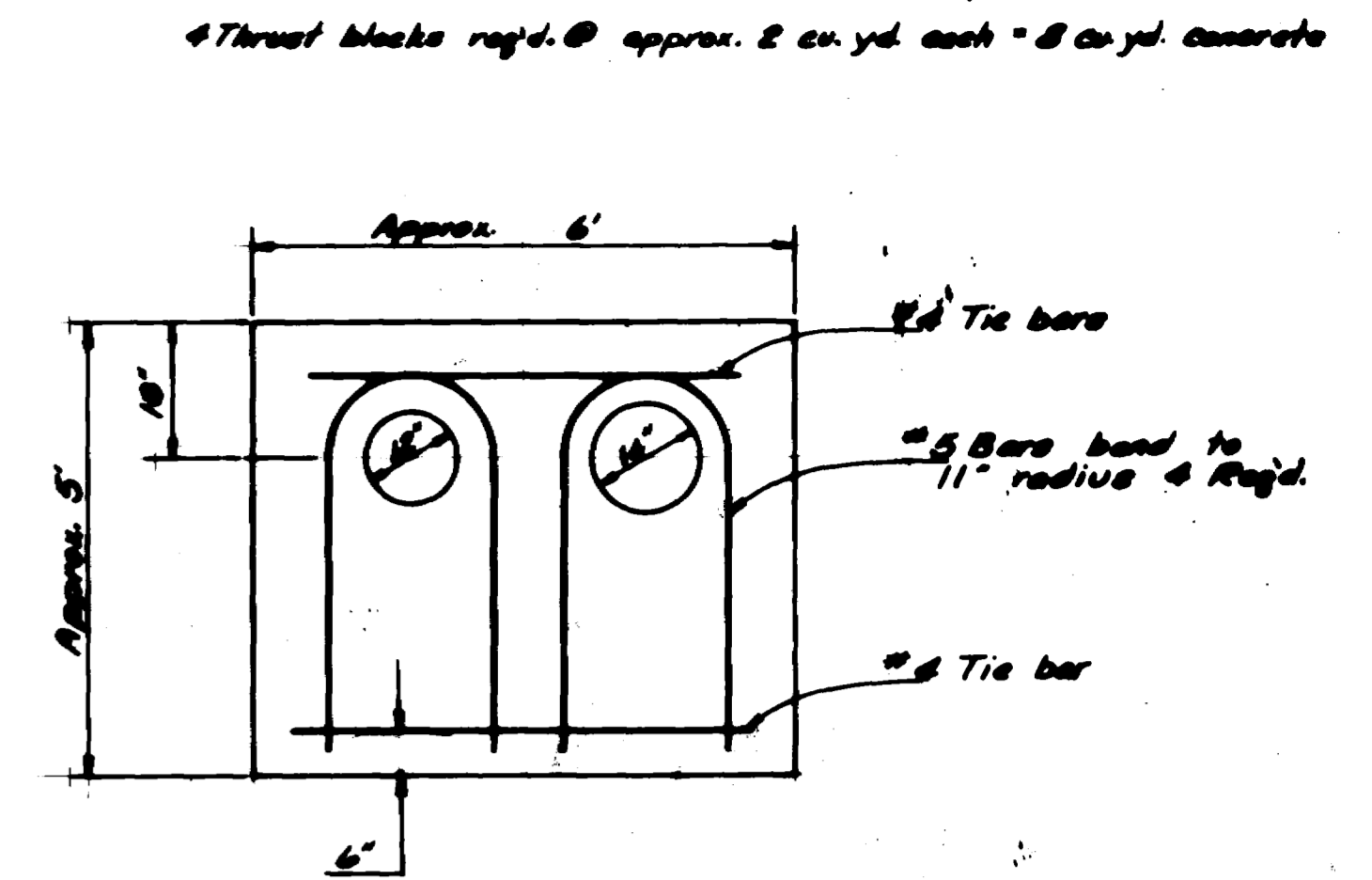
Sieve Size	Percent By Weight Passing Sieve
3/4 inch	100
No. 4	0-10



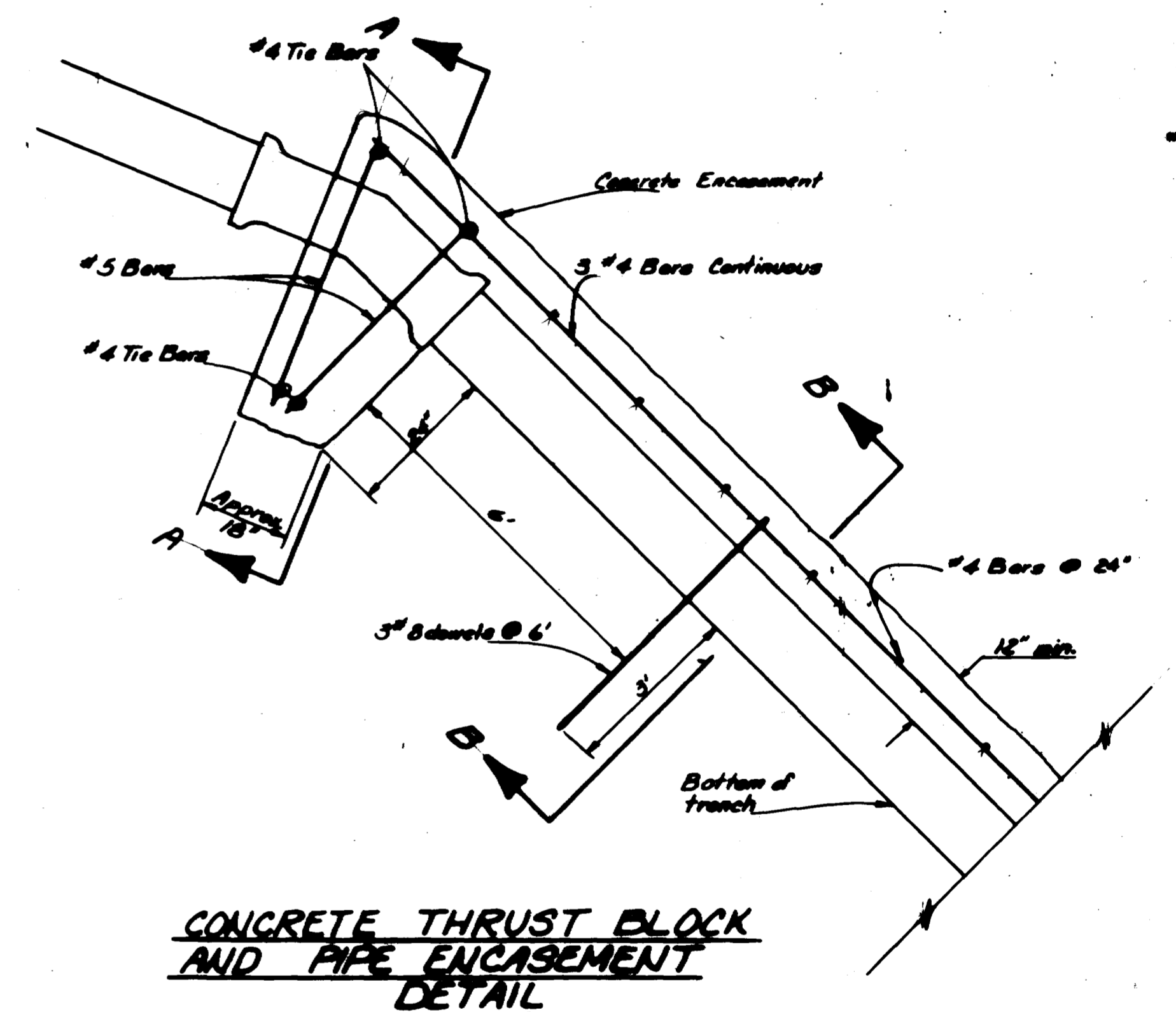
MANHOLE AT 43+60



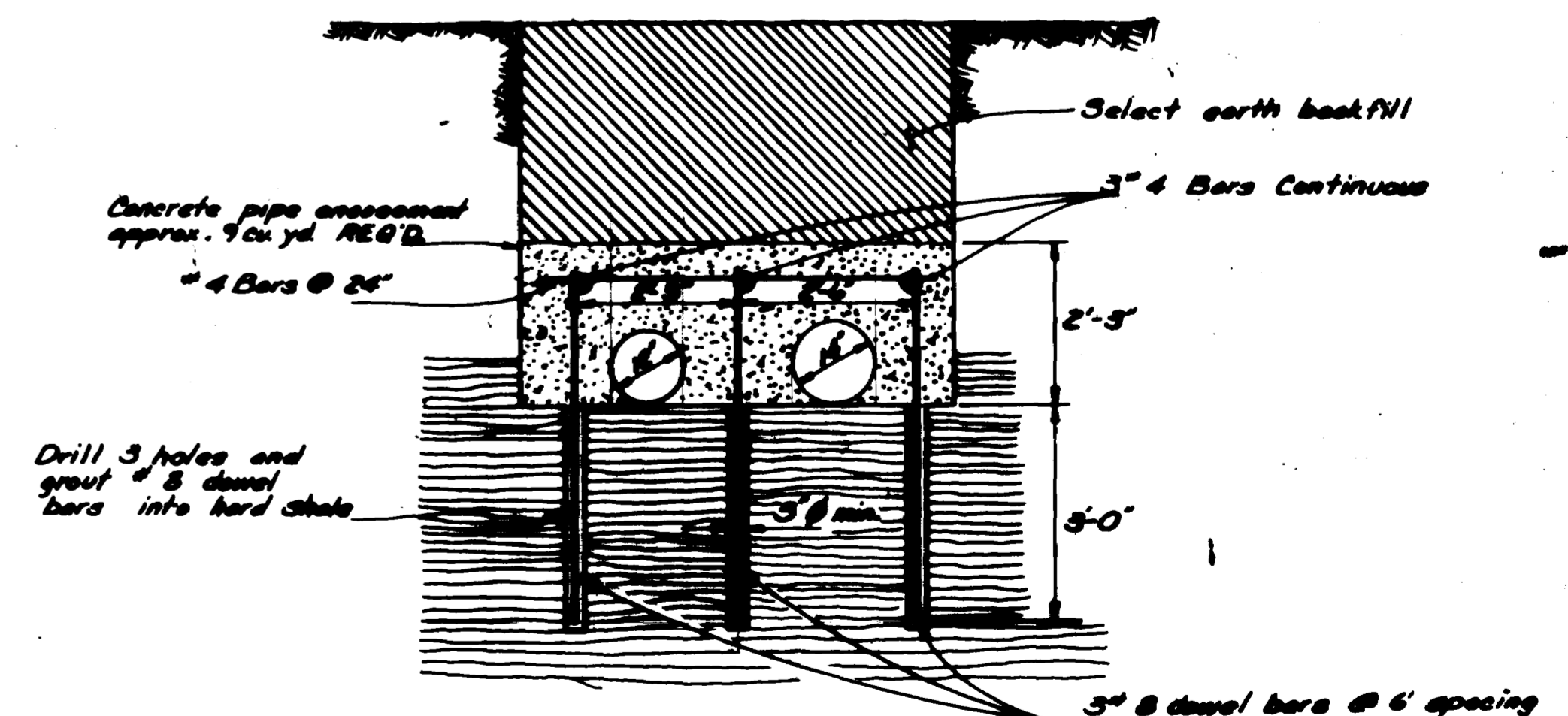
CONCRETE ANCHOR BLOCK
3 REQ'D. @ 15 Cu. Yd. EACH



SECTION A-A
CONCRETE THRUST BLOCK
REQ'D. AT EACH 22 1/2° BEND



CONCRETE THRUST BLOCK
AND PIPE ENCASEMENT
DETAIL



SECTION B-B
PIPE ENCASEMENT DETAIL
45+00 to 45+15

REVISION	DESCRIPTION	DATE	DRAWN BY	DATE	SCALE
REVISION A	ADDENDUM 1	3-8-81	Luther Martin	2-24-81	PLAN
REVISION B	ADDENDUM 2	3-8-81	JDN	2-24-81	PROFILE
REVISION C			JDN	2-24-81	HORIZ. N.T.S.
REVISION D					VERT.

DEPARTMENT OF PUBLIC WORKS AND UTILITIES
ENGINEERING DIVISION
CITY OF GRAND JUNCTION, COLORADO

ORCHARD MESA SANITARY SEWER
RIVER CROSSING
DETAIL SHEET

SHEET NO. 5
OF 5
FILE NO.