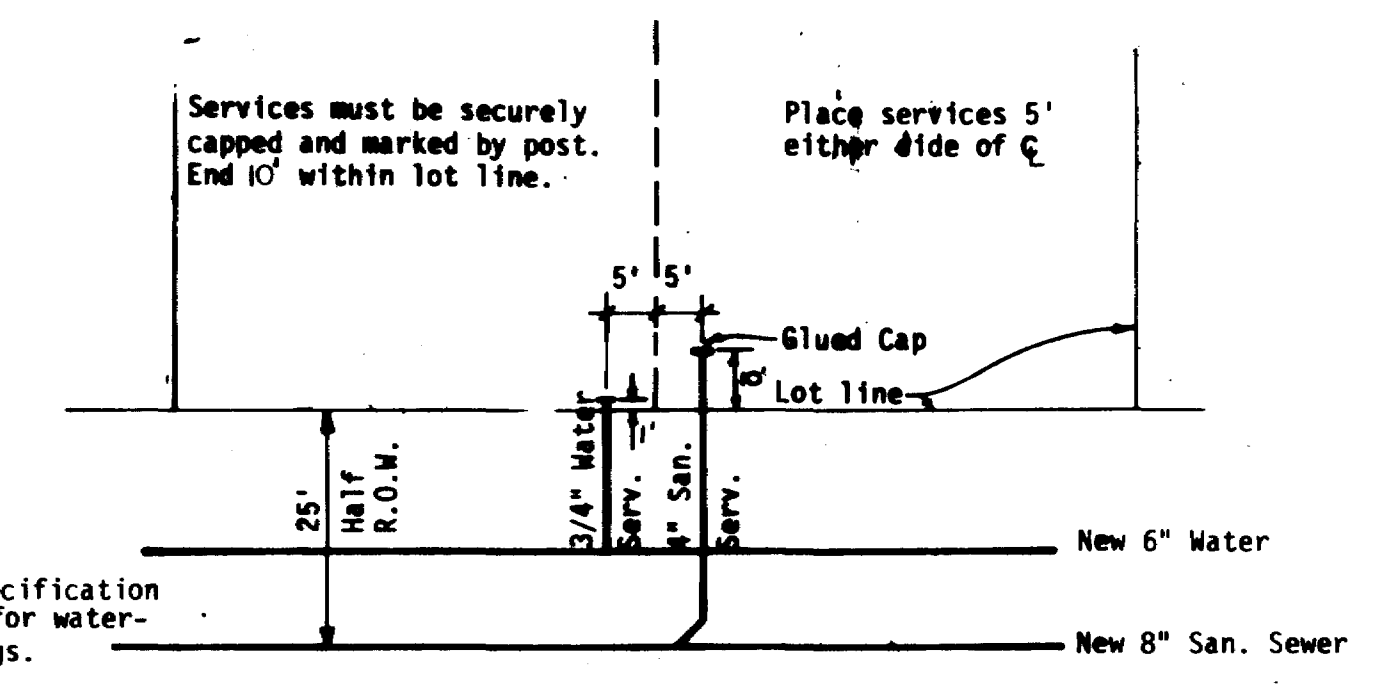
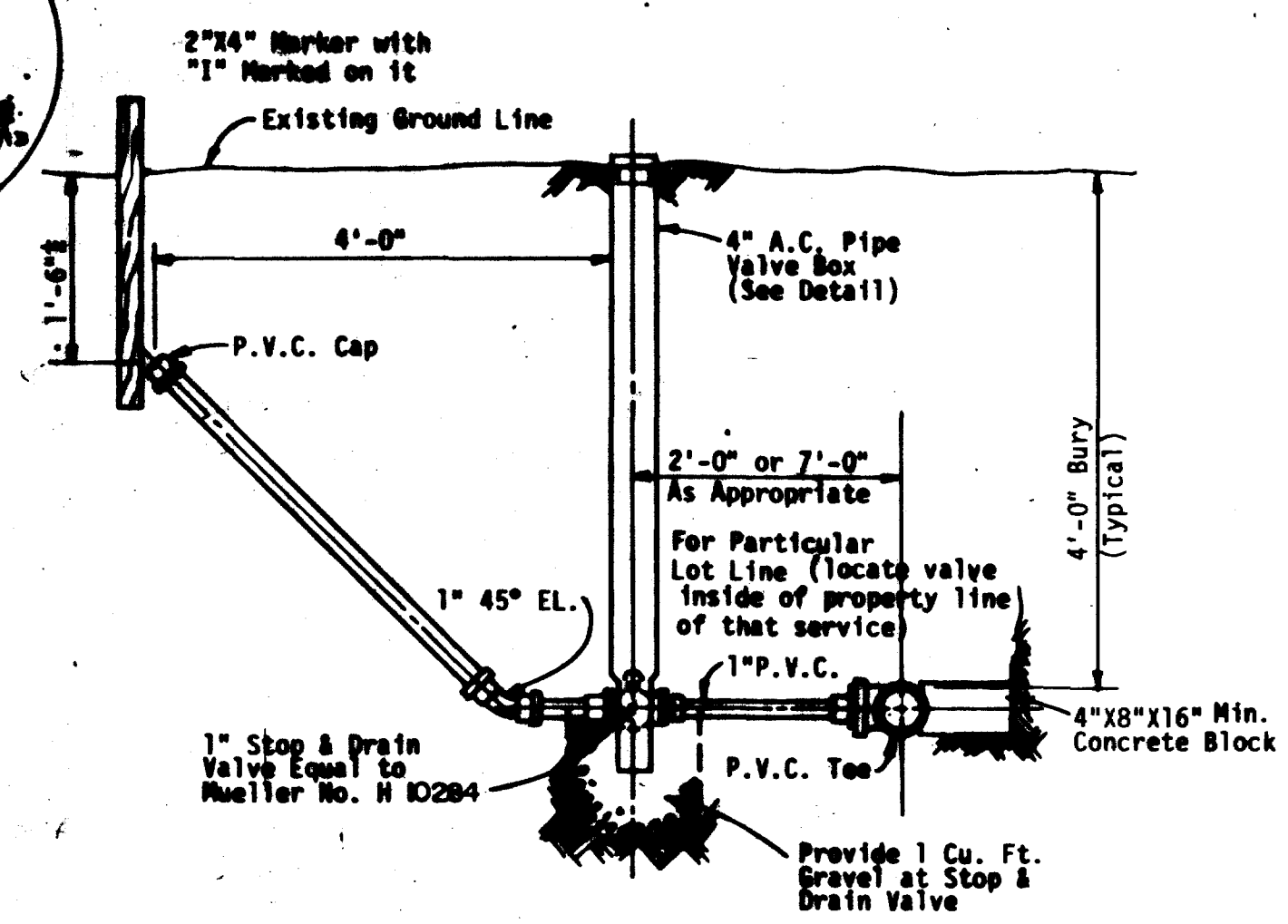


**CONSTRUCTION NOTES**

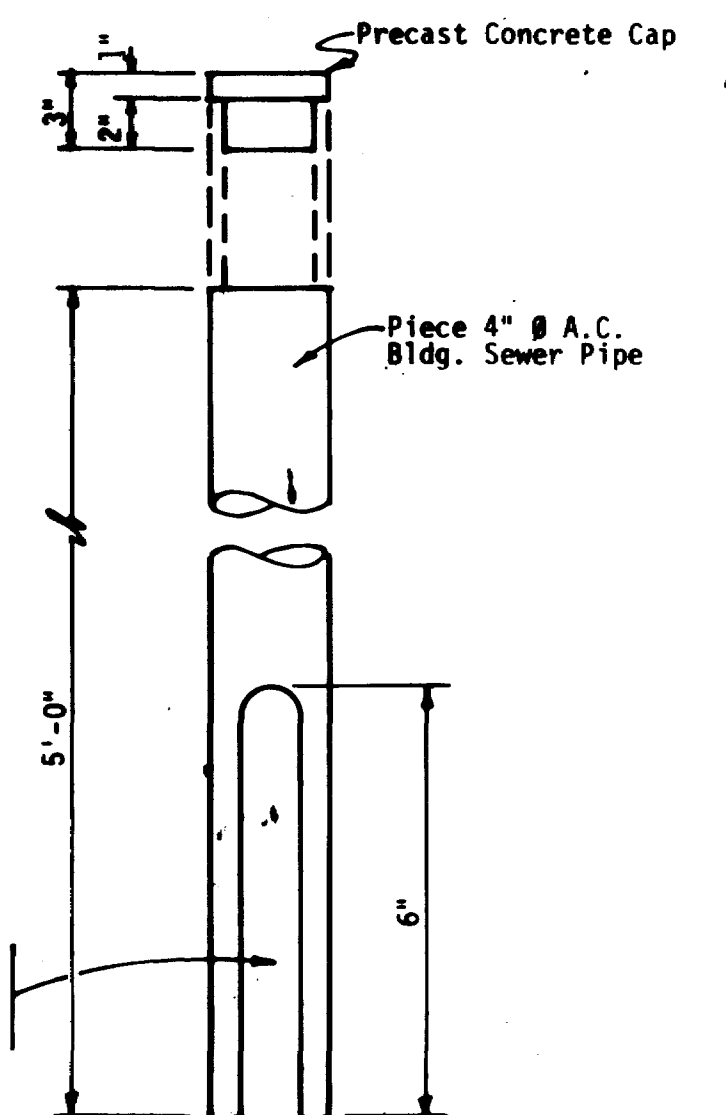
- Water, irrigation, sanitary and storm sewer shall be installed by the project contractor. The respective utilities will install telephone, gas, and underground electric.
- The project contractor is responsible for coordinating all utility installations. Utilities shall be installed and properly backfilled prior to any paving.
- Water and sanitary mains shall be installed beneath the new asphalt mat. The utility trenches shall avoid the vicinity of the future curb and gutter if possible.
- Water mains shall be installed with a minimum five feet burial from final grade.
- Extend water and sanitary services to ten feet inside lot line.
- Refer to Grading and Drainage plan for Storm Drainage System.
- Irrigation and water bands shown on plans do not equal exact deflection required. Contractor is required to make necessary deflections in pipe according to manufacturer's instructions to bring pipe back to its correct alignment.
- All 3/4" water service lines shall include a corporation stop at the main and a stop installed by Ute Water at the end of the service lines.
- See sheet 7 for storm sewer plan.
- Field locate all existing utility lines where called out to connect to them.



Typical Water & Sewer Service Layout  
Scale: 1" = 20'

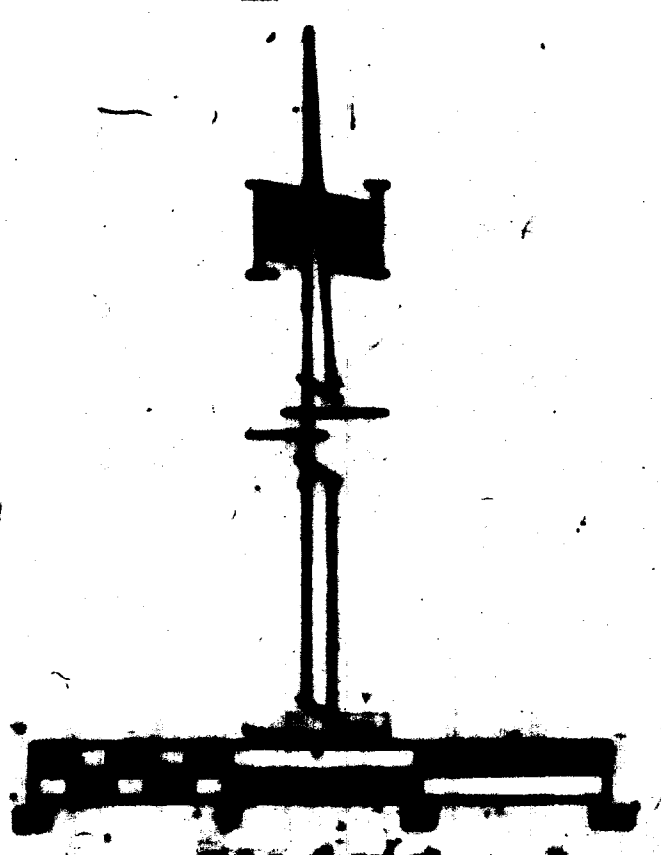


SERVICE CONNECTION DETAIL  
SCALE: 3/4" = 1'-0"



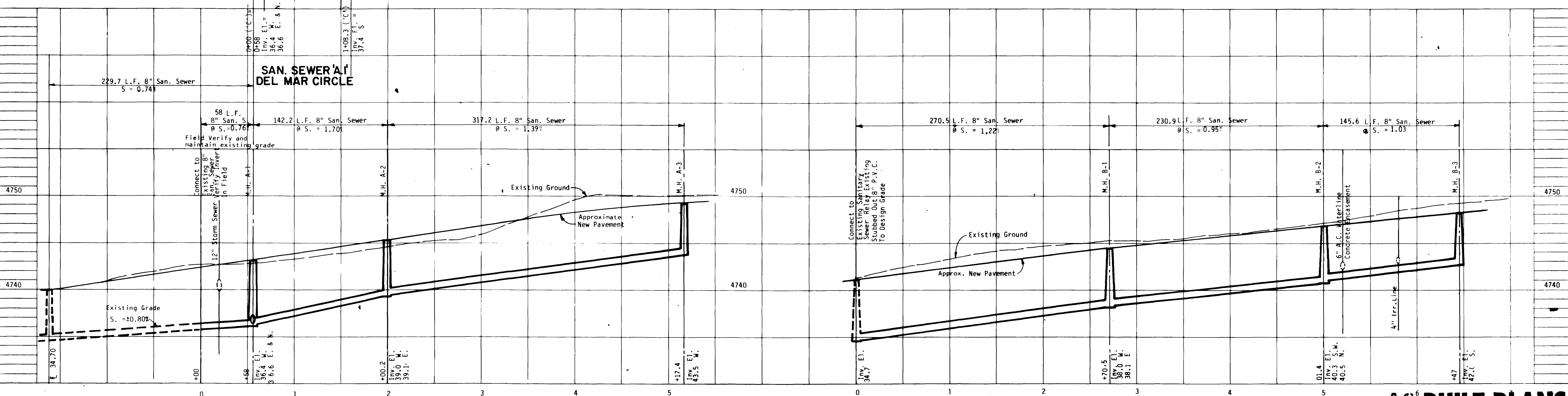
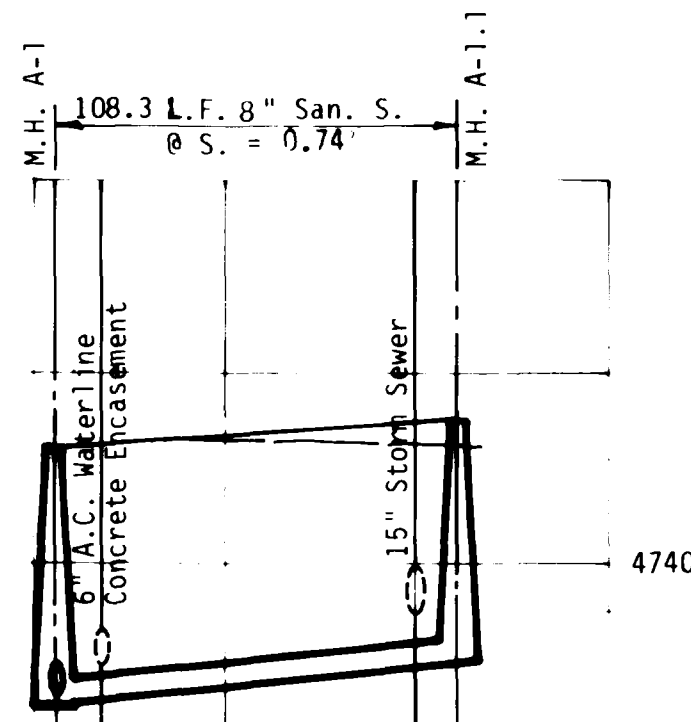
**AS-BUILT PLANS**

VALVE BOX CONNECTION  
SCALE: 1-1/2" = 1'-0"



<p>A Professional Corporation</p> <p><b>ARIX</b></p> <p>Engineers, Architects, Planners</p>	<p>This document is the property of ARIX, and is not to be distributed, copied, or otherwise used without the written consent of ARIX. The user of this document shall be deemed to have agreed to the terms and conditions of the license agreement.</p>	<p>SCALE As Shown</p>	<p>MESA COUNTY, COLORADO</p> <p><b>PARADISE HILLS SUBDIVISION</b></p> <p><b>FILING NO. FOUR A</b></p>
		<p>DATE May '82</p> <p>PROJECT NO. 82122.00</p>	

**SITE UTILITY CONSTRUCTION PLAN**



**SANITARY SEWER 'A'**  
DEL MAR DRIVE

**SANITARY SEWER 'B'**  
CARIBBEAN DRIVE

**AS-BUILT PLANS**

NOTE:  
1. CONTRACTOR SHALL SUPPLY RING AND COVER WITH MANHOLE. STREET CONTRACTOR SHALL ADJUST MANHOLES TO FINISHED GRADE.  
2. THE INFILTRATION RATE DOES NOT EXCEED 200 GALLONS PER INCH OF NOMINAL PIPE DIAMETER PER DAY PER MILE OF SEWER LINE.

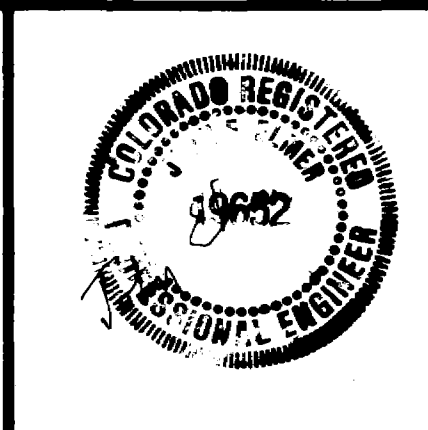
A Professional Corporation

**ARIX**

Engineers Architects Planners

Greeley, Colorado  
Grand Junction, Colorado  
Riverton, Wyoming

THIS DRAWING IS THE PROPERTY OF ARIX, AND IS NOT TO BE REPRODUCED, MODIFIED OR USED FOR ANY OTHER PROJECT OR EXTENSION OF THIS PROJECT EXCEPT BY AGREEMENT WITH SAID COMPANY.



SCALE 1" = 5' Vert.  
1" = 50' Horiz.

DRAWN N.A.C.  
CHECKED J.N.G.  
APPROVED J.E.E. & L.J.B.

DATE May '82  
PROJECT NO. 82122.00

MESA COUNTY, COLORADO

PARADISE HILLS SUBDIVISION  
FILING NO. FOUR A

SANITARY SEWER PROFILE

5  
8