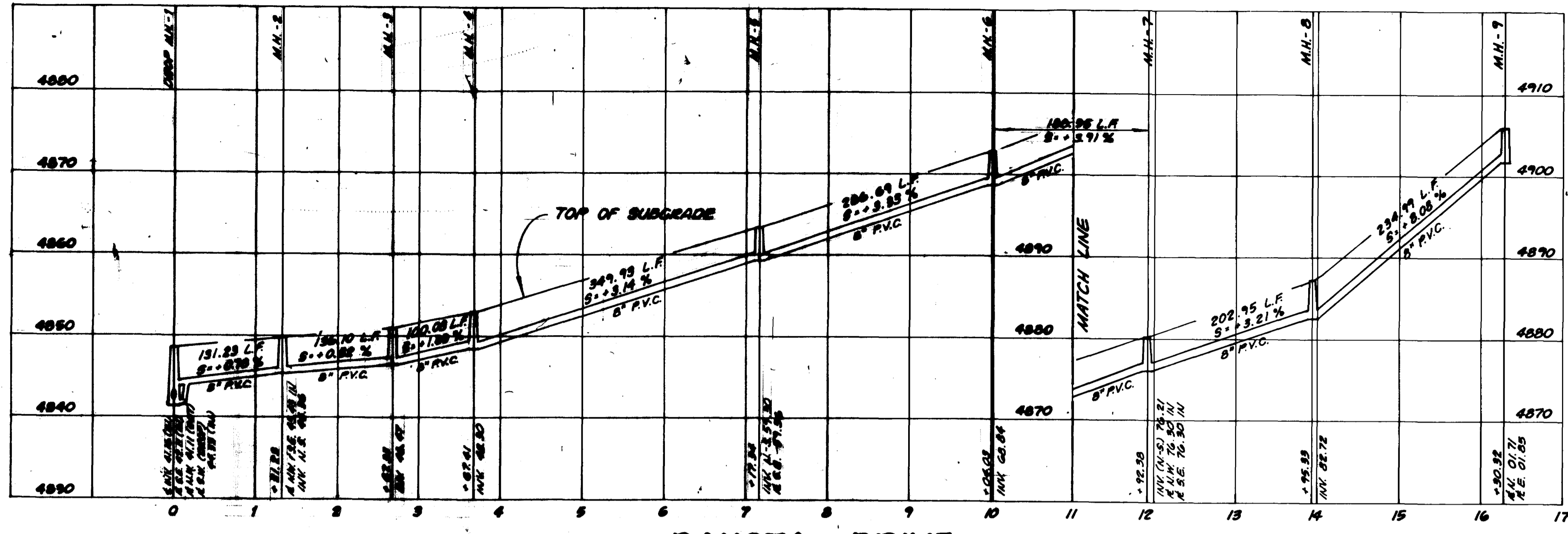
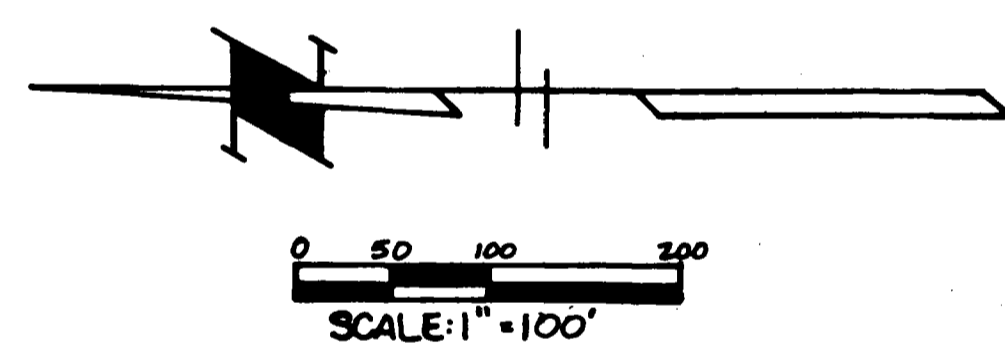


LOCATION OF DAKOTA DRIVE
NO SCALE



DAKOTA DRIVE
SCALE: 1" = 100' HORIZ.
1" = 10' VERT.

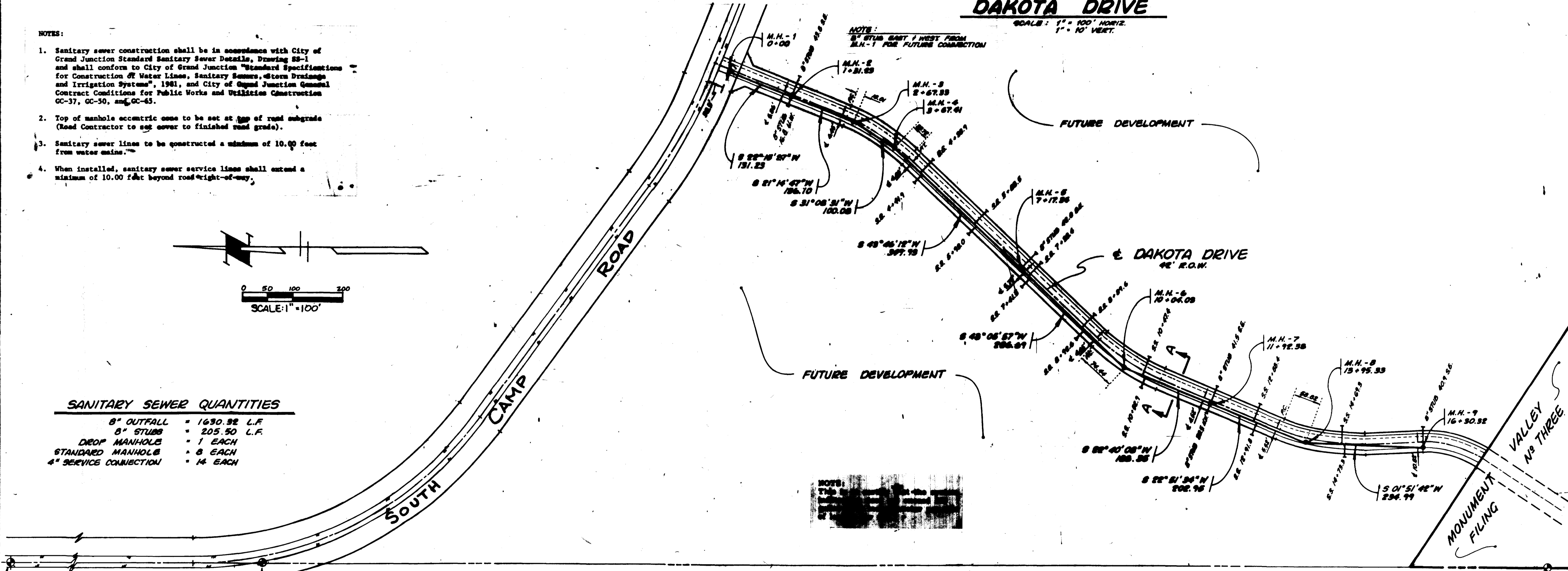
- NOTES:
- Sanitary sewer construction shall be in accordance with City of Grand Junction Standard Sanitary Sewer Details, Drawing SS-1 and shall conform to City of Grand Junction "Standard Specifications for Construction of Water Lines, Sanitary Sewers, Storm Drainage and Irrigation Systems", 1981, and City of Grand Junction General Contract Conditions for Public Works and Utilities Construction CC-37, CC-50, and CC-63.
 - Top of manhole eccentric cone to be set at top of road subgrade (Road Contractor to set cover to finished road grade).
 - Sanitary sewer lines to be constructed a minimum of 10.00 feet from water mains.
 - When installed, sanitary sewer service lines shall extend a minimum of 10.00 feet beyond road right-of-way.



SCALE: 1" = 100'

SANITARY SEWER QUANTITIES

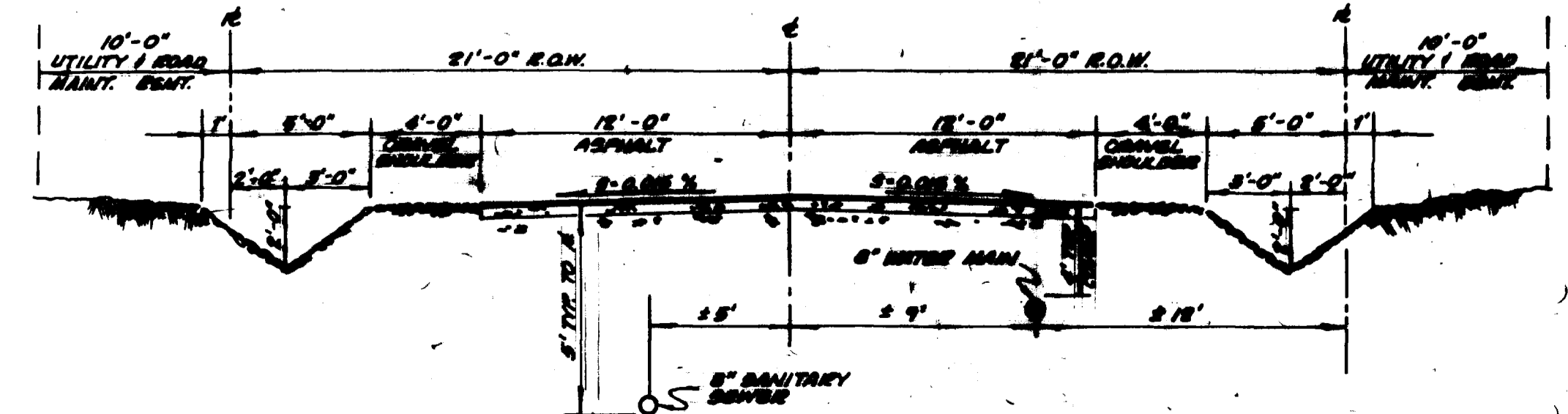
8" OUTFALL	= 1630.92 L.F.
8" STUBS	= 205.50 L.F.
DROP MANHOLE	= 1 EACH
STANDARD MANHOLE	= 8 EACH
4" SERVICE CONNECTION	= 14 EACH



NW CORNER SECTION 19, T.1S., R.1W., U.M.

1/4 CORNER SECTION 19, T.1S., R.1W., U.M.

BENCHMARK ELEV. = 4909.00
SW CORNER SECTION 19, T.1S., R.1W., U.M.



SECT. A-A DAKOTA DRIVE
NO SCALE

Project Name	Sanitary Sewer
Client	Paragon Engineering, Inc.
Scale	1" = 100' Horiz., 1" = 10' Vert.
Drawn by	[Signature]
Checked by	[Signature]
Date	0-3-83

AS BUILT DRAWINGS

REVISIONS

NO.	DATE	BY
1	0-3-83	[Signature]

REVISIONS

NO.	DATE	BY
1	0-3-83	[Signature]

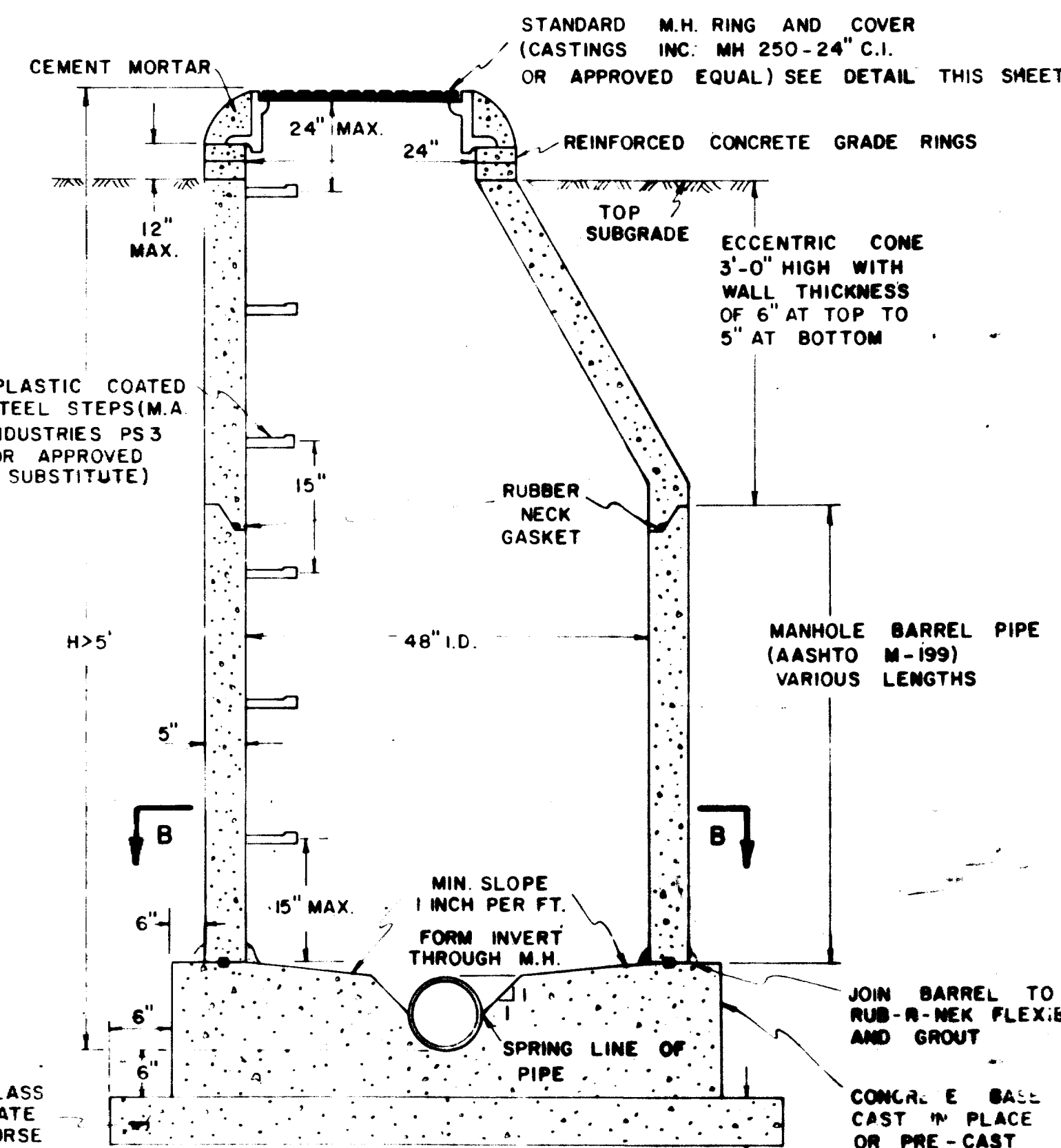
PARAGON ENGINEERING, INC.
P.O. Box 2872
Grand Junction, Colorado 81501 (303) 243-2886



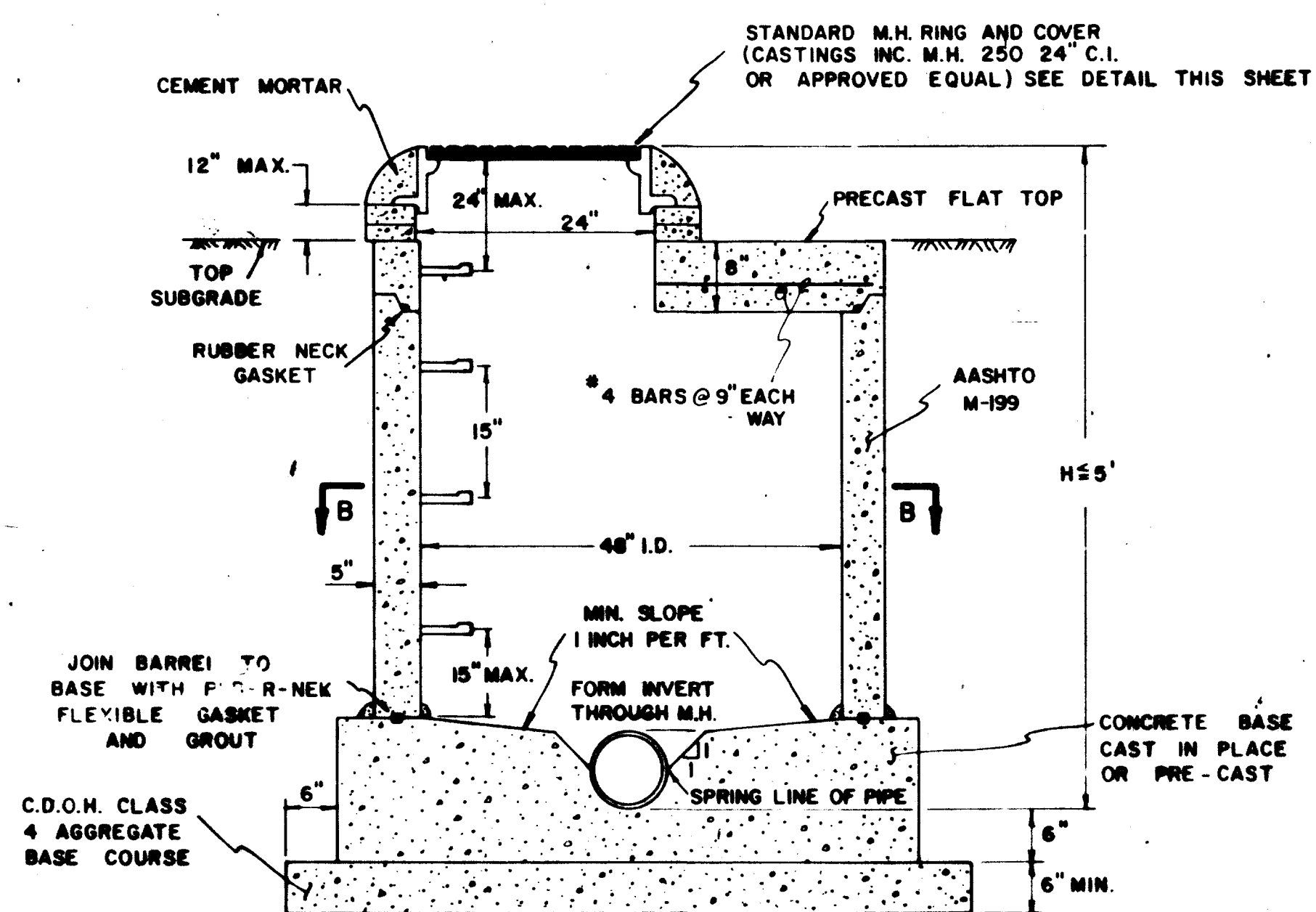
MONUMENT VALLEY - FILING No. THREE
SANITARY SEWER OUTFALL LINE

MANHOLE NOTES

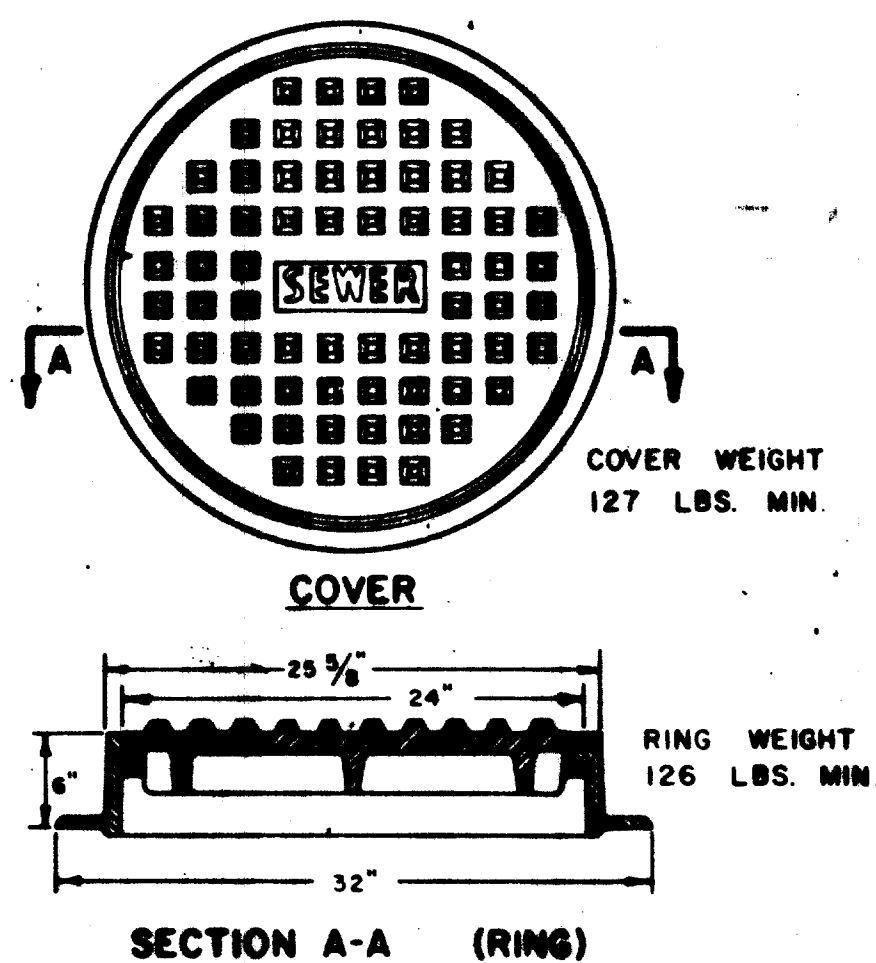
1. CONCRETE SHALL BE COLORADO DIVISION OF HIGHWAYS CLASS "B" (SECTION 601.02).
2. ALL CEMENT USED IN MORTAR, CONCRETE BASES, GRADE RINGS, RISER SECTIONS, CONES, AND FLAT TOPS, FOR SANITARY SEWER MANHOLES, SHALL BE TYPE I OR MODIFIED TYPE II PORTLAND CEMENT WITH LESS THAN 5% TRICALCIUM ALUMINATE.
3. MANHOLE RISER SECTIONS, CONES, FLAT TOPS, AND GRADE RINGS SHALL BE PRECAST REINFORCED CONCRETE CONFORMING TO ASTM C-478 OR AASHTO M-199.



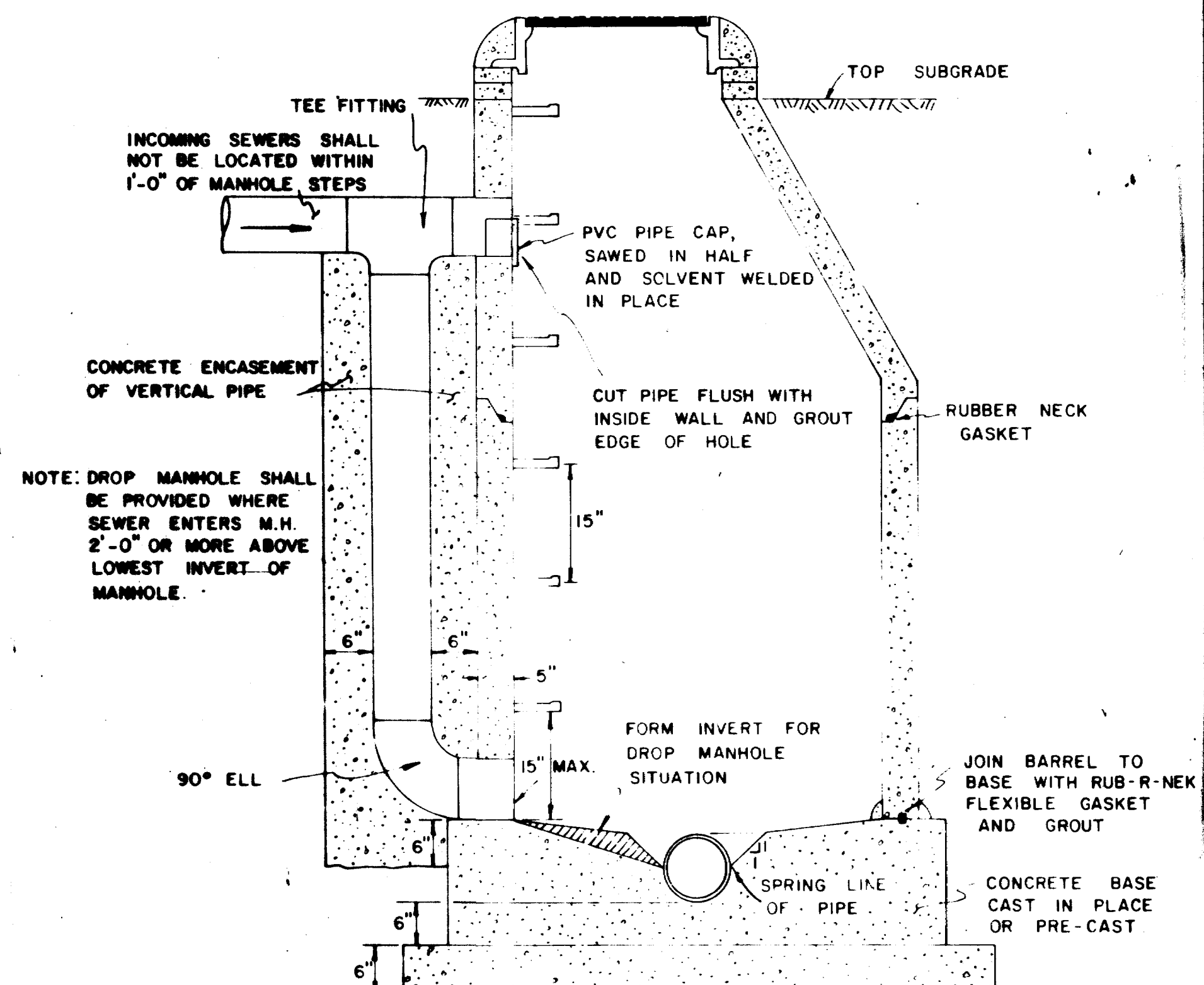
STANDARD MANHOLE



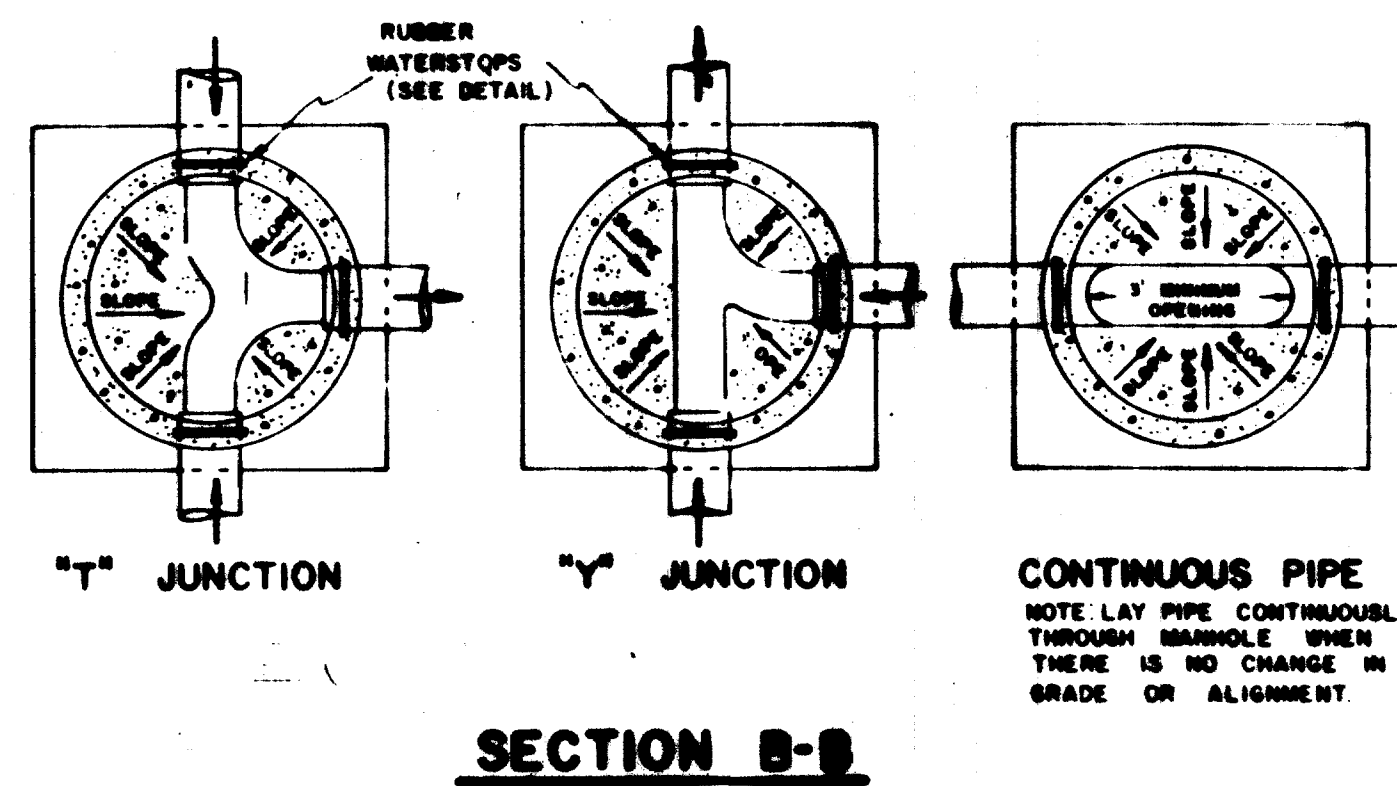
STANDARD SHALLOW MANHOLE



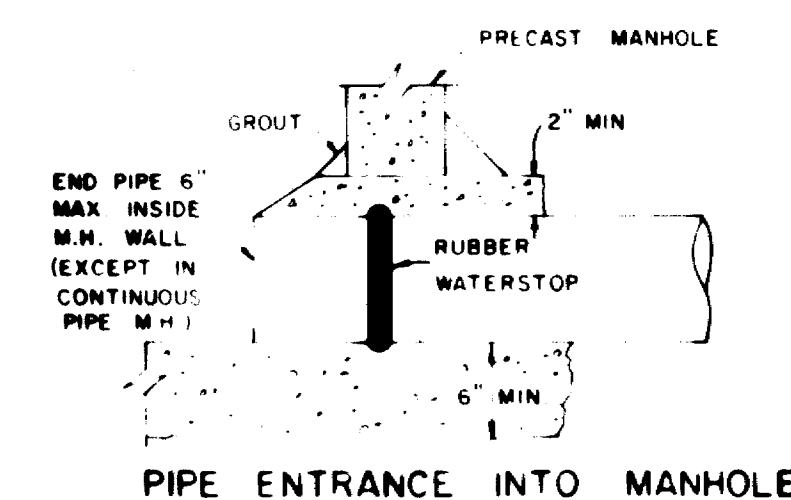
STANDARD CAST IRON MANHOLE RING & COVER



DROP MANHOLE

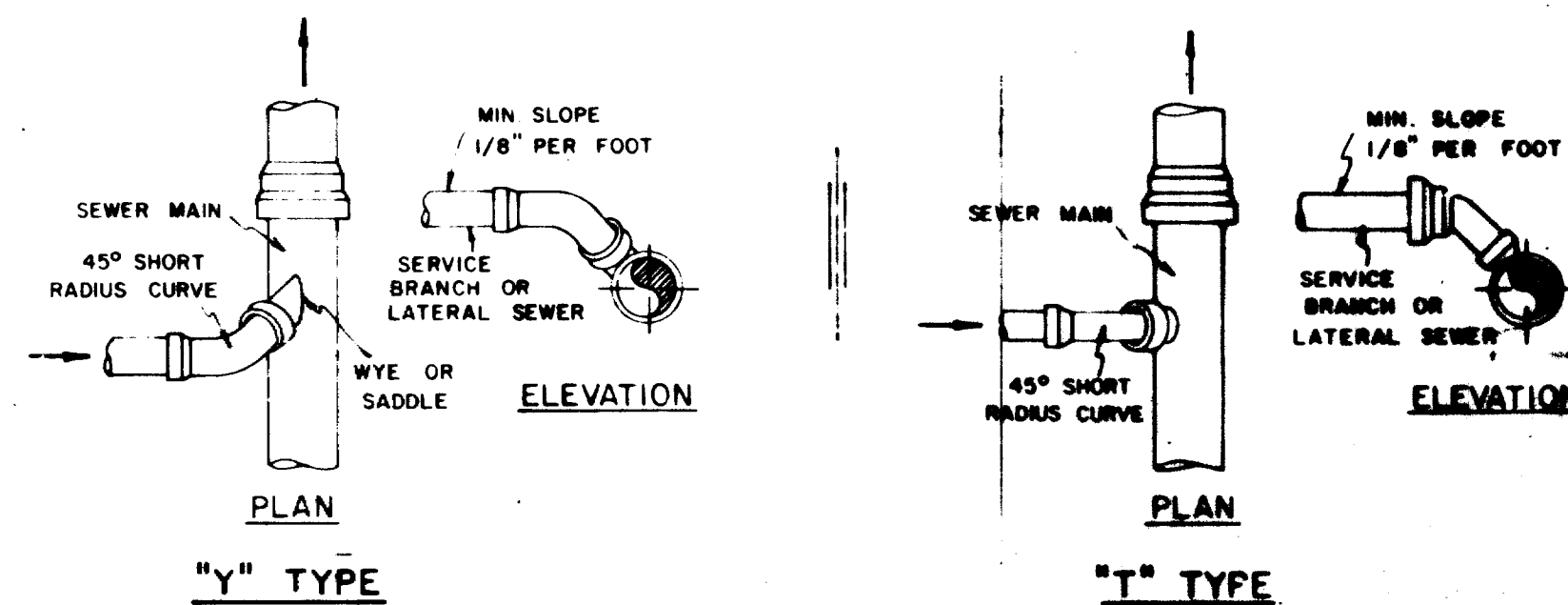


SECTION B-B

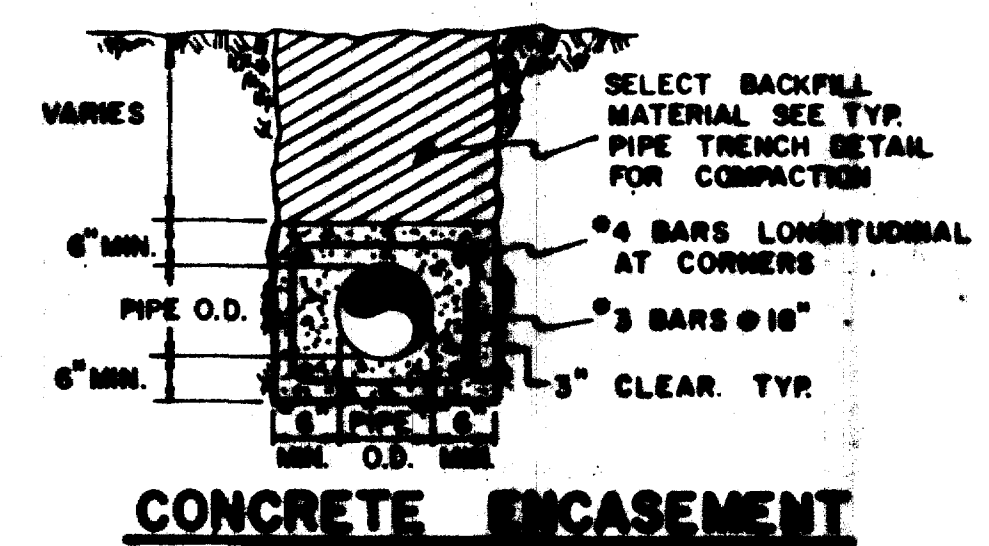


GENERAL SEWER NOTES

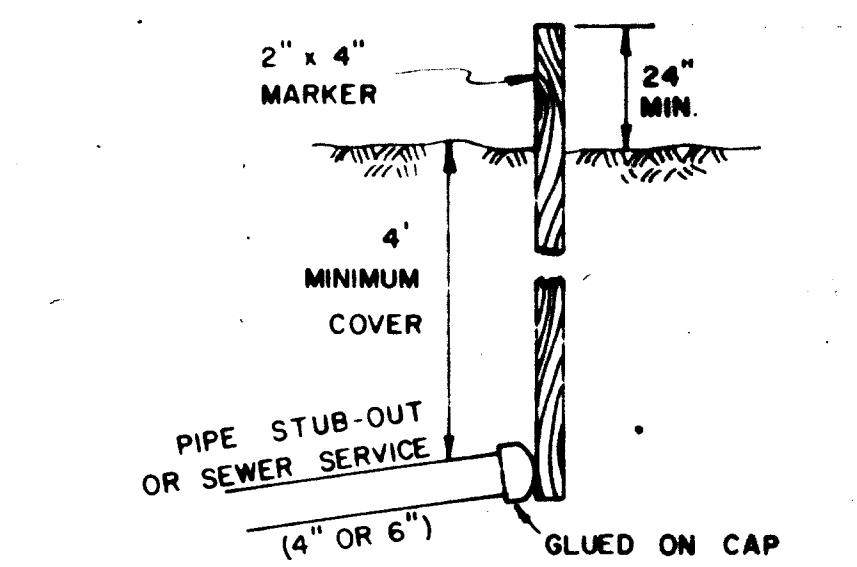
1. SEWER MAINS AND APPURTENANCES SHALL BE CONSTRUCTED IN ACCORDANCE WITH THESE PLANS AND THE CURRENT SPECIFICATIONS OF THE CITY OF GRAND JUNCTION.
2. ANY "BREAK-INS" OR MODIFICATIONS TO EXISTING INSTALLATIONS SHALL BE MADE IN THE PRESENCE OF THE ENGINEER OR HIS REPRESENTATIVE.
3. MINIMUM RELATIVE COMPACTION IN PIPE ZONE SHALL BE 90%. THE CONTRACTOR IS RESPONSIBLE FOR LOCATING AND PROTECTING ALL BURIED UTILITIES.
4. THE CONTRACTOR IS TO SET ALL MANHOLE RIMS A MINIMUM OF 0.5 FEET ABOVE EXISTING GRADE ON ALL PAVED STREETS.
5. DUE TO CURRENT MESA COUNTY ROAD DEPARTMENT POLICIES, ANY ASPHALT REMOVED PARALLEL TO THE EDGE OF AN EXISTING PAVED COUNTY ROAD FOR MORE THAN 20 LINEAL FEET WILL REQUIRE ASPHALT REPLACEMENT TO THE CENTERLINE OF THE EXISTING PAVED ROAD WHEN EXCAVATING PARALLEL TO THE EDGE OF AN EXISTING PAVED ROAD, THE CONTRACTOR SHOULD MAKE EVERY EFFORT TO MINIMIZE THE DISTURBANCE TO THE EXISTING PAVED SURFACE.



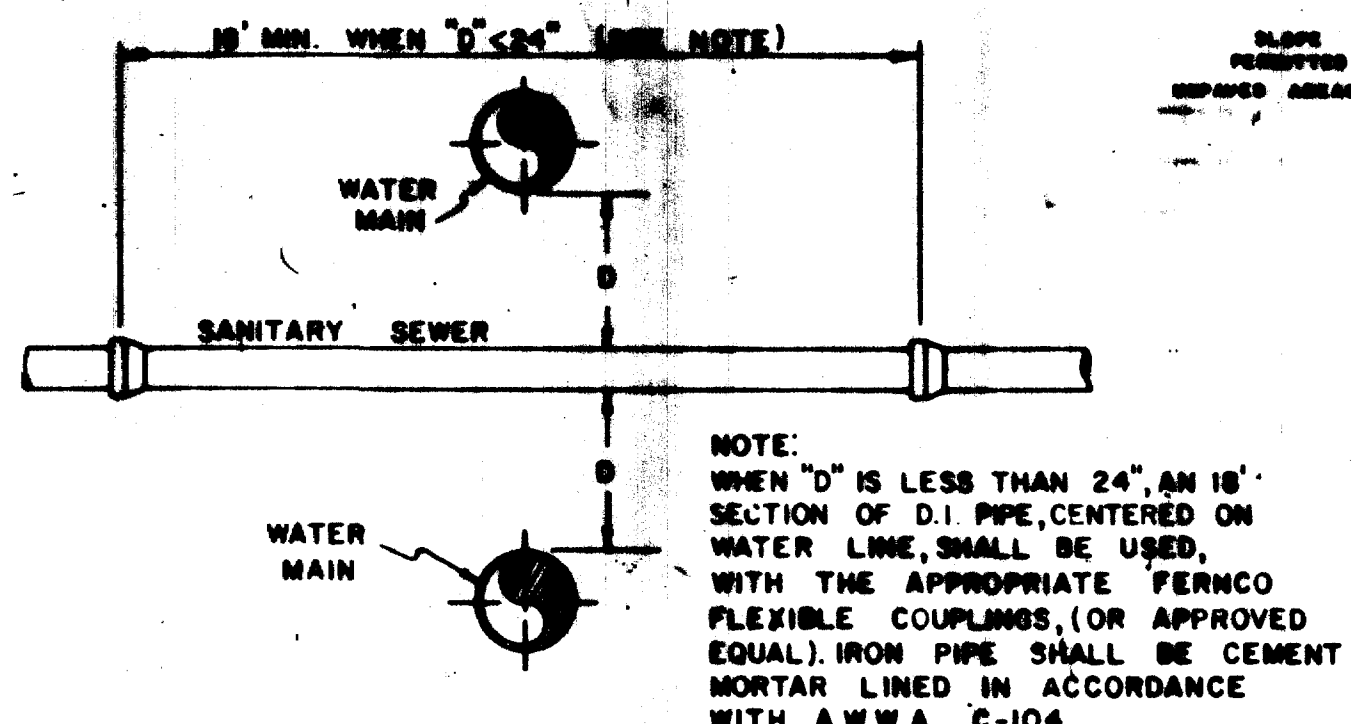
SERVICE CONNECTIONS



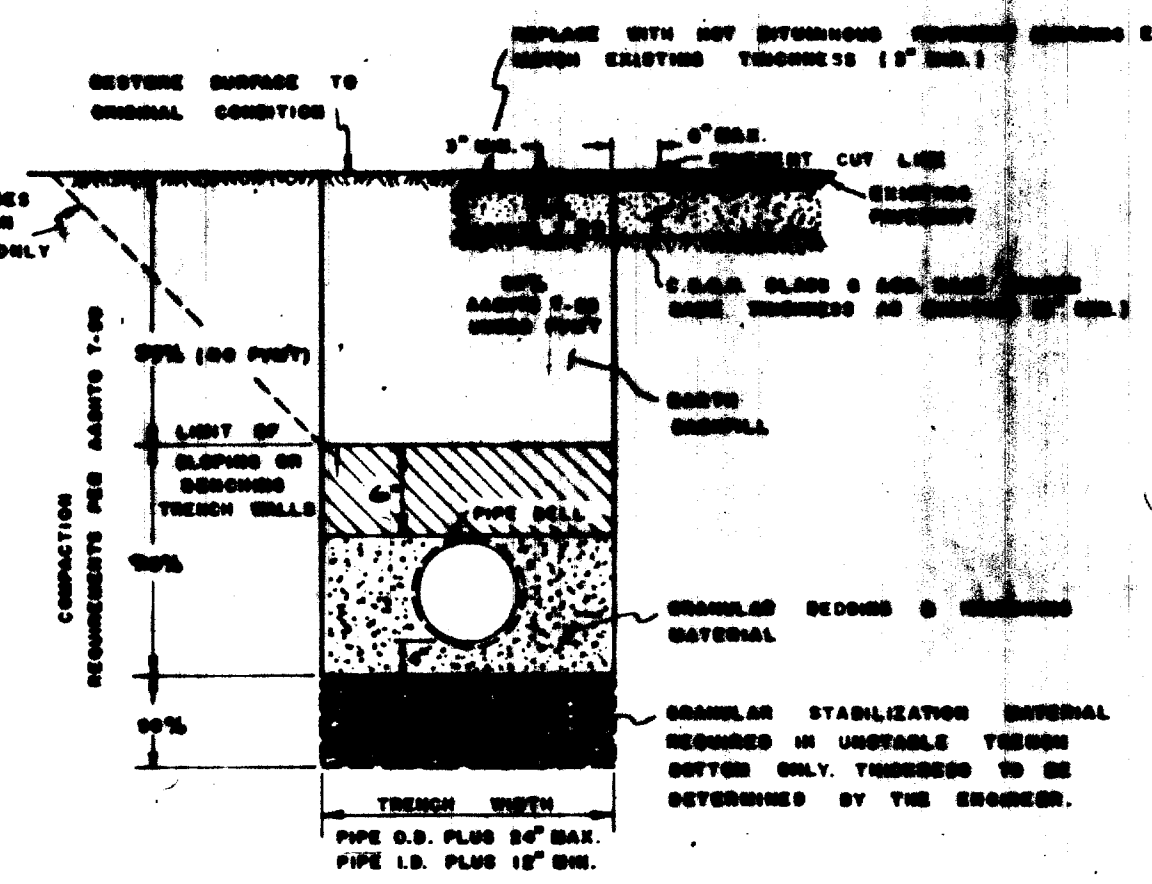
CONCRETE ENCASUREMENT



SEWER SERVICE MARKER



SANITARY SEWER - WATER MAIN CROSSING



TYPICAL TRENCH

SIEVE SIZE	PERCENT BY WEIGHT PASSING SQUARE MESH SIEVES	
	GRANULAR BEDDING AND HAUNCHING MATERIAL	SUBGRADE STABILIZATION MATERIAL
4 INCH	100	100
1 INCH	100	100
No. 200	0-12	0-15

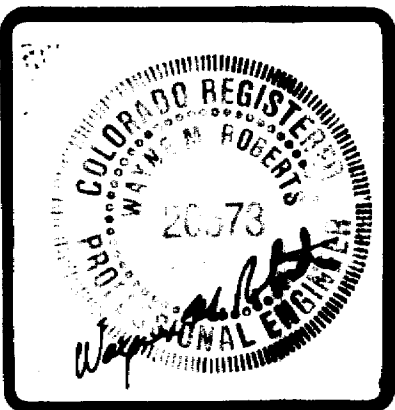
ALL BACKFILL MATERIAL SHALL BE PLACED FULL WIDTH IN 6" MAX. LIFTS AND COMPACTED TO THE MINIMUM RELATIVE DENSITIES SHOWN.

AS BUILT DRAWINGS

CHECKED	J.T.P.
DATE	0-3-88
SCALE	

REVISIONS	BY
1. NO. 11/17/88	10/1/88

PARAGON ENGINEERING, INC.
 2784 Contractors Blvd., Suite 104
 Grand Junction, Colorado 81501 (303) 243-9886



MONUMENT VALLEY - FILING No. THREE
SANITARY SEWER DETAILS