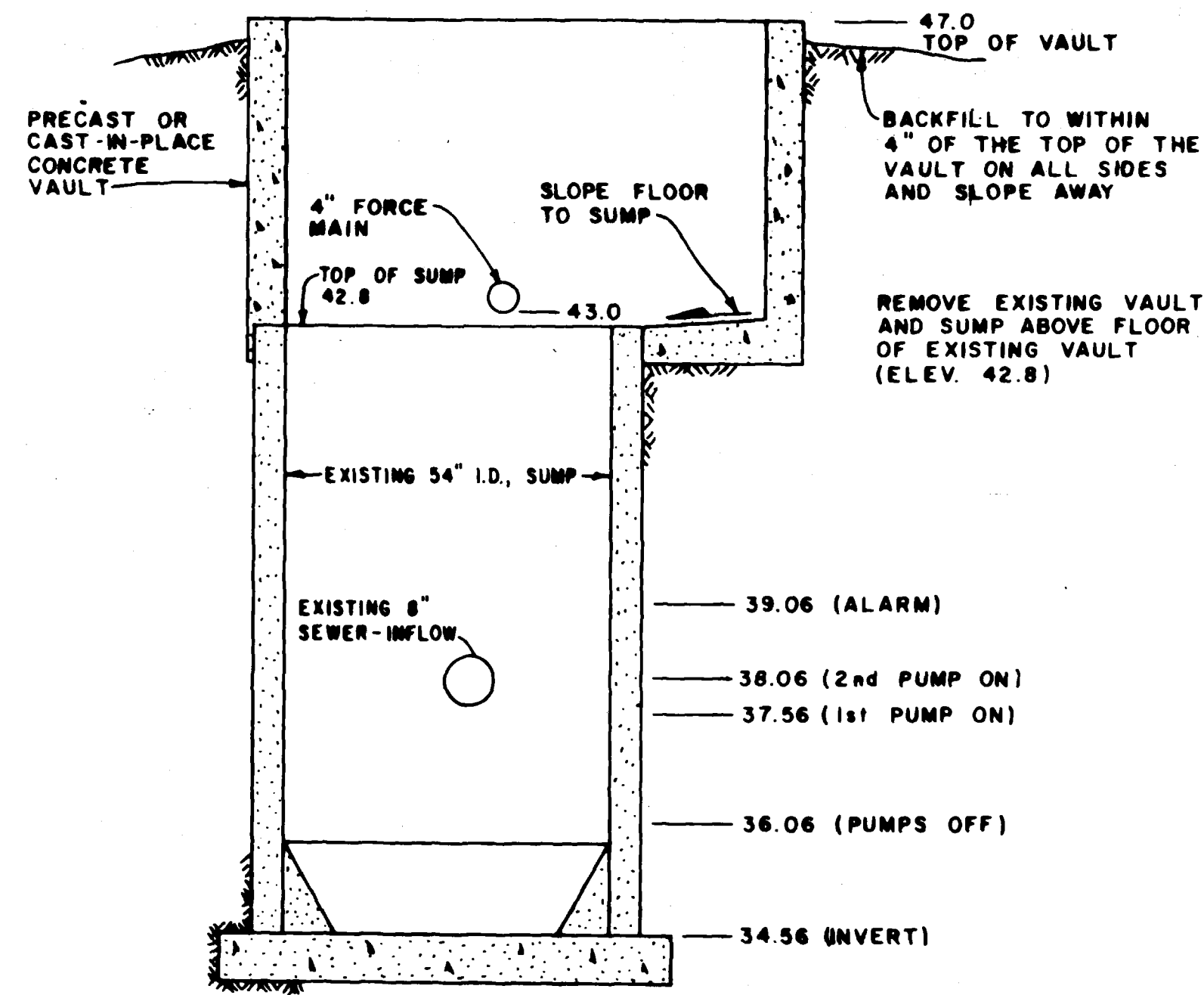
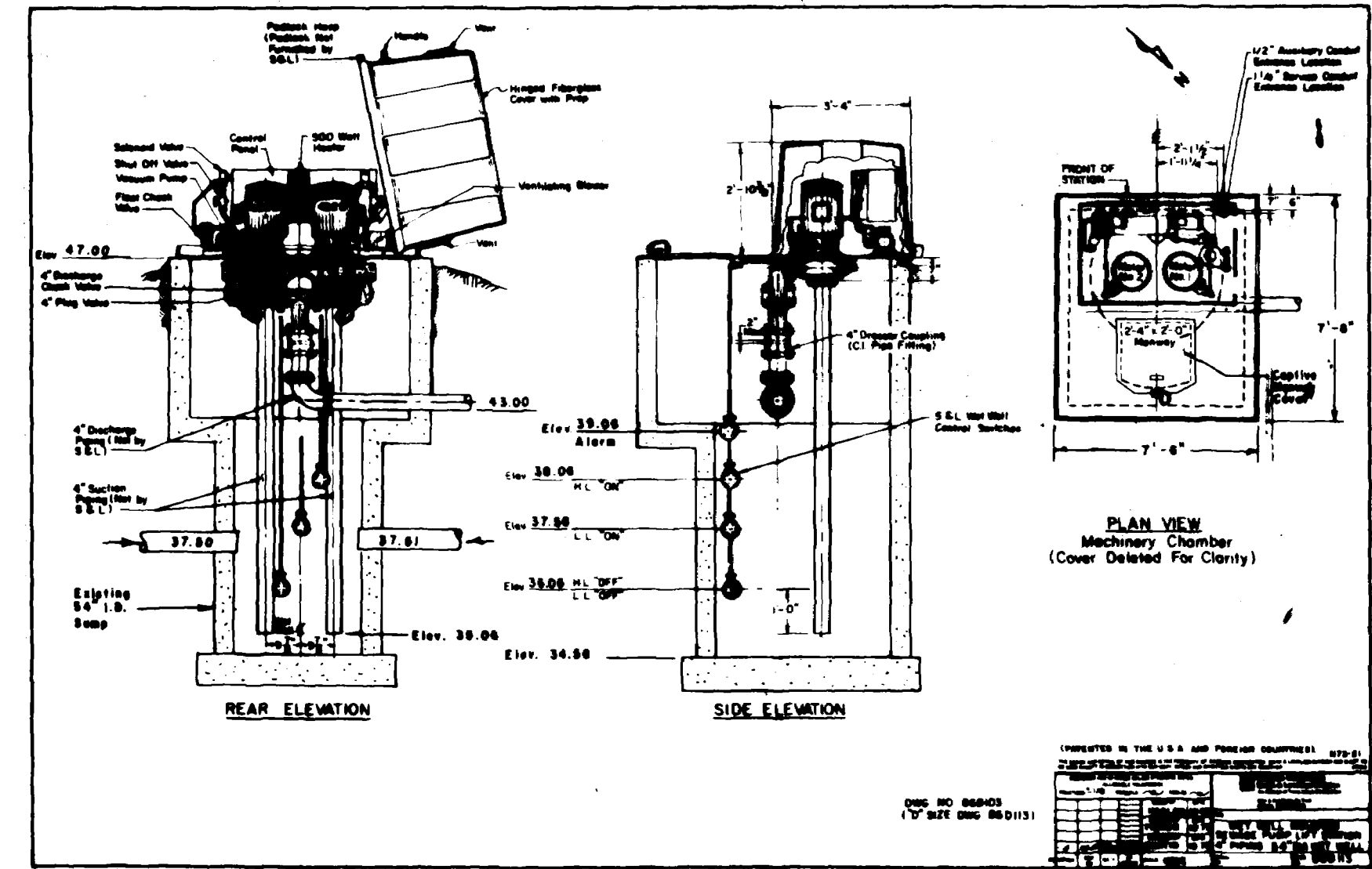


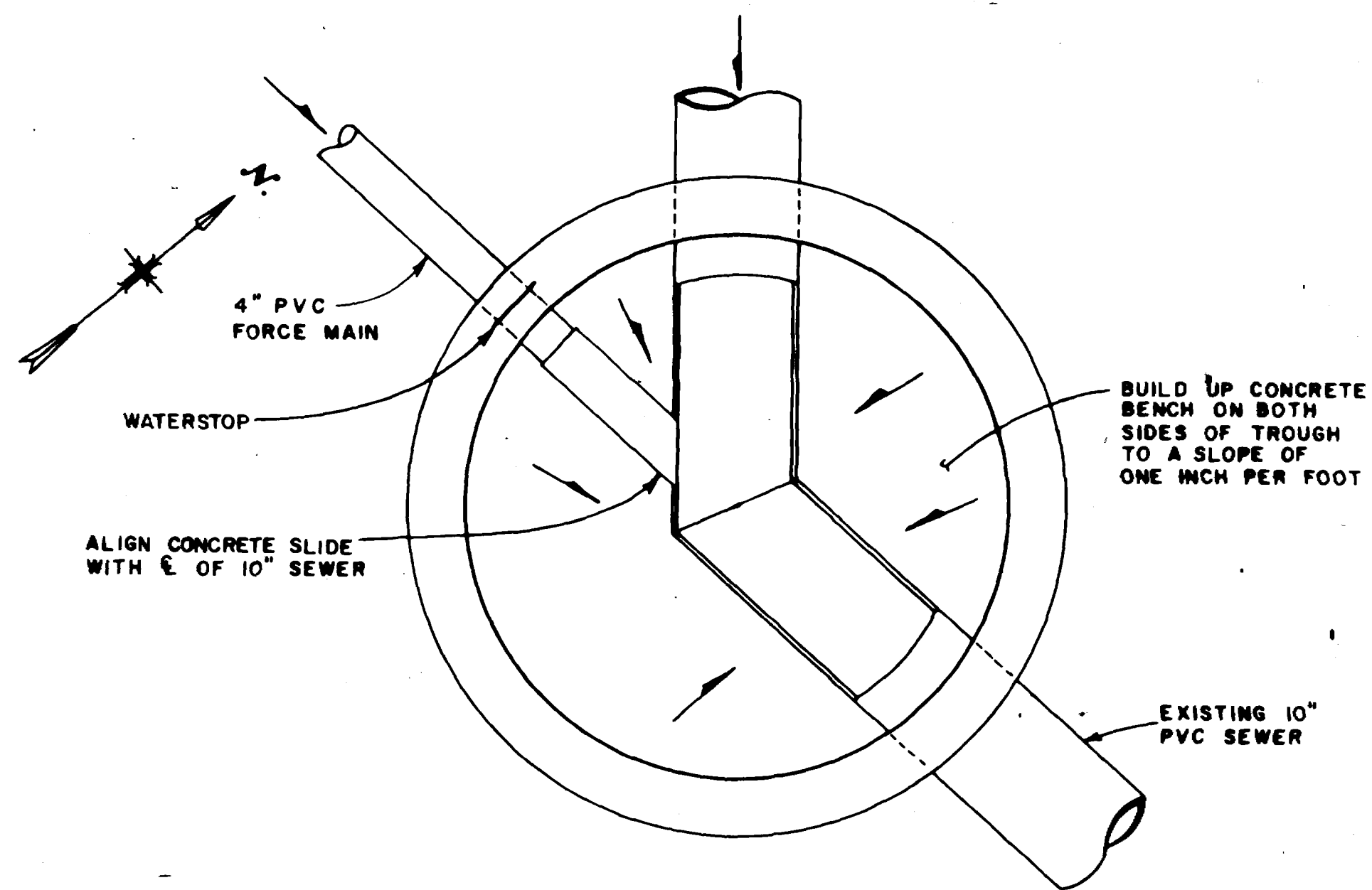
**WET WELL - PLAN VIEW**  
SCALE: 1" = 2'-0"



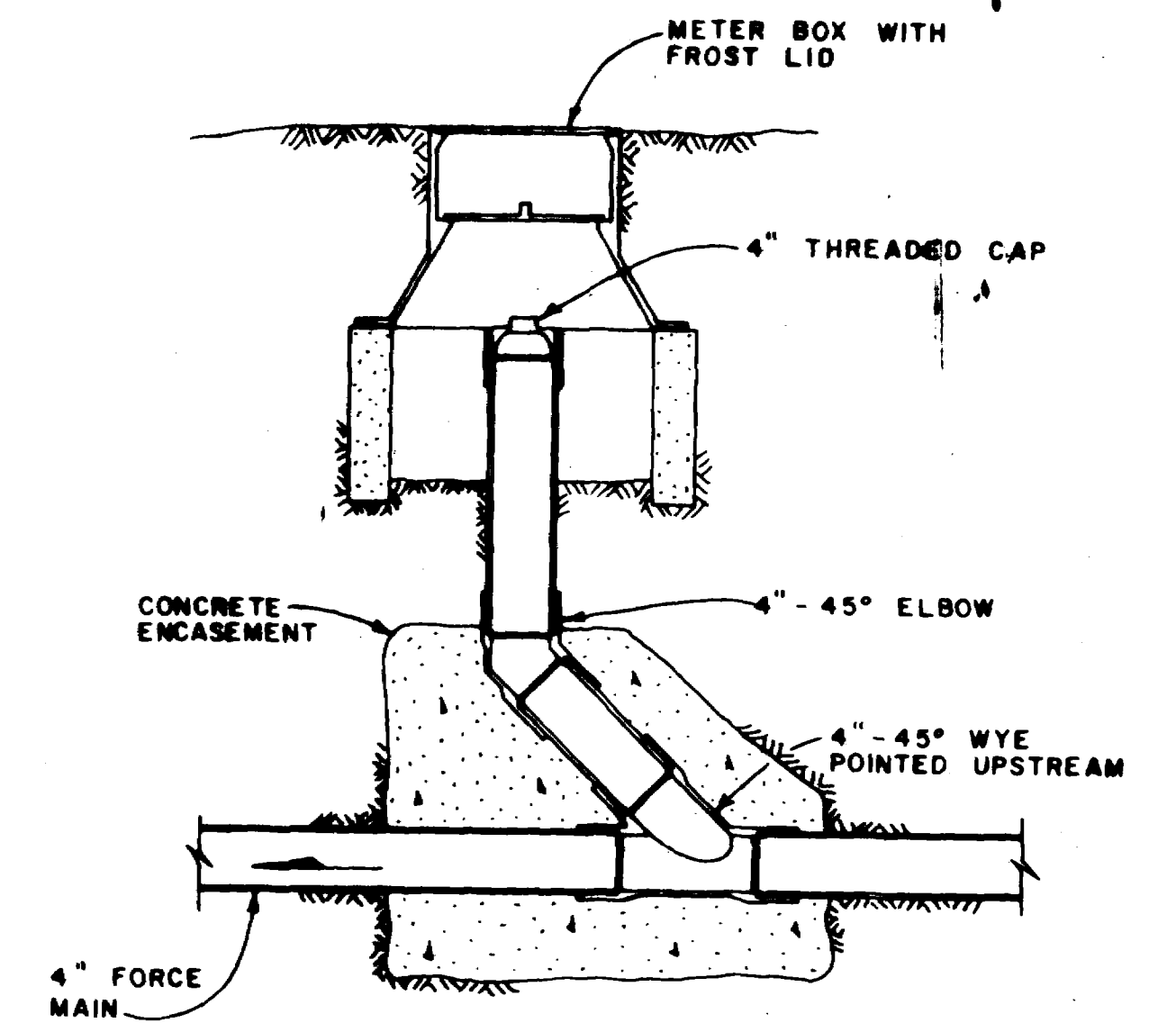
**SECTION A - A**  
SCALE: 1" = 2'-0"



**LIFT STATION**  
(SMITH & LOVELESS STANDARD DRAWING  
MODIFIED TO DEPICT ACTUAL CONDITIONS)  
NOT TO SCALE



**FORCE MAIN CONNECTION  
TO MANHOLE 12 - A**  
SCALE: 1" = 1'-0"

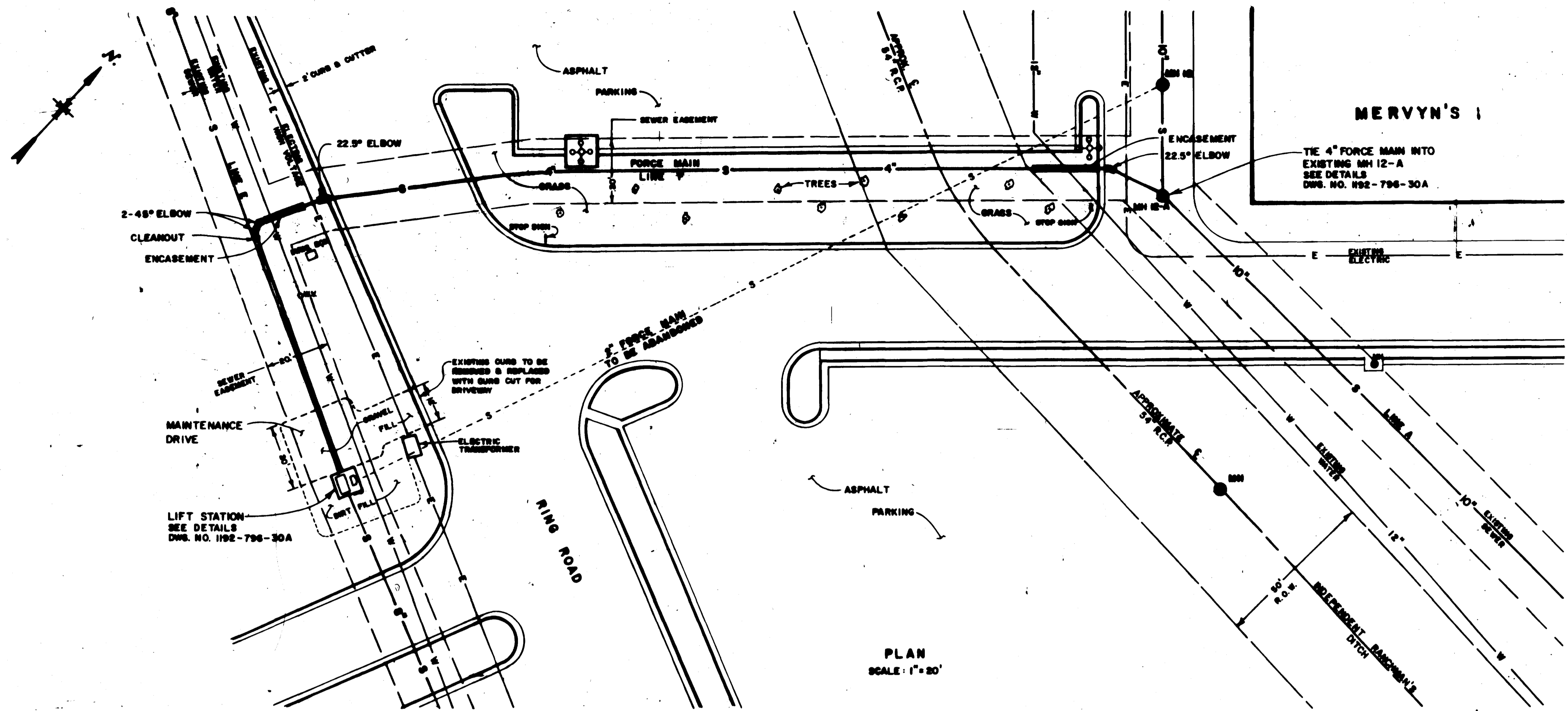


**CLEAN-OUT**  
SCALE: 1" = 1'-0"



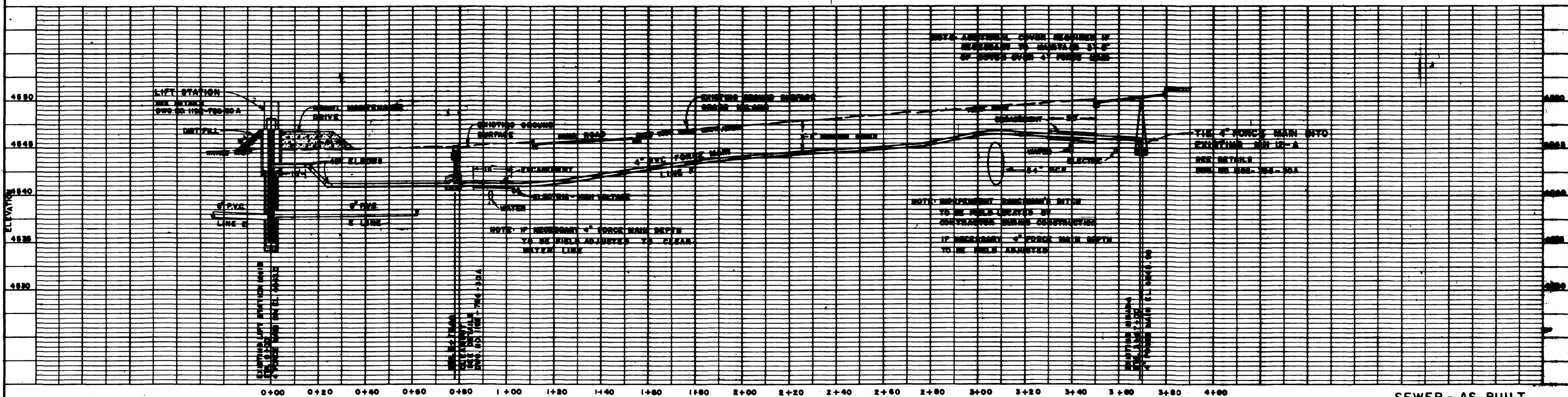
SEWER - AS BUILT			
KELCO CONSTRUCTION: NOVEMBER 1984			
GENERAL GROWTH COMPANIES MESA MALL			
MH-18 LIFT STATION AND FORCE MAIN DETAILS			
DESIGN	T. K. H.	DRAWN	G. L. L.
DATE	10/2/84	DWG. NO.	1192-796-30A

NOTES: SEWER SHALL BE INSTALLED IN ACCORDANCE WITH THE CITY OF GRAND JUNCTION SPECIFICATIONS FOR CONSTRUCTION OF WATER LINES, SANITARY SEWERS, STORM DRAINAGE, AND IRRIGATION SYSTEMS AND WITH CITY STANDARD DETAILS. SEWER FLOW SHALL BE MAINTAINED BY CONTRACTOR DURING CONSTRUCTION. CONTRACTOR SHALL PROTECT AND REPLACE TREES, GRASS AND IRRIGATION LINES WHICH ARE REQUIRED TO BE REMOVED DURING CONSTRUCTION. ALL UTILITIES ARE APPROXIMATE LOCATIONS AND TO BE LOCATED BY THE CONTRACTOR BEFORE CONSTRUCTION. FORCE MAIN SHALL BE 4" PVC CLASS 125. SEE AS-BUILT DRAWINGS FOR MESA MALL SEWER LAYOUT LINE A & LINE B. DWG. NO. 798-9A AND DWG. NO. 798-21.



MERVYN'S  
TIE 4" FORCE MAIN INTO EXISTING MH 12-A SEE DETAILS DWG. NO. 1192-798-30A

PLAN  
SCALE: 1" = 20'



PROFILE  
SCALE: HORIZ. 1" = 20'  
VERT. 1" = 5'



SEWER - AS BUILT  
KELCO CONSTRUCTION NOVEMBER 1998  
GENERAL GROWTH COMPANIES  
MESA MALL  
MH-18 LIFT STATION AND  
4" FORCE MAIN  
PLAN & PROFILE

DESIGN: J.S.	DRAWN: S.V.V.	CHECKED: S.M.M.
DATE: 10/3/98	DWG. NO. 1192-798-30B	