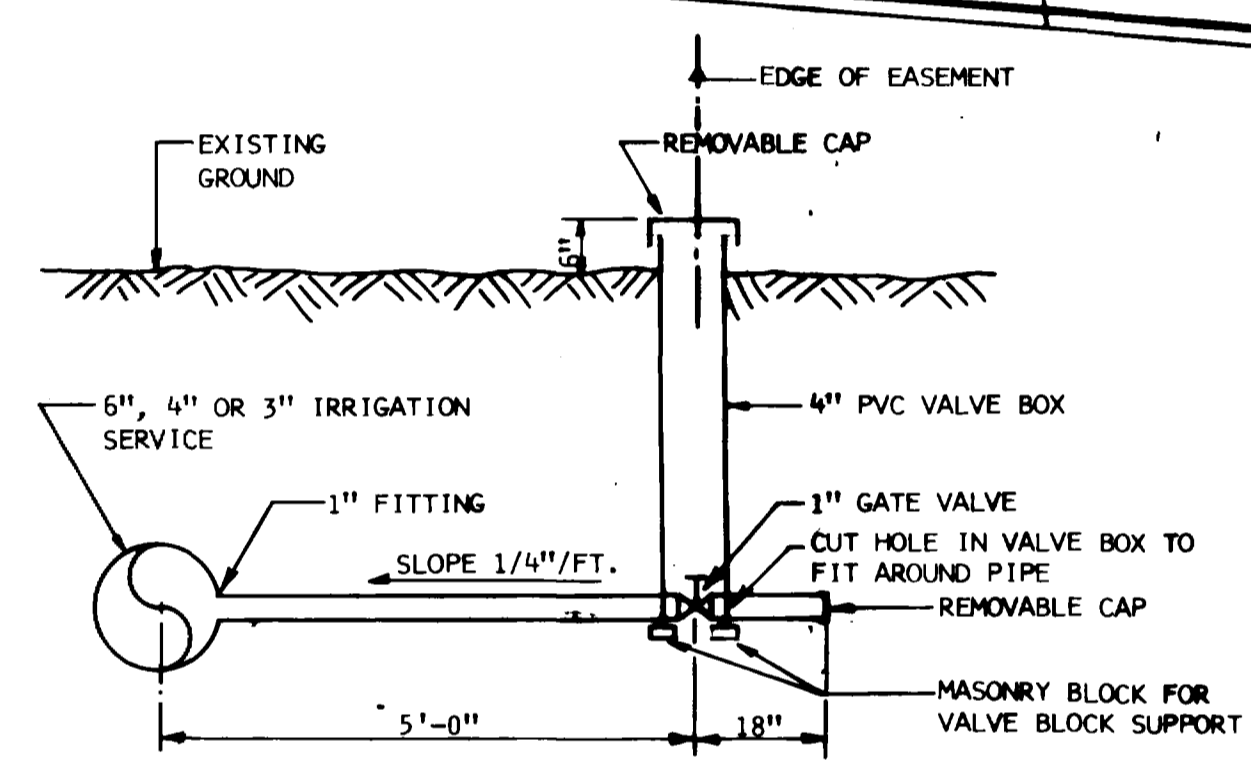


STATIONING AND CURVES:

- STA. 0+00 CONNECT TO EXISTING MH SEE DETAIL 1/3
- STA. 3+26.2 MH-1  $\Delta = 29^{\circ}21'21''$  LT
- STA. 5+18.7 MH-2  $\Delta = 47^{\circ}58'28''$  RT
- STA. 9+18.7 MH-3  $\Delta = 07^{\circ}04'18''$  LT
- STA. 13+18.7 MH-4  $\Delta = 30^{\circ}00'42''$  RT
- STA. 14+88.7 MH-5  $\Delta = 39^{\circ}54'42''$  RT

- MODIFICATIONS TO TIARA RADO IRRIGATION SYSTEM**
1. REPLACE EXISTING 4" FORCE MAIN AND CONTROL CABLE BETWEEN (A) AND (B) WITH NEW 4" FORCE MAIN AND CONTROL CABLE.
  2. REPLACE EXISTING 6" SERVICE LINE BETWEEN (C) AND (D) WITH NEW 6" SERVICE LINE.
  3. INSTALL NEW 6", 4", AND 3" SERVICE LINES TO LOTS IN FILING NO. 5.
  4. ALL IRRIGATION TAPS TO BE 1 INCH WITH 1-INCH GATE VALVE.
  5. ALL NEW LINES TO BE PVC CLASS 160 WITH DUCTILE IRON SLEEVES AT CROSSINGS UNDER TIARA VISTA DRIVE.
  6. SERVICE LINE WILL HAVE TWO DRAIN LINES TO THE REDLANDS IRRIGATION DITCH AT (F) AND (I). DRAIN LINES WILL BE 3" IN SIZE AND CONTROLLED BY GATE VALVES.
  7. AT (C) TWO NEW 6" GATE VALVES WILL BE INSTALLED TO ISOLATE BRANCHES OF THE SERVICE LINE.



**TYPICAL IRRIGATION SERVICE**  
NOT TO SCALE

NOTE: 15 SERVICES REQUIRED. LOCATE NEAR CENTER OF LOT.

**SANITARY SEWER SERVICE LINE LOCATION**

LOT NUMBER*	STATION
3	14 + 24
5	12 + 30
6	11 + 29
7	10 + 26
8	9 + 23
9	8 + 08
10	6 + 32
11	6 + 21
12	3 + 78
13	3 + 23
15	13 + 89
16	14 + 22
17	15 + 12
18	15 + 90
19	16 + 44

\* IDENTIFIED ON PLAN VIEW AS (1)

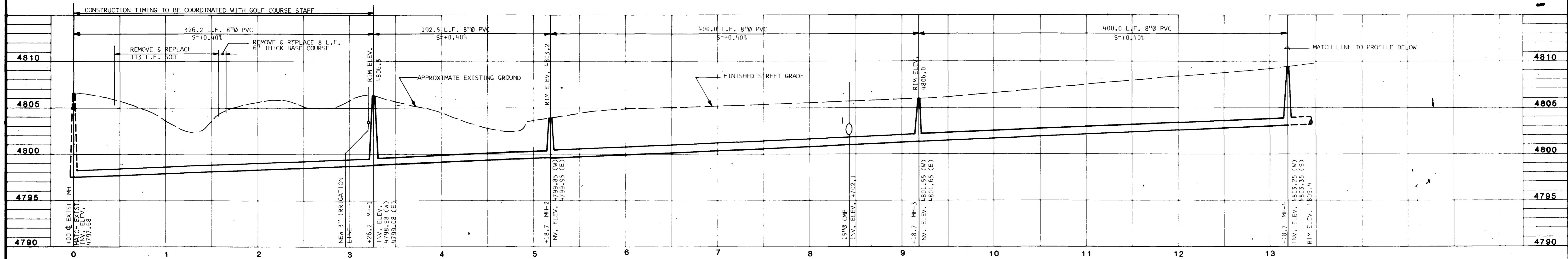
NOTE: LOTS NUMBER 1, 2, 4, AND 14 DO NOT HAVE SERVICE LINES.

NOTE: UTILITIES NOT SHOWN ON THE SITE PLAN, SUCH AS TELEPHONE, CABLE TV, POWER AND GAS, WILL BE INSTALLED BY RESPECTIVE UTILITY COMPANY DURING CONSTRUCTION OF THIS CONTRACT. CONTRACTOR SHALL BE RESPONSIBLE FOR COORDINATING CONSTRUCTION WITH ALL UTILITY COMPANIES.

**SITE PLAN**  
SCALE: 1" = 50'

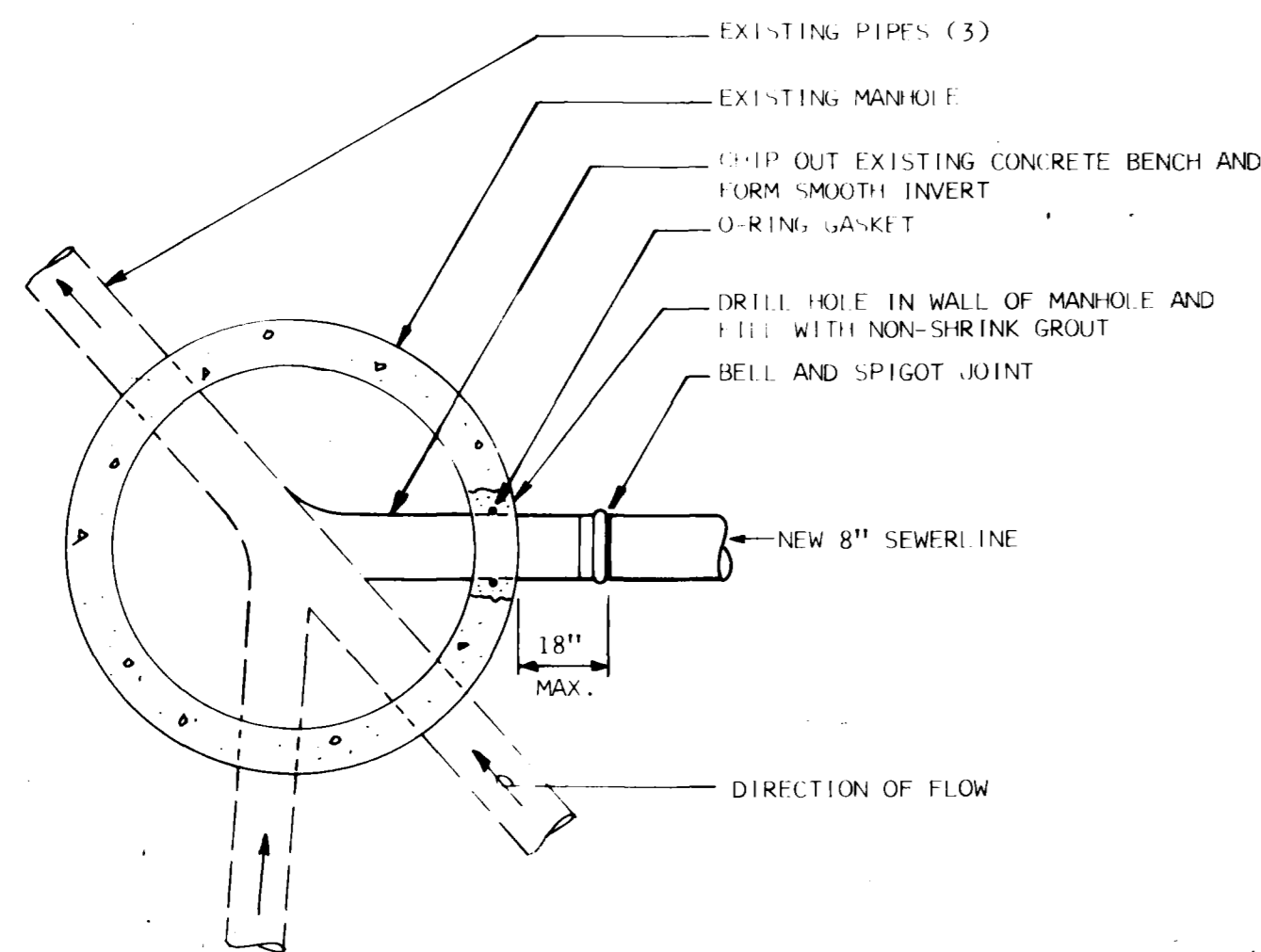


<p><b>ARIX</b> Engineers Architects Planners</p>	<p>THIS DRAWING IS THE PROPERTY OF ARIX, AND IS NOT TO BE REPRODUCED, COPIED OR USED FOR ANY OTHER PROJECT OR EXTENSION OF THIS PROJECT EXCEPT BY AGREEMENT WITH SAID COMPANY.</p>	SCALE	AS NOTED	<p>MESA COUNTY, COLORADO</p> <p><b>TIARA RADO SUBDIVISION</b></p> <p>FILING NO. FIVE</p> <p>UTILITIES SITE PLAN</p>
		DRAWN	MP	
		CHECKED	CKK	
		APPROVED	JEE	
DATE	FEBRUARY 1989	PROJECT NO.	88183.00	



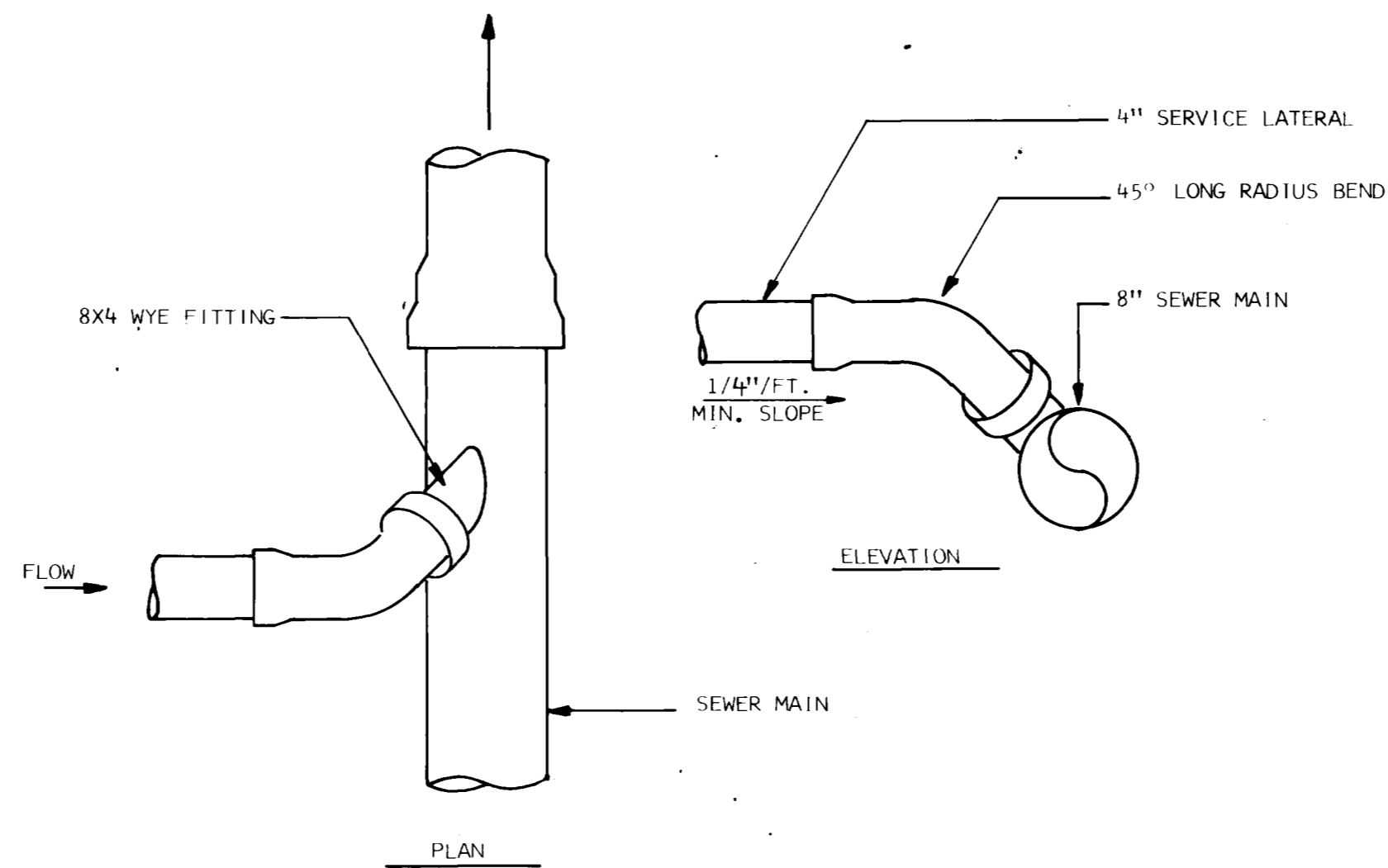
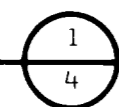
**SANITARY SEWER PROFILE**

SCALE: 1" = 50' HORIZ.  
1" = 5' VERT.



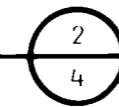
**CONNECTION TO EXISTING MANHOLE**

NOT TO SCALE



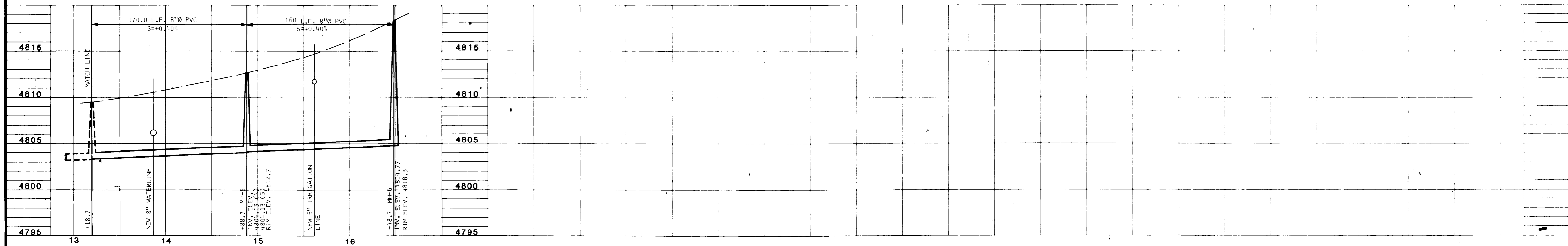
**SEWER SERVICE CONNECTION DETAIL**

NOT TO SCALE



**NOTE:**

REFER TO CITY OF GRAND JUNCTION DEPARTMENT OF PUBLIC WORKS AND ENGINEERING DIVISION STANDARD MANHOLE SECTION FOR INVERT CONSTRUCTION (DRAWING DATED 6/85).



**SANITARY SEWER PROFILE CONTINUED**

SCALE: 1" = 50' HORIZ.  
1" = 5' VERT.

A Professional Corporation

**ARIX**

Engineers Architects Planners

Greeley, Colorado  
Grand Junction, Colorado  
Riverton, Wyoming

THIS DRAWING IS THE PROPERTY OF ARIX, AND IS NOT TO BE REPRODUCED, MODIFIED OR USED FOR ANY OTHER PROJECT OR EXTENSION OF THIS PROJECT EXCEPT BY AGREEMENT WITH SAID COMPANY.

SCALE AS NOTED

DRAWN MP  
CHECKED CKK  
APPROVED JEE

DATE FEBRUARY 1989  
PROJECT NO. 88183.00

MESA COUNTY, COLORADO

TIARA RADO SUBDIVISION  
FILING NO. FIVE

SANITARY SEWER  
PROFILE AND DETAILS