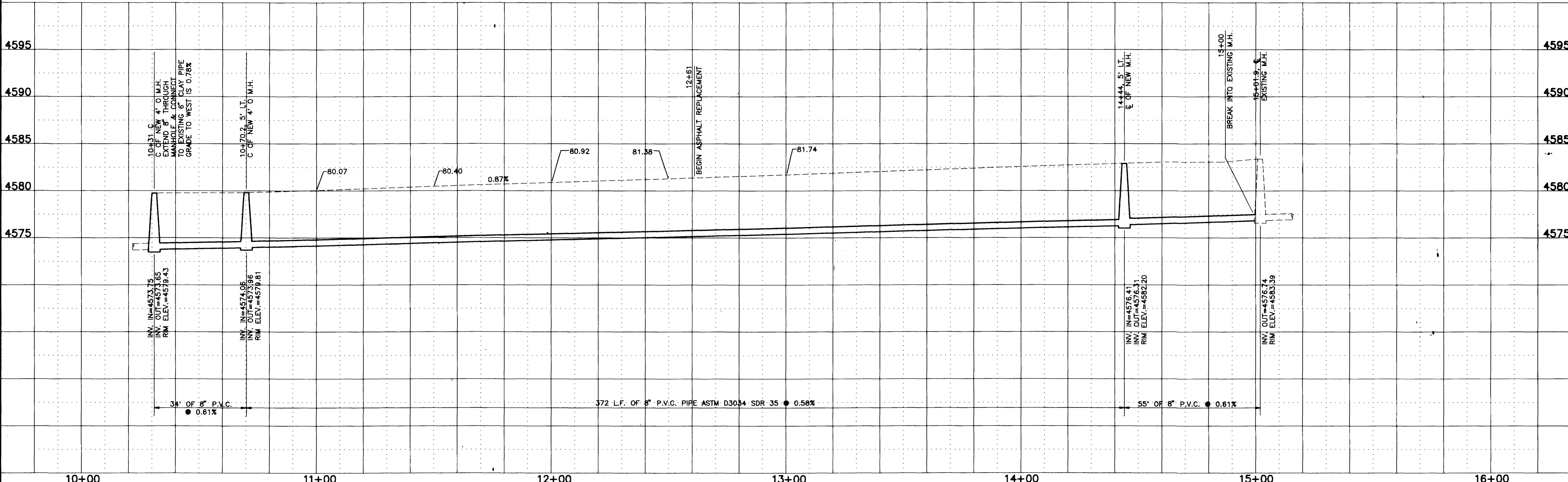
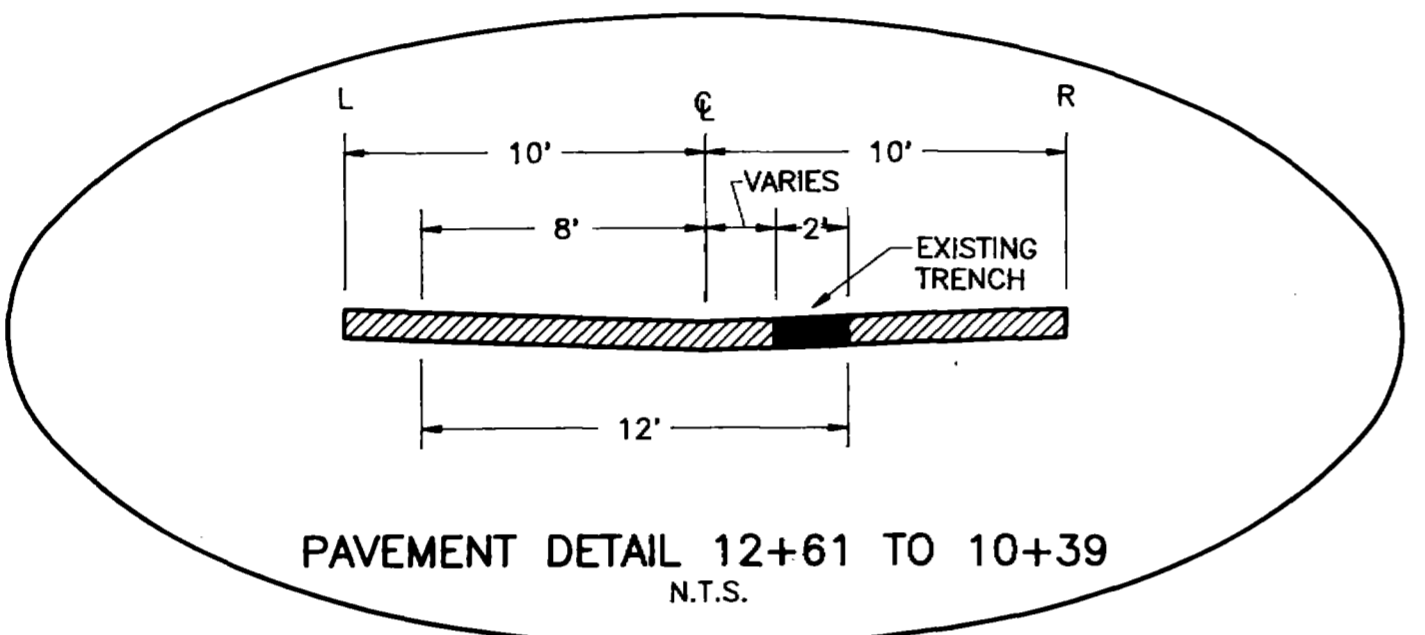
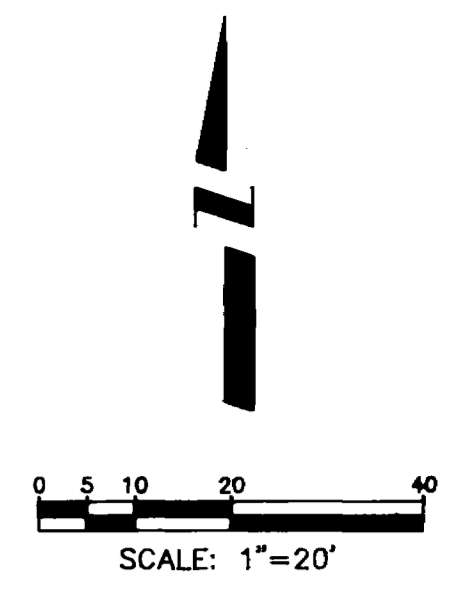
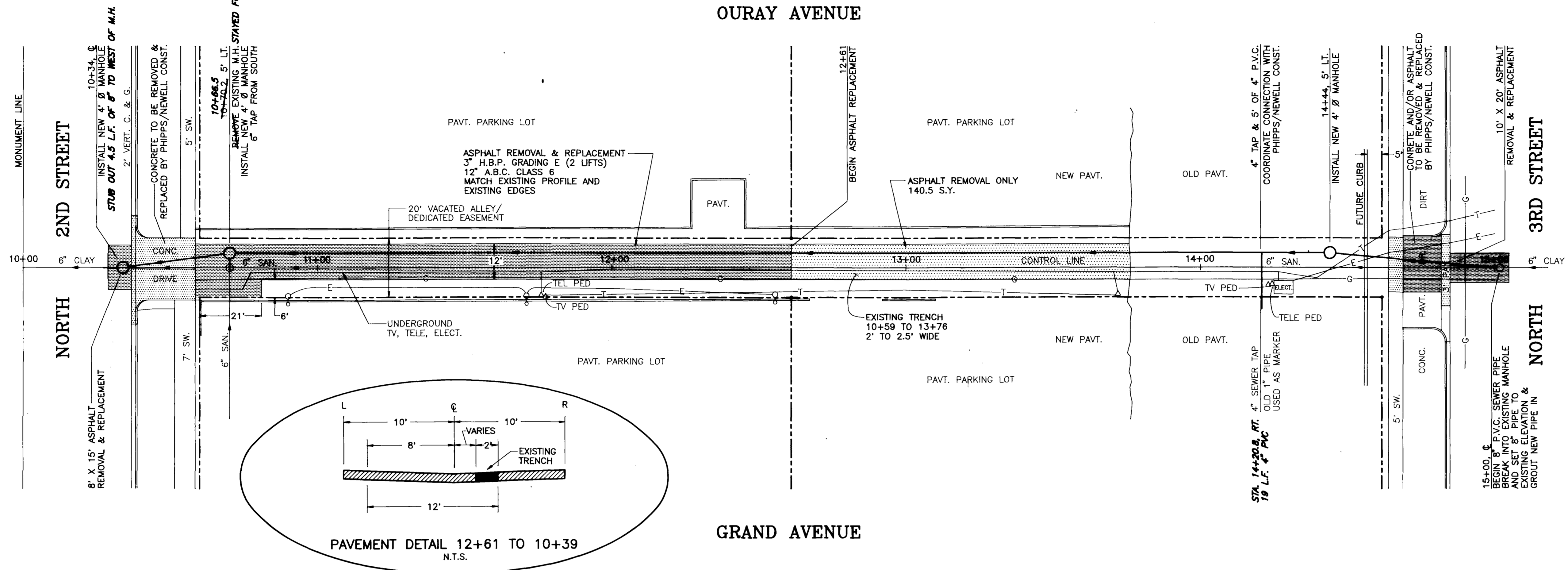


OURAY AVENUE



REVISION AS-BUILT, 3/22/03, GAK.	DATE 3/22/03	DRAWN BY C. KADEL	DATE 10/89	DEPARTMENT OF PUBLIC WORKS AND UTILITIES ENGINEERING DIVISION CITY OF GRAND JUNCTION, COLORADO	SANITARY SEWER REPLACEMENT 2nd STREET to 3rd STREET BETWEEN GRAND AVENUE & OURAY AVENUE Plan & Profile	SHEET NO. 19 OF 18+1
CHECKED BY JJB	DATE 10/89	APPROVED BY JJB	DATE 10/89			FILE NO. ALE72-3.DWG
FIELD BOOK NO.	PAGE	SCALE PLAN HORIZ. 1"=20' HORIZ. 1"=20' VERT. 1"=5'				