

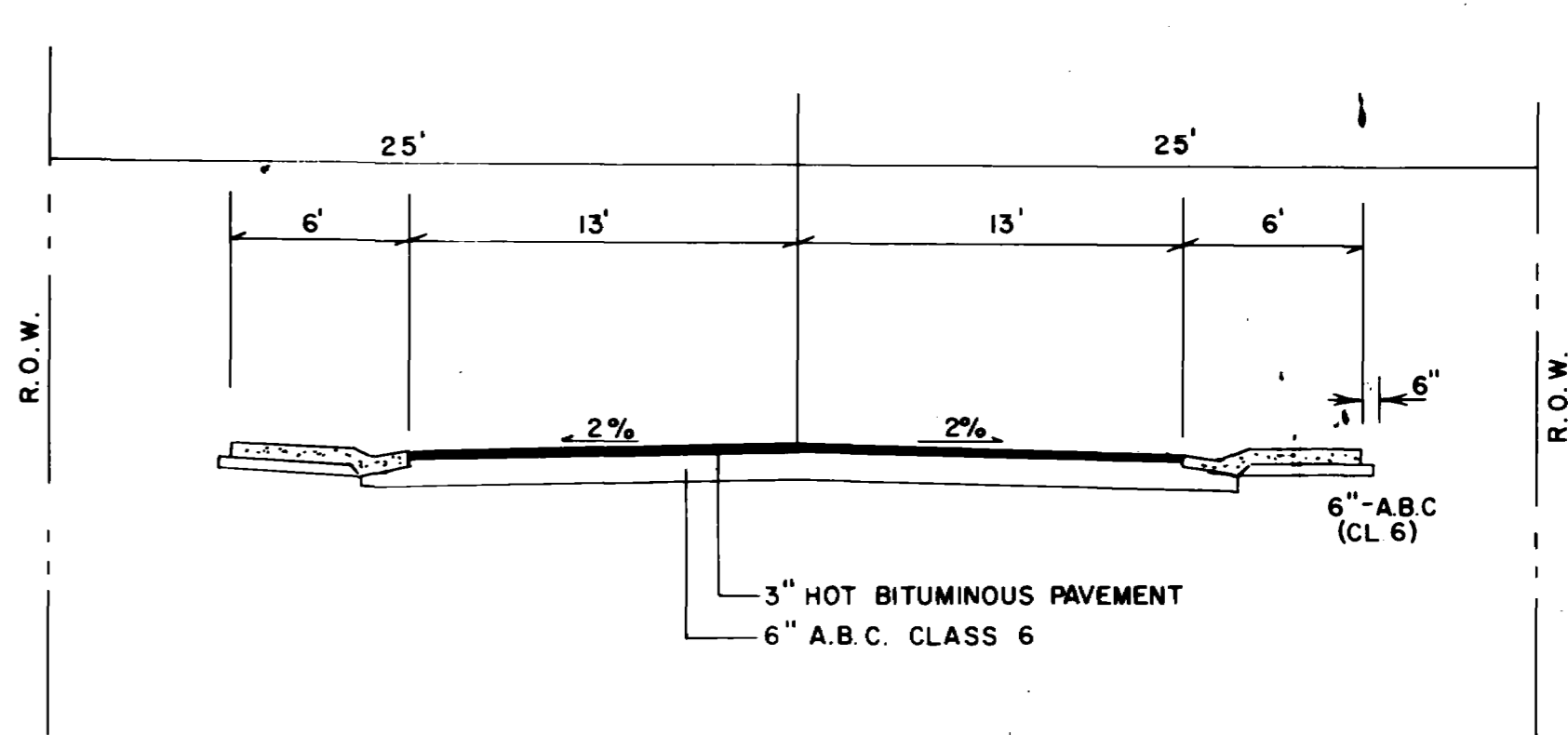
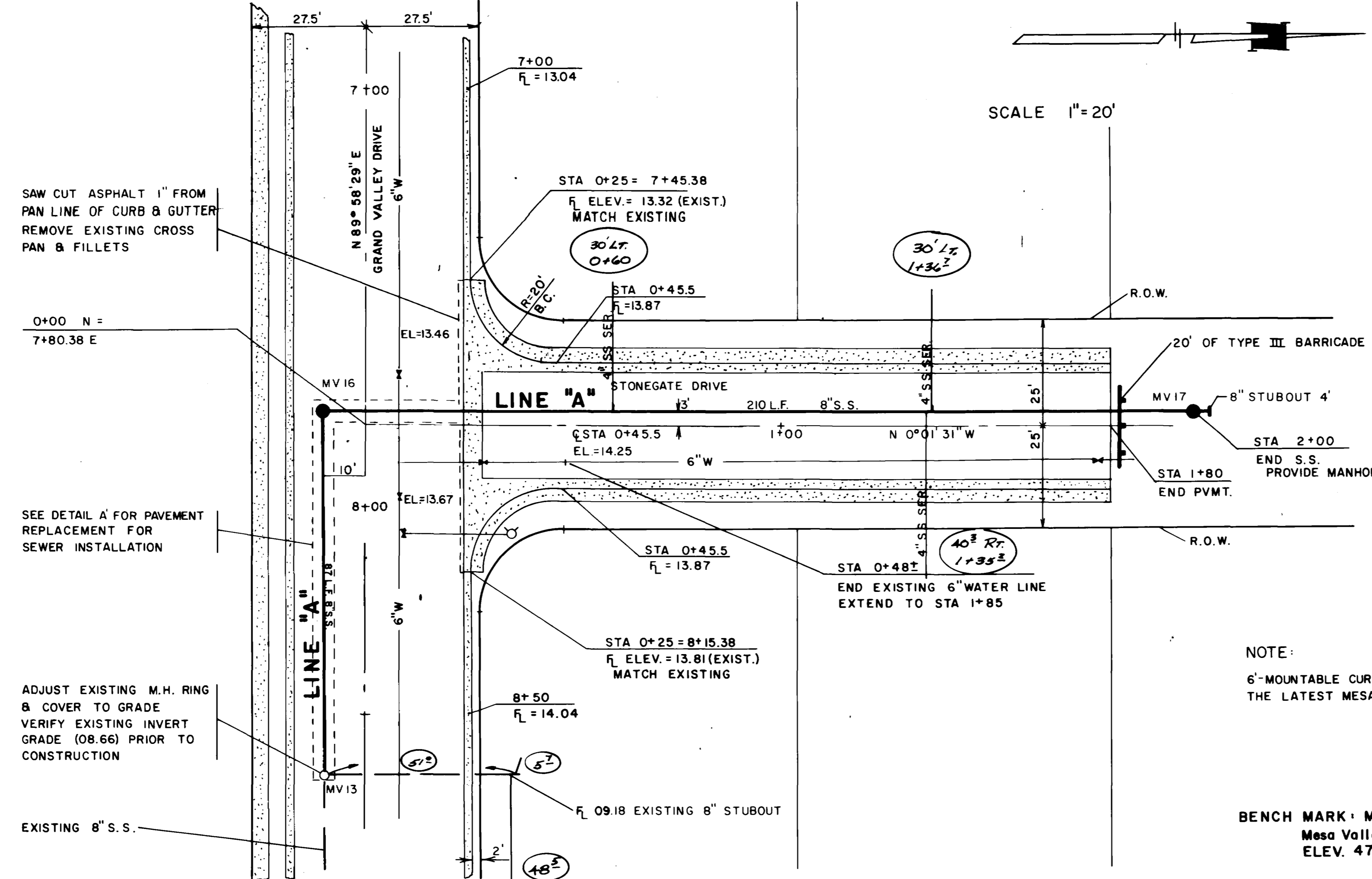
APPROVED FOR CONSTRUCTION

*Steven T. LaBonte*  
CENTRAL GRAND VALLEY  
SANITATION DISTRICT  
DATE: 4/20/90

ACCEPTED AS CONSTRUCTED

*Steven T. LaBonte*  
CENTRAL GRAND VALLEY  
SANITATION DISTRICT  
DATE: 6/3/90

SCALE 1" = 20'



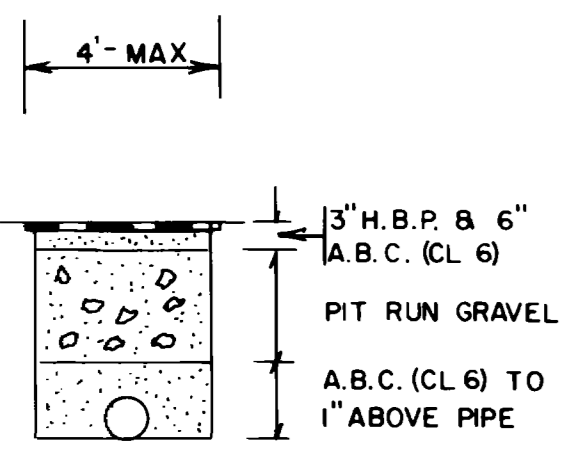
BUILT DRAWINGS

SAW CUT ASPHALT 1" FROM PAN LINE OF CURB & GUTTER REMOVE EXISTING CROSS PAN & FILLETS

SEE DETAIL A' FOR PAVEMENT REPLACEMENT FOR SEWER INSTALLATION

ADJUST EXISTING M.H. RING & COVER TO GRADE VERIFY EXISTING INVERT GRADE (08.66) PRIOR TO CONSTRUCTION

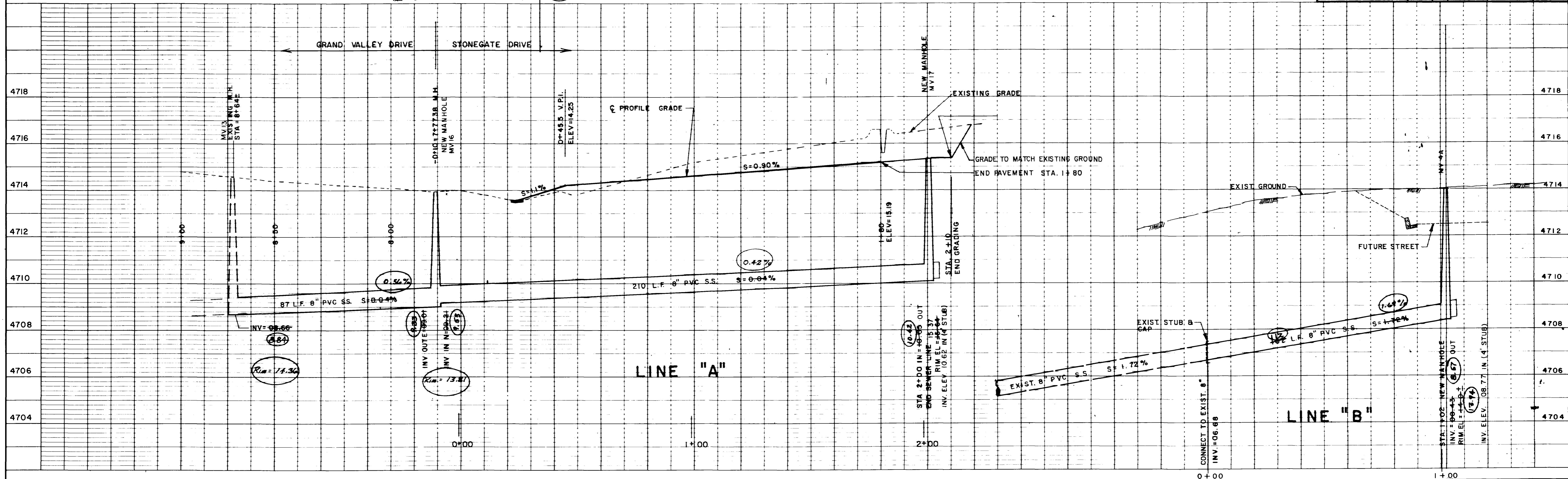
EXISTING 8" S.S.



NOTE:  
6'-MOUNTABLE CURB, GUTTER & SIDEWALK TO MEET THE LATEST MESA COUNTY ROAD SPECIFICATIONS

BENCH MARK: Mesa County Survey Monument  
Mesa Valley Drive & F Road.  
ELEV. 4710.35

	NO. DATE		REVISION	BY
	STONEGATE SUBDIVISION STREET & SEWER PLAN & PROFILE			
ROLLAND ENGINEERING 518 28 Road Suite 8-103 Grand Junction, Colorado 81501 (303) 243-8300	EXTENDED FOR DATE 2/90	CHECKED CBC	JOB NO.	SHEET 3 OF 6



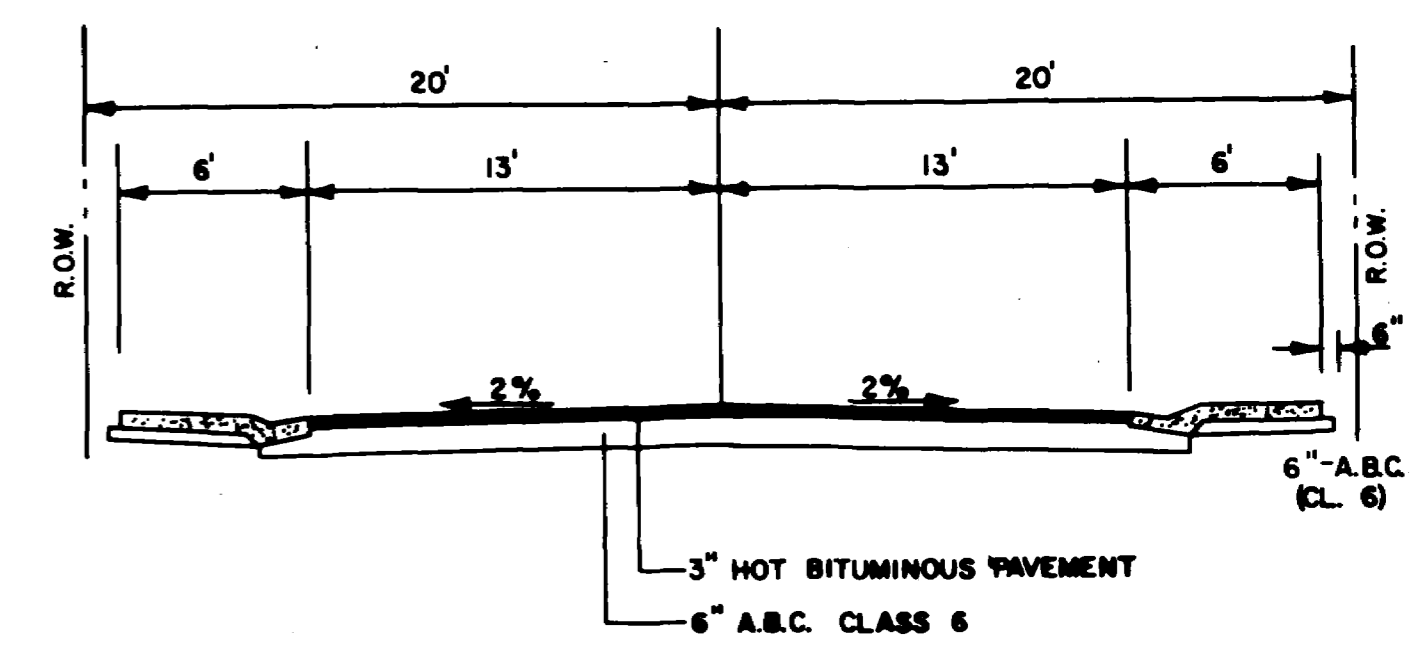


APPROVED FOR CONSTRUCTION  
*Stephen T. LaBorde*  
 CENTRAL GRAND VALLEY  
 SANITATION DISTRICT  
 DATE: 10/22/90

ACCEPTED AS CONSTRUCTED  
*Stephen T. LaBorde*  
 CENTRAL GRAND VALLEY  
 SANITATION DISTRICT  
 DATE: 12/17/90

**LEGEND**  
 MH - MANHOLE  
 FH - FIRE HYDRANT  
 L - FLOW LINE  
 STA - STATION  
 E - CENTER LINE  
 EL - ELEVATION  
 S.S. - SANITARY SEWER  
 L.F. - LINEAL FEET  
 W - WATER LINE  
 O - WATER METER

NOTE: INSTALL CAPS ON ALL  
 4" S.S. LATERALS



TYPICAL SECTION  
 CAMELOT CT. & CAMELOT PL.  
 NOTE: 6" MOUNTABLE CURB, GUTTER & SIDEWALK  
 TO MEET THE LATEST MESA COUNTY  
 ROAD SPECIFICATIONS  
 BENCH MARK: MESA COUNTY SURVEY MONUMENT  
 MESA VALLEY DRIVE & F ROAD.  
 ELEVATION = 4710.35

**AS BUILT DRAWINGS**

NOTE: WATER AS BUILT PER CLIFTON WATER 11/17/90

1	10/15	REVISED STREET GRADERS	7/20
2	11/15	AS BUILT	11/90
3	12/15	REVISION	12/90

STONEGATE SUBDIVISION  
 STREET & SEWER  
 PLAN & PROFILE

DESIGNED	MDY	CHECKED	TDW	DATE	10/90	SHEET	2
DRAWN	CFO	DATE	10/90				2

ROLLAND ENGINEERING  
 318 28 Road  
 Suite 8-103  
 Grand Junction, Colorado 81501  
 (303) 243-8300

