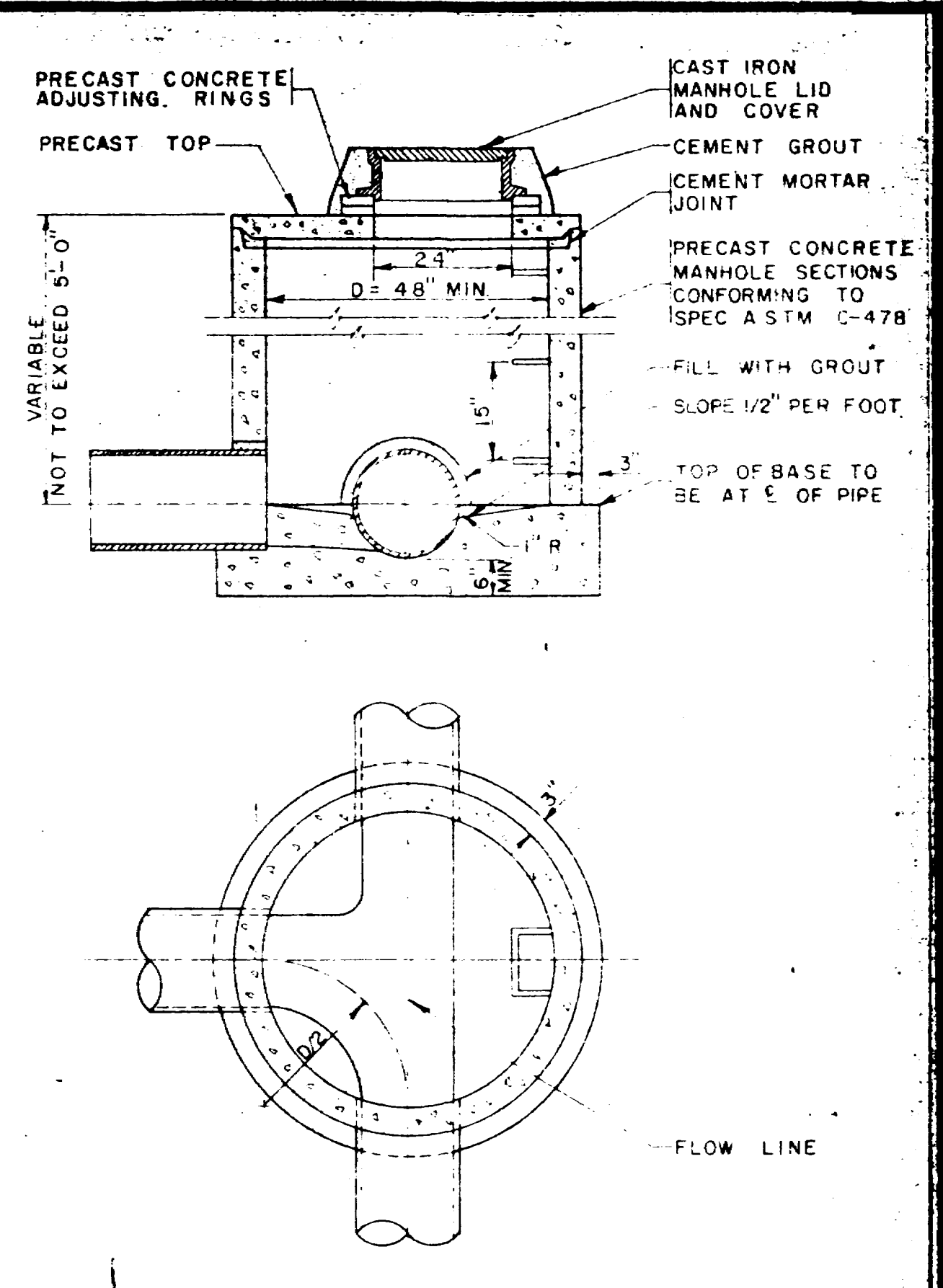
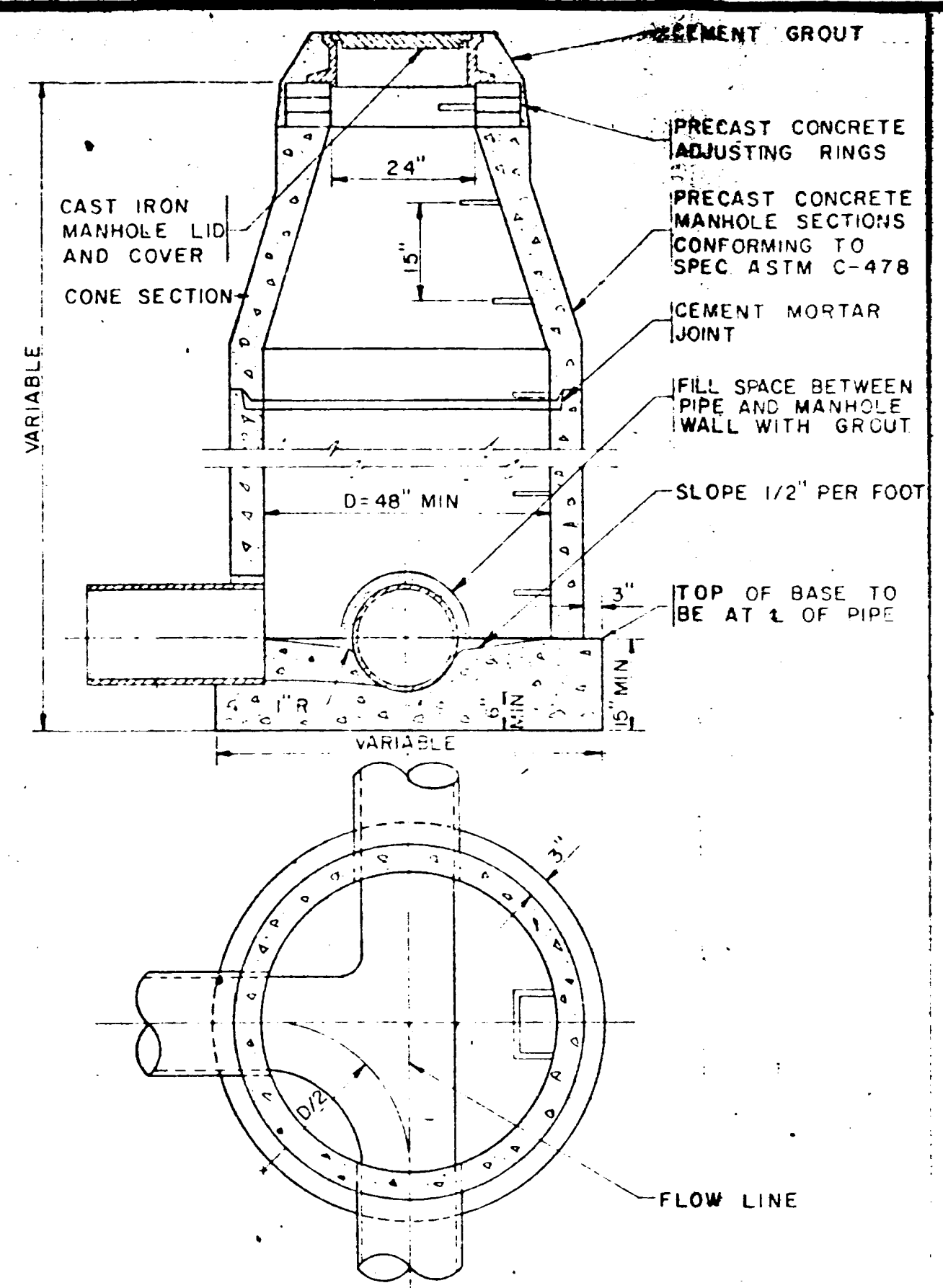
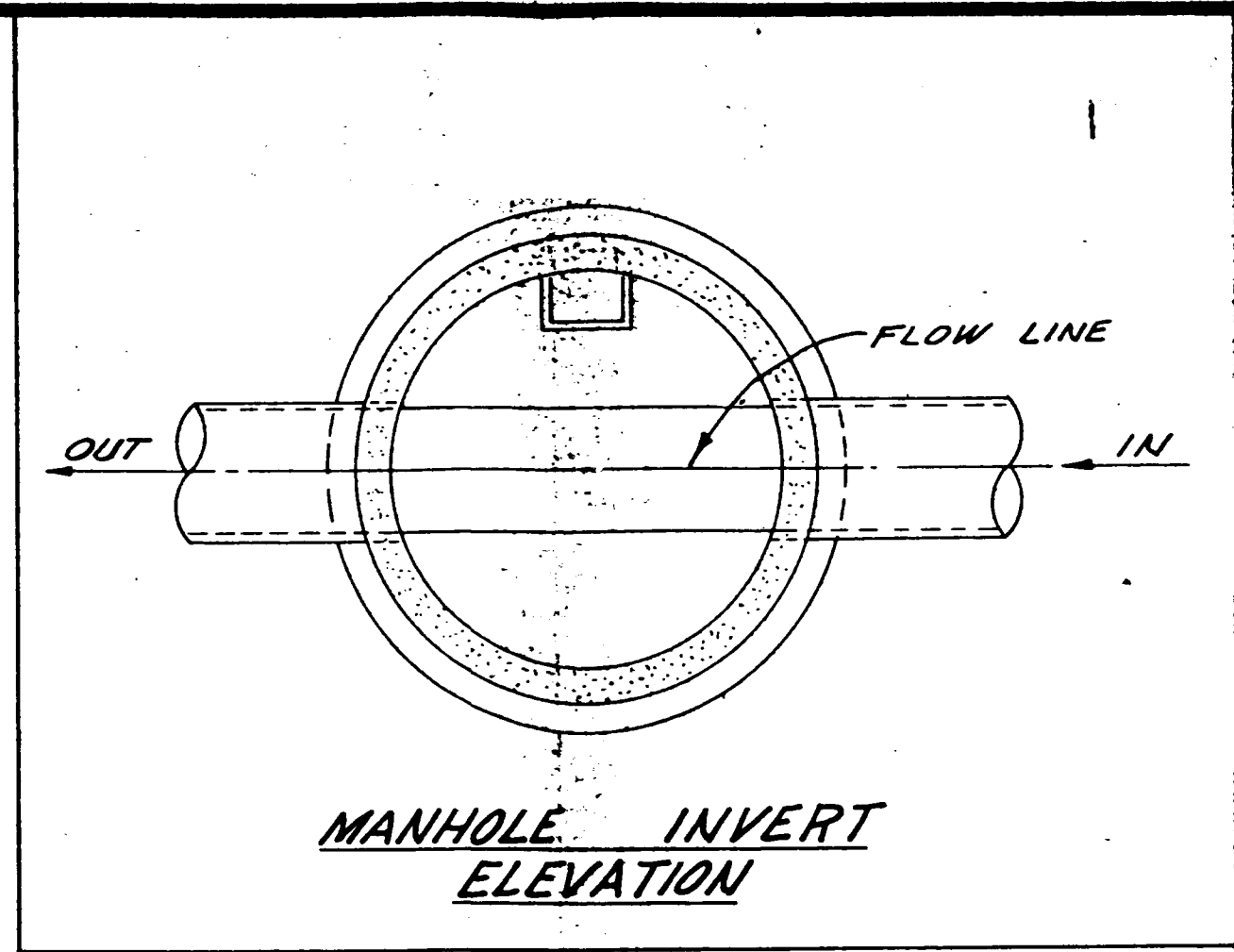
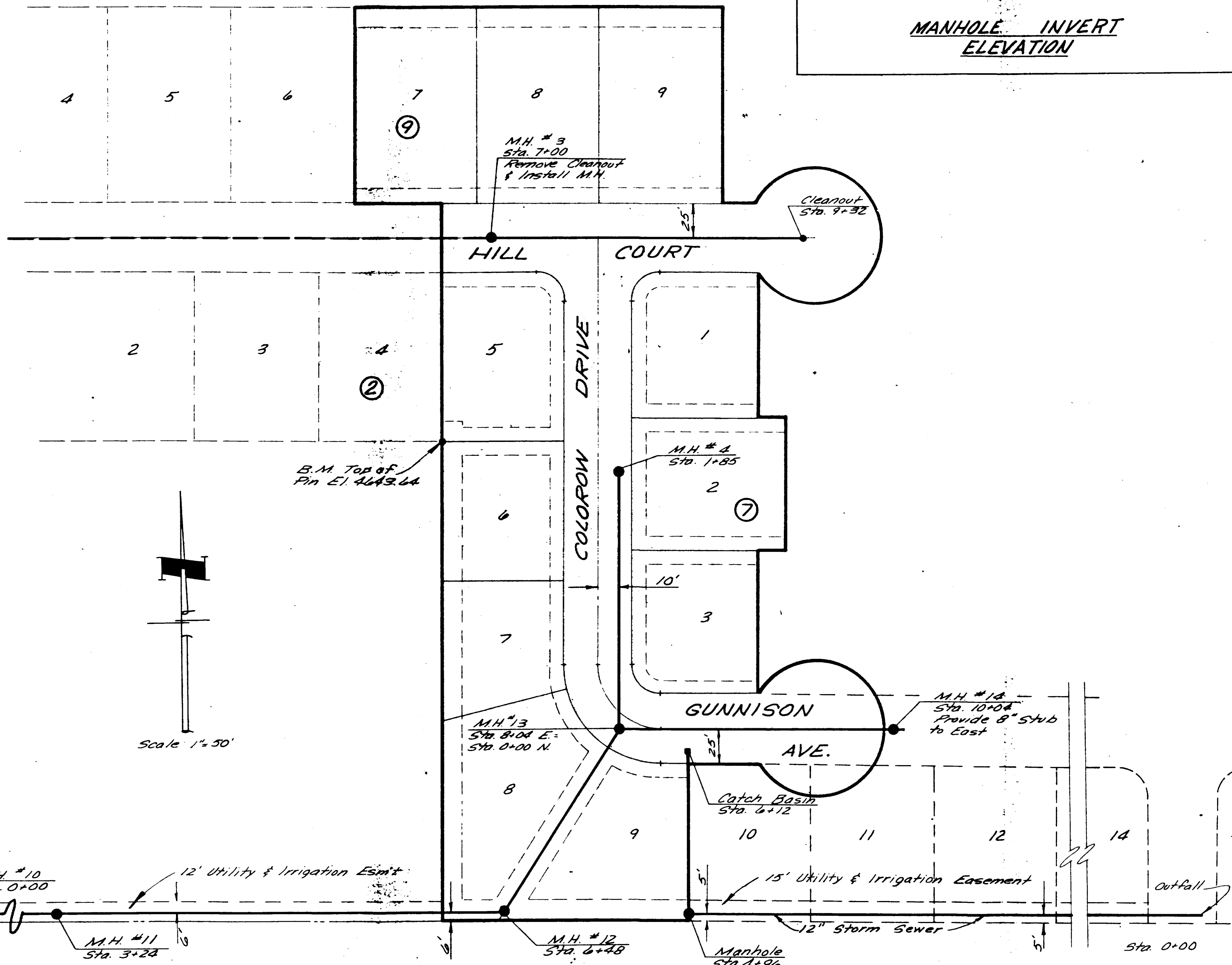


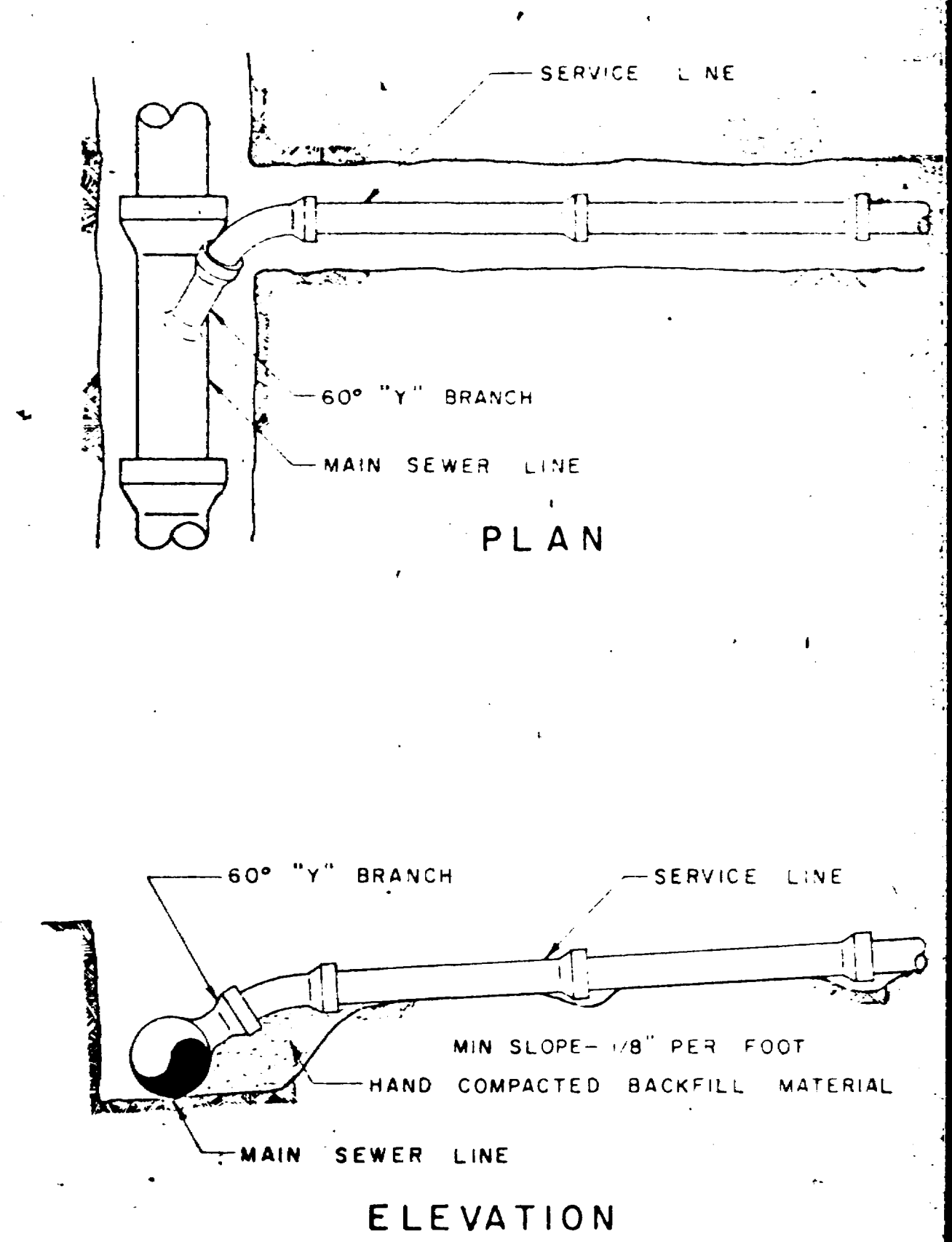
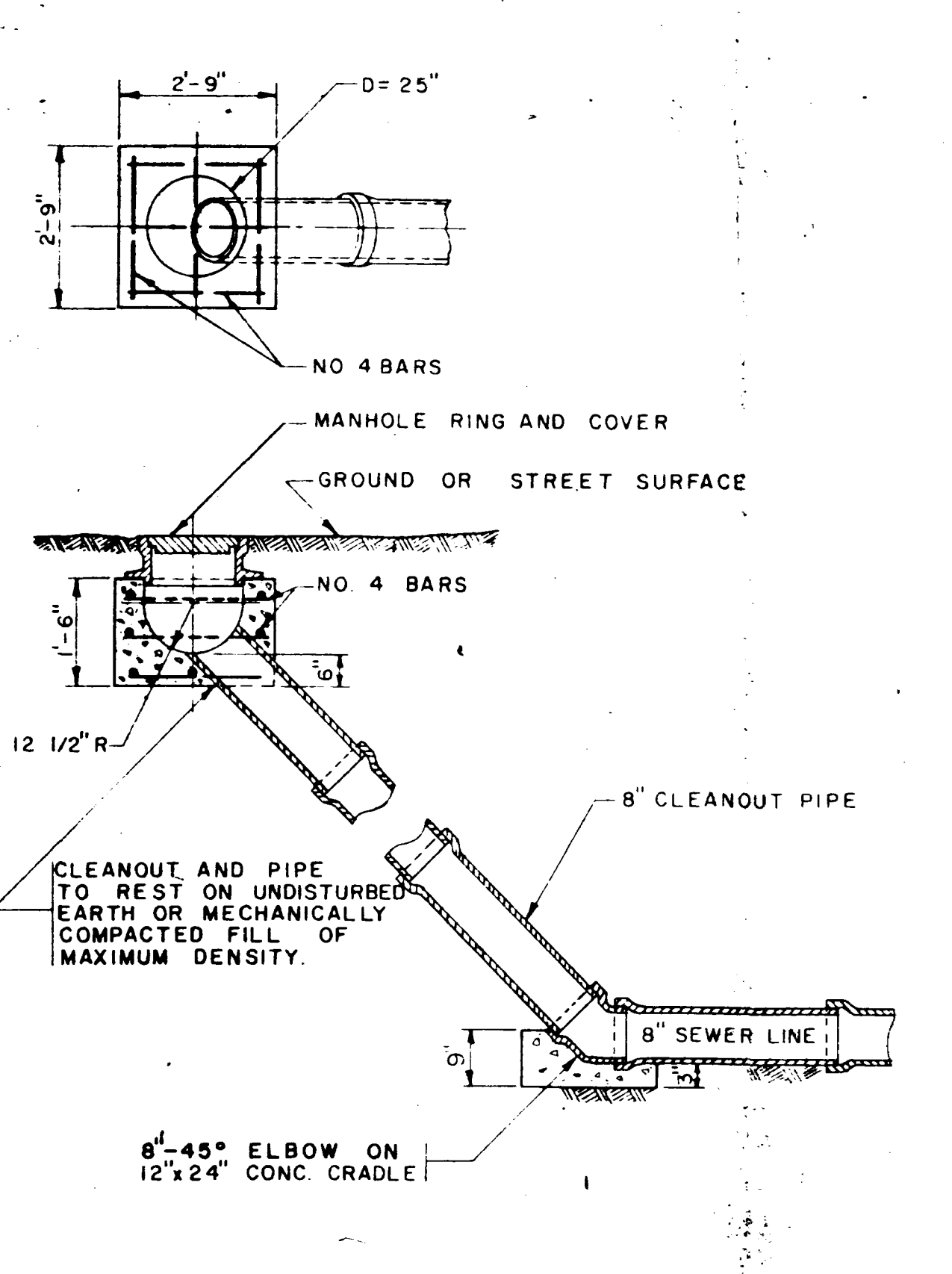
B.M. Nail in Power Pole
In 30 Road El. 4643.83



CONSTRUCTION STANDARDS STANDARD MANHOLE STANDARD NO. 201



CONSTRUCTION STANDARDS SHALLOW MANHOLE STANDARD NO. 210



CONSTRUCTION STANDARDS SANITARY SEWER CLEANOUT STANDARD NO. 215



CONSTRUCTION STANDARDS WYE CONNECTION STANDARD NO. 225

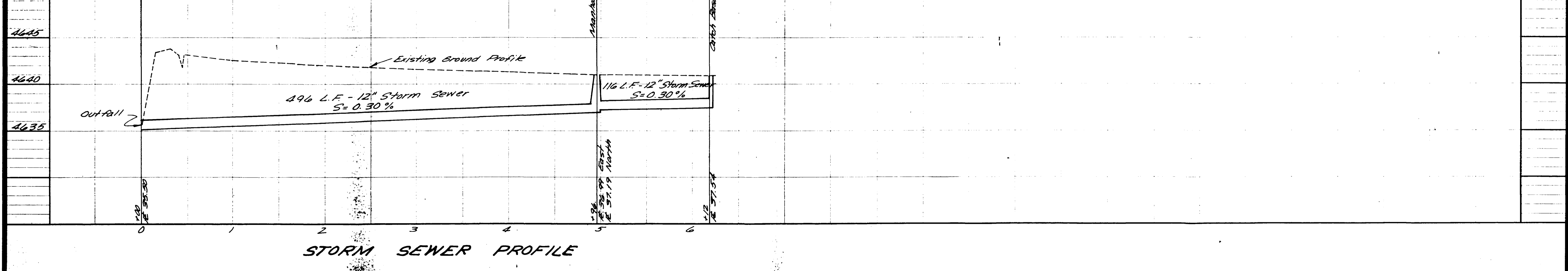
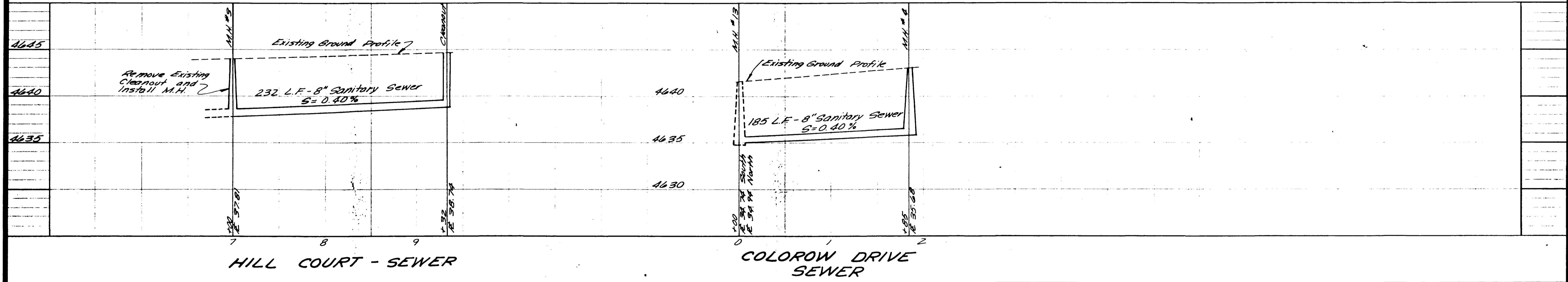
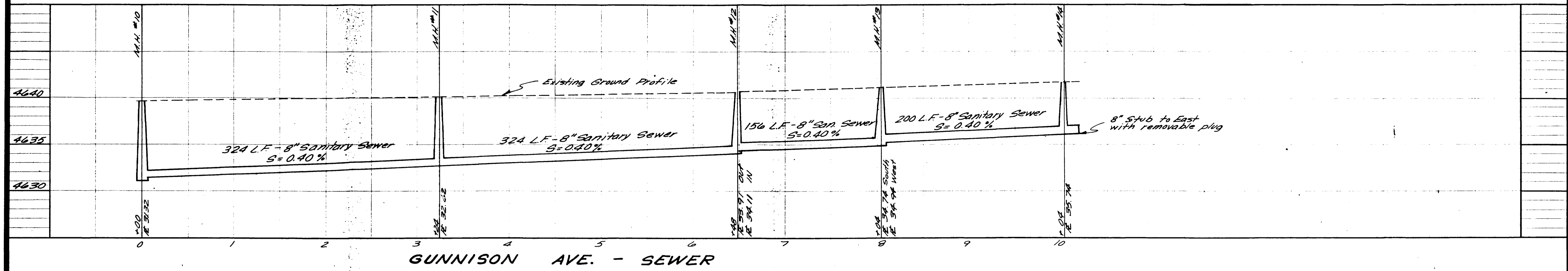


NELSON - HALEY - PATTERSON AND QUIRK ENGINEERING CONSULTANTS

FRUITWOOD SUBDIVISION FILING NO. 3, MESA COUNTY, COLORADO

SANITARY & STORM SEWER PLAN & DETAILS

2 1



DATE MAY 1975		DRAFTSMAN R.J.S.	DEPT. HEAD	ENGINEERING NH CONSULTANTS		NELSON - HALEY - PATTERSON AND QUIRK ENGINEERING CONSULTANTS		FRUITWOOD SUBDIVISION FILING NO. 3 MESA COUNTY, COLORADO		SANITARY SEWER PROFILES STORM SEWER PROFILES		2 2	
SCALE Horiz. 1"=50' Vert. 1"=5'		PROJECT ENGR. E.J.S.	CONST. REP.	PROJECT MGR. J.T.P.									
NO.	BY	DATE	APPROVED	REVISIONS									