

DESIGNED BY	TIN
DRAWN BY	M.S.
SURVEY DATE	May 23, 1995

FUTURE FILING

Existing Manhole  
Rim Elev. = 4585.54  
N Inv. in = 4577.05  
S Inv. in = 4577.05  
Inv. out = 4577.04

See Water and Sewer  
Asbuilt plans for Vista  
del Rio, Filing 2, for  
additional information

SEWER NOTES:

- All construction & materials shall comply with the County of Mesa's specifications & standard details
- CONSTRUCTION REQUIREMENTS:** When a water and sewer line are within 10 feet horizontally (centerline distance) of each other and the sewer line is above or less than 18 inches (clear distance) below the water line, the portion of the sewer line within that area shall:
  - be constructed of approved waterline pipe and joints (Ductile Iron Cement mortar lined pipe conforming to AWWA C 151, or PVC. Pipe conforming to AWWA C 900 Class 150, DR 18).
  - be constructed of SDR 35 pvc sewer pipe with all joints within 10 feet of the water line enclosed in a concrete collar that is a minimum of 6 inches thick and 12 inches long, centered on the joint, or
  - a designed protection system subject to the review and approval of the City's Utility Engineer.

In all cases, suitable backfill or other structural protection shall be provided to preclude the settling or failure of both pipes.

In no case, other than a crossing, shall a sewer line or water line be installed within 5 feet of each other. Crossings of sewer and water lines shall not be at an angle of less than 45 degrees unless approved by the City Utility Engineer.

- Leave Rim elevations 3" below finish grade - road contractor to bring rims to grade after paving and grout per Mesa County's specs.
- Sewer service laterals shall be installed 14' inside property line (Roadway Right-of-way line) and capped with water-tight plugs. They shall be marked with a 4"x4" buried vertically above the end of the pipe and extending 6" above the ground surface. The top 6" of the board shall be painted white.
- Cover sewer a minimum of 72"
- Pipe specifications: Main - PVC-ASTM D 3034 - SDR 35 8"  
PVC-AWWA C900 8"  
Laterals - PVC-ASTM D 3034 - SDR 35 4"

WATER NOTES:

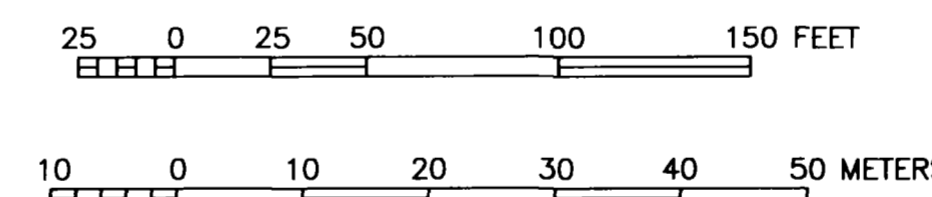
- All construction & materials shall comply with Ute Water and/or the County of Mesa's specifications & standard details
- All water services 3/4" copper Type K
- Extend all water laterals 14' inside property lines
- Water service locations shall be installed 14' beyond the property line (Roadway right-of-way line) and capped with corp. stops. They shall be marked with a 4"x4" buried vertically above the end of the pipe and extending 8" above the ground surface. The top 8" of the board shall be painted white.
- Cover minimum of 67"
- Pipe specifications: 8" water - C-900 Class 150 DR 18  
4" water - SDR 21

Trenches:

Trench backfill shall be compacted to 95% standard Proctor density in 12" lifts (max) in R.O.W.

SCALE:

1 inch = 50 feet (1:600)

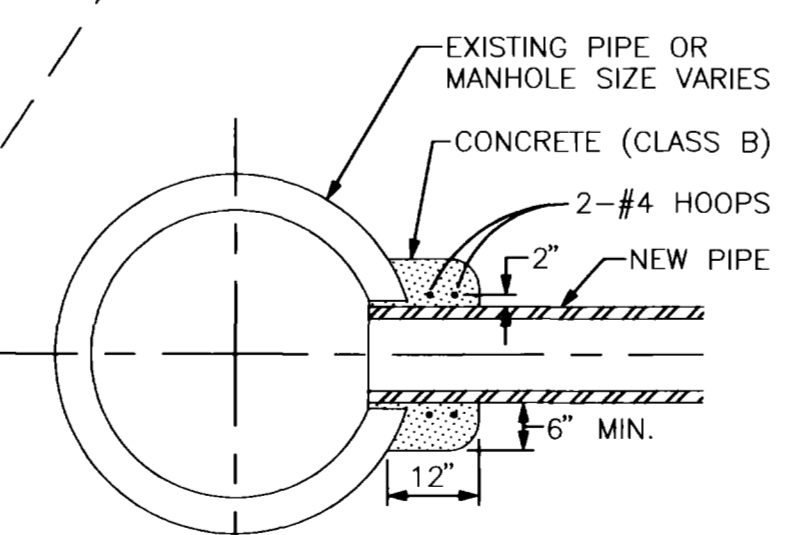
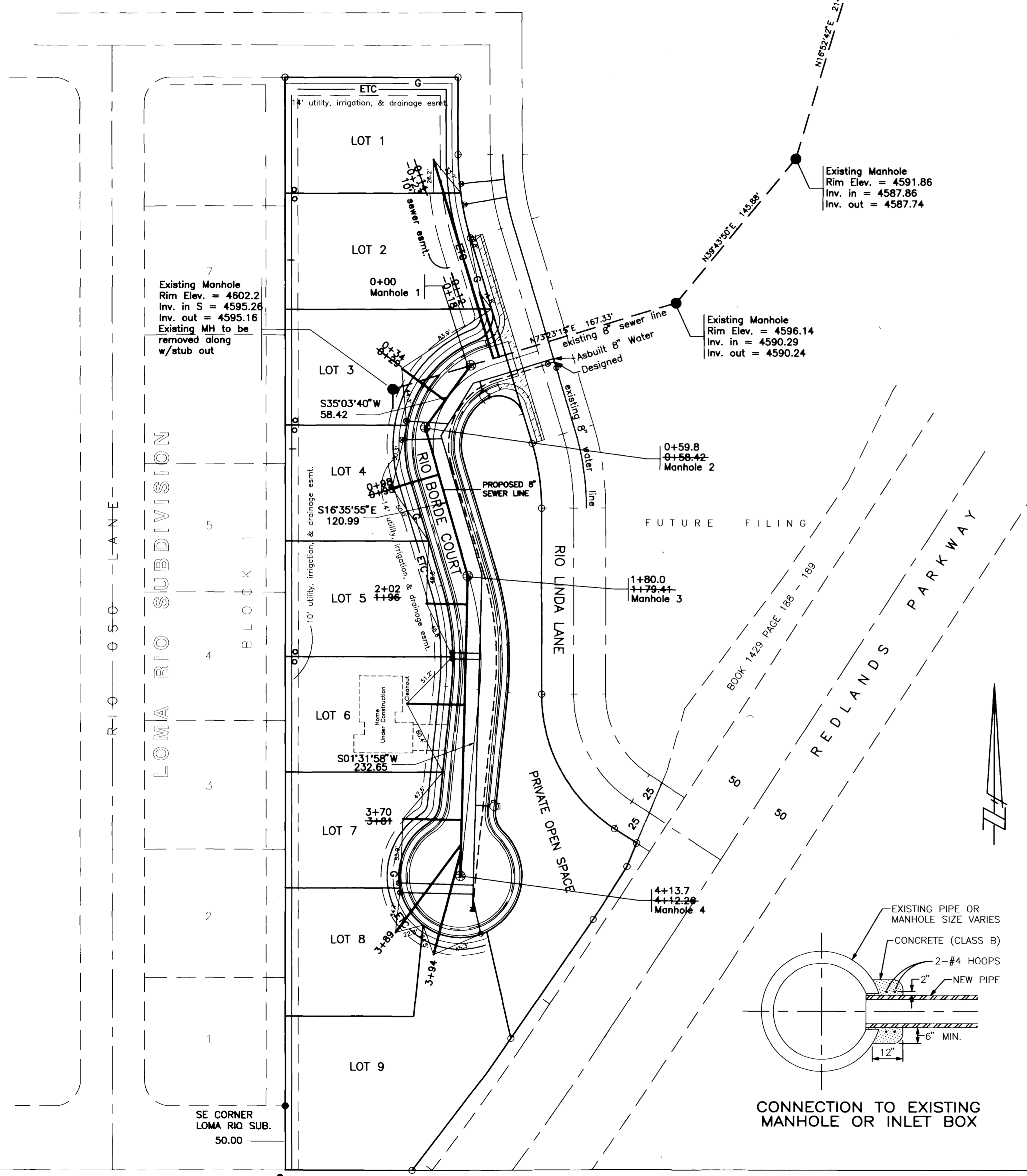


NOTES:

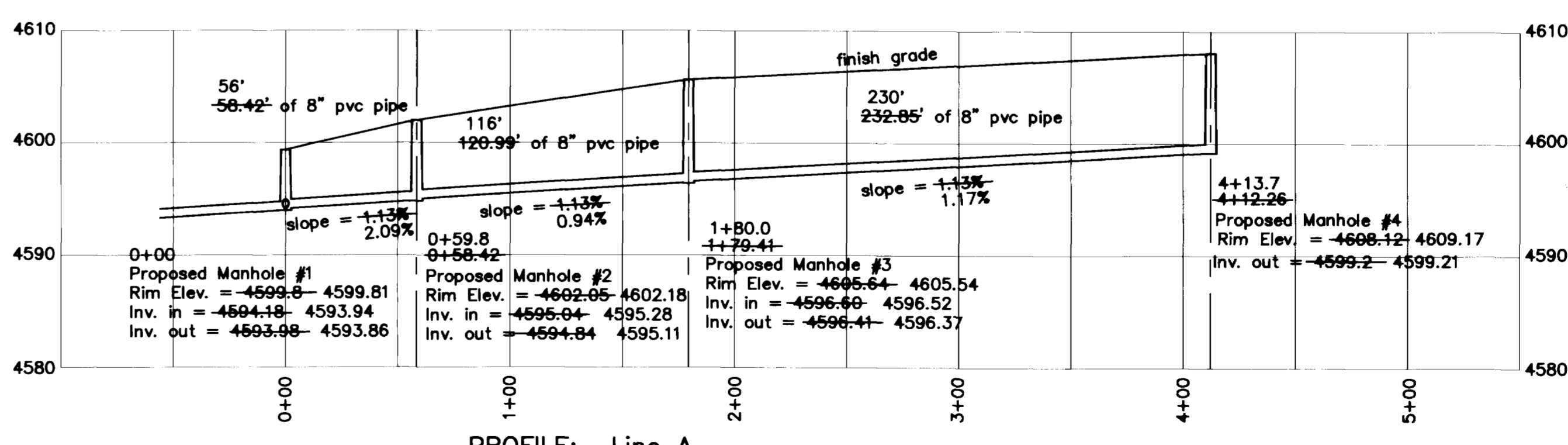
- ALL CONSTRUCTION TO COMPLY WITH THE COUNTY OF MESA'S STANDARDS & SPECIFICATIONS
- ALL IRRIGATION PIPE IS TO BE 100 PSI PIPE
- Elevation control bench = 4622.97 on Mesa County Brass Cap E1/4 corner Sec. 7, T1S, R1W, U.M.
- Also the found No. 5 re-bar at the SW corner of Vista Del Rio Subdivision
- All materials and workmanship shall be subject to inspection by the County of Mesa. The County of Mesa reserve the right to accept or reject any materials and workmanship that does not conform to the standards and specifications of the County of Mesa.
- The Contractor shall have one signed copy of the Plans, and a copy of the County of Mesa's standards and specifications at the job site at all times.

LEGEND:

- FOUND SURVEY MONUMENTS SET BY OTHERS NO. 5 RE-BAR
- SET NO. 5 RE-BAR W/CAP L.S. 16413 IN CONCRETE
- Mesa County Survey Monument
- SET NO. 5 RE-BAR W/CAP L.S. 16413
- FIRE HYDRANT
- DOMESTIC WATER VALVE BOX
- THRUST BLOCK
- STREET LITE
- IRRIGATION RISER
- PROPOSED 8" SEWER LINE AND MANHOLE MANHOLES ON PLAN VIEW NOT TO SCALE
- 8" WATER LINE
- 3" PRESSURIZED IRRIGATION LINE
- ELECTRIC, TELEPHONE, CABLE TV
- GAS
- EXISTING 8" SEWER LINE



CONNECTION TO EXISTING MANHOLE OR INLET BOX



**ASBUILT PLANS**  
PREPARED UNDER THE  
SUPERVISION OF  
Maurice L. Schumann PE No 15698

NO.	DATE	REVISIONS	BY
			REMARKS

**VISTA DEL RIO SUBDIVISION**  
WATER AND SEWER PLANS - ASBUILT

CIVIL ENGINEERING • PHOTOGRAMMETRY • SURVEYING  
751 Horizon Court • Grand Junction, Colorado 81508 • Phone: 970-245-7101



DATE DRAWN  
Jun 7, 1995

SCALE  
1 in = 50 ft

PROJECT NUMBER  
3184

SHEET NUMBER  
1 OF 1

NOTES: According to Colorado law, you must commence any legal action based upon any defect in this survey within three years after you first discover such defect. In no event may any action based upon any defect in this survey be commenced more than ten years from the date of the certification shown hereon.