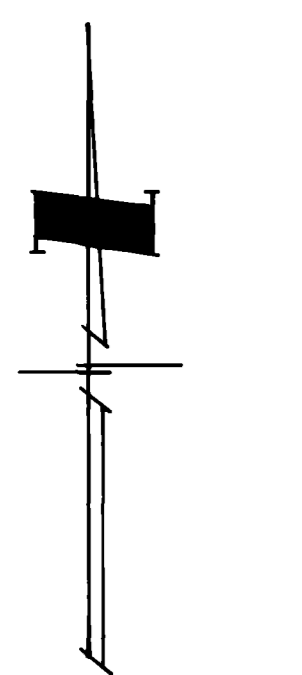
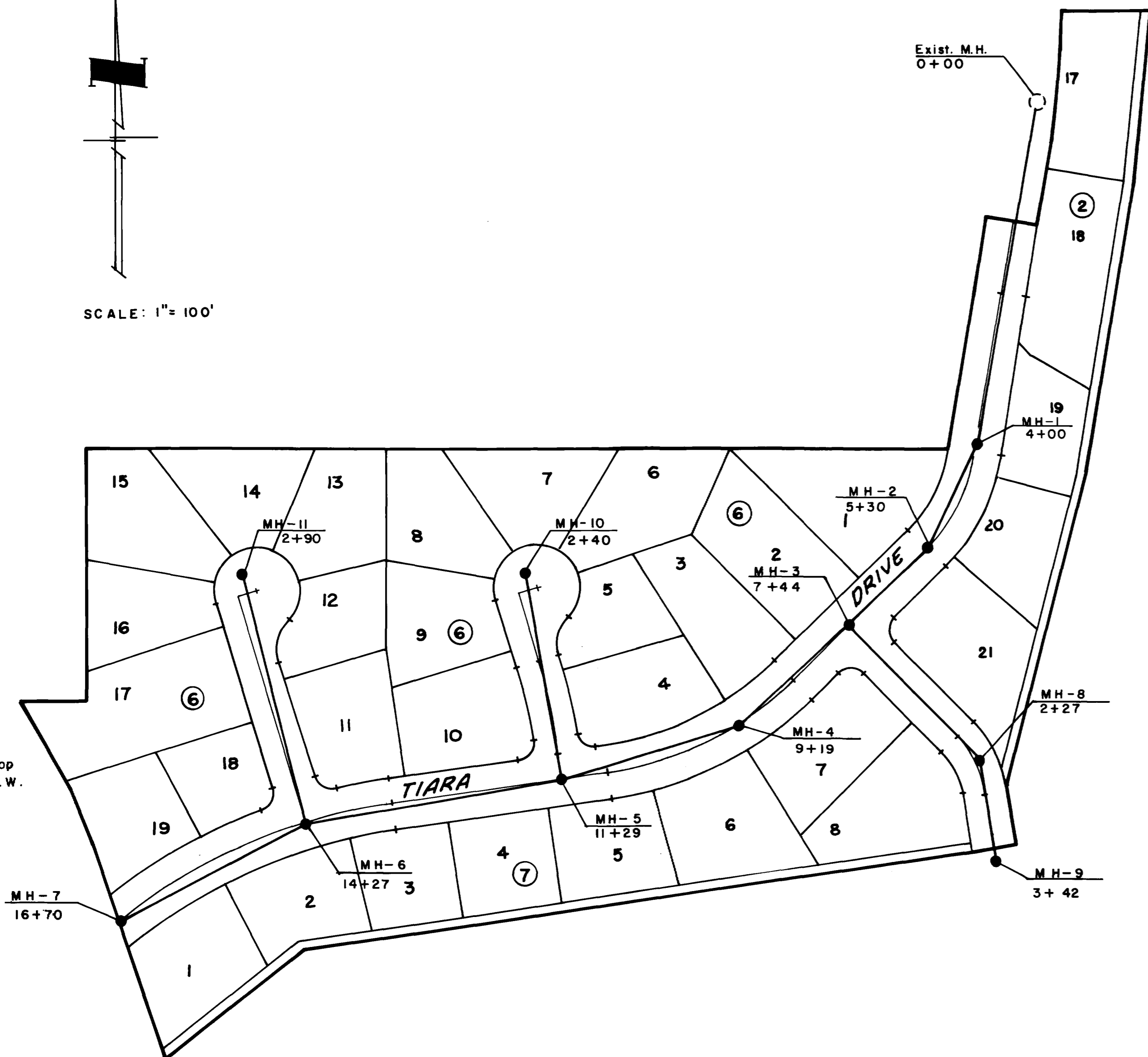


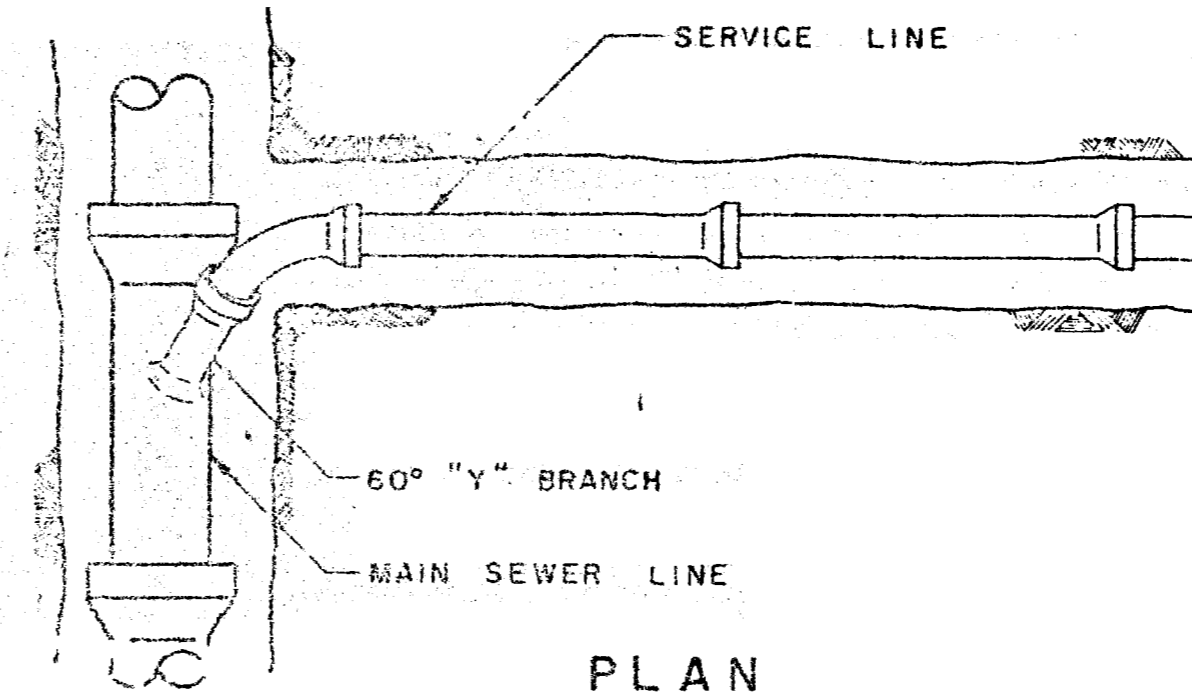
B. C. N. E. Corner
 S.W. 1/4 Sec. 22
 Elev. = 4717.69



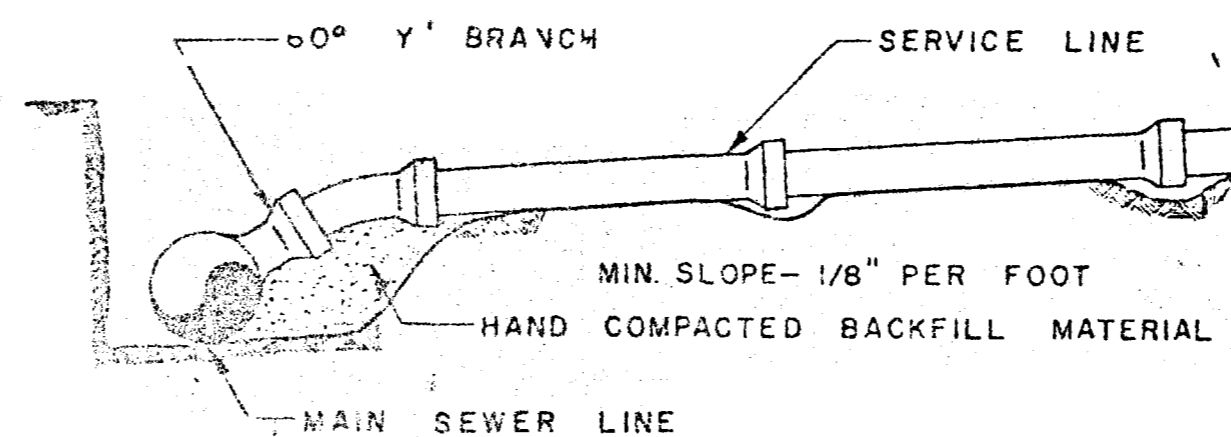
SCALE: 1" = 100'



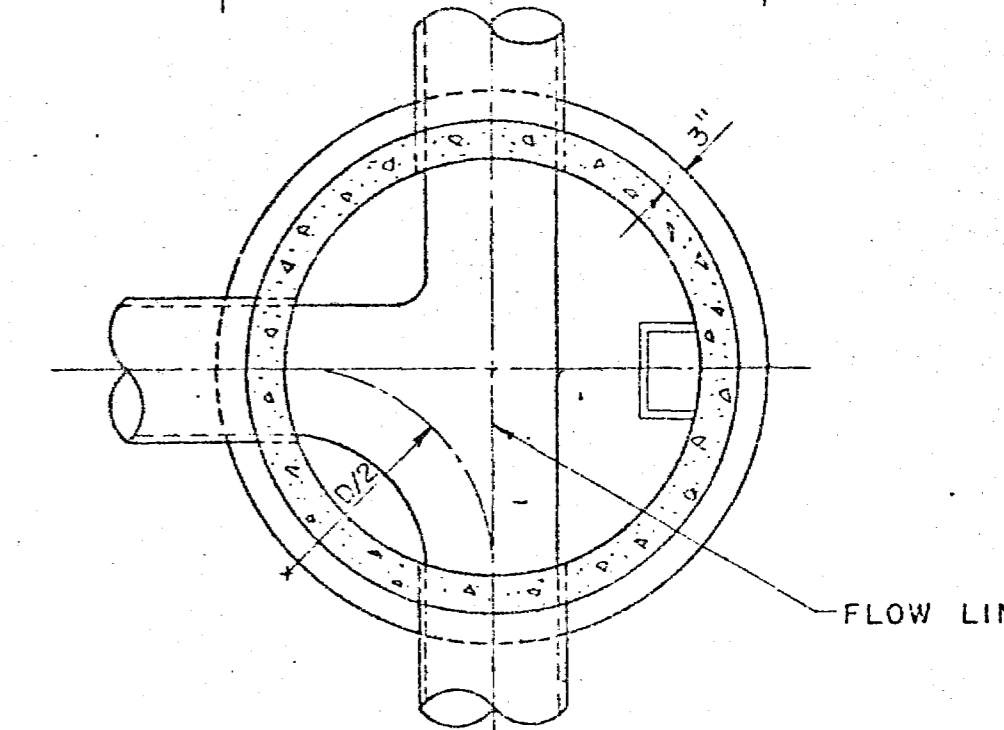
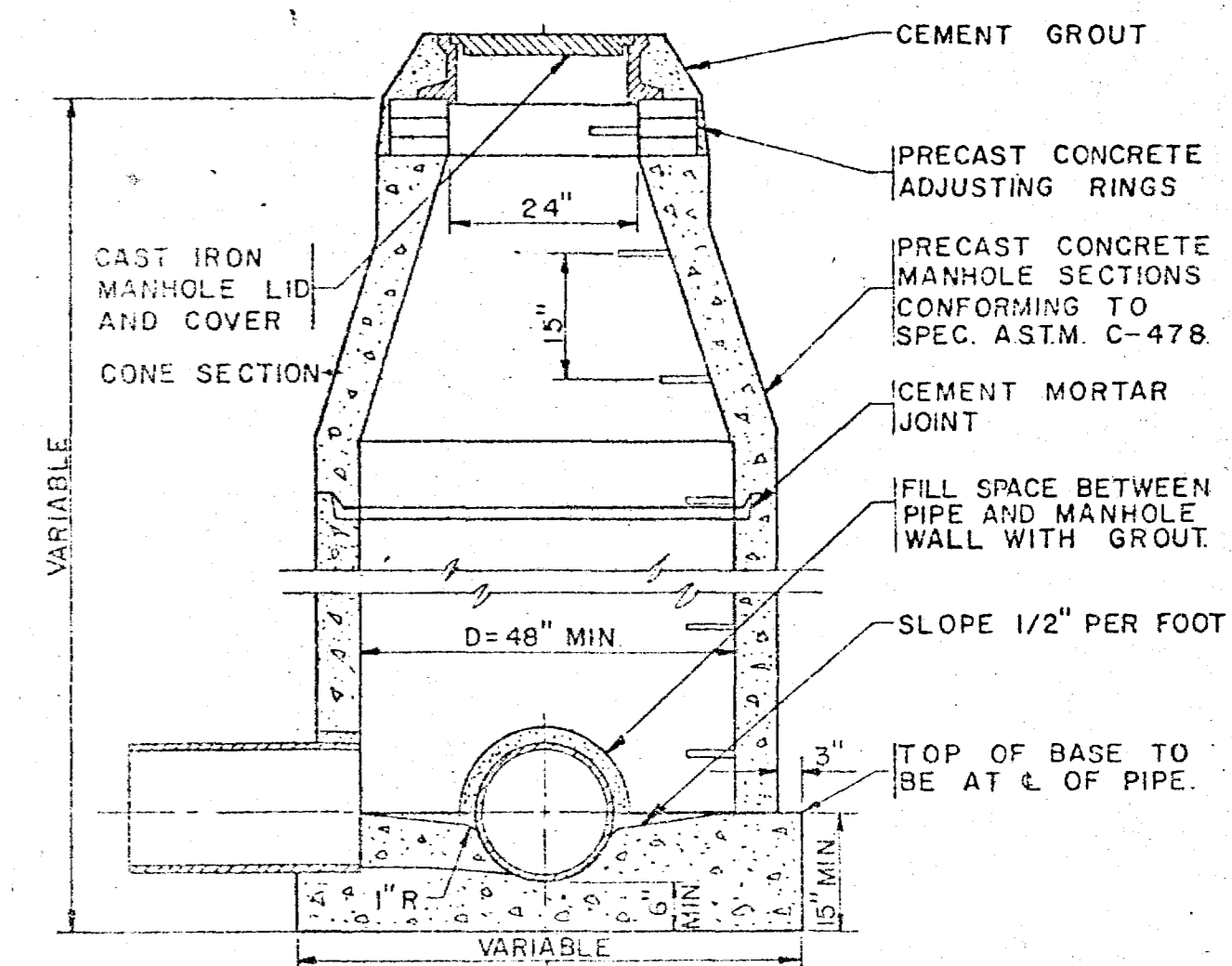
B.M. 4798.01
 □ in West Side of Top
 Conc. Ditch by S.W.
 Cor. Lot 19



PLAN



ELEVATION



NO.	BY	DATE	APPROVED	REVISIONS

DATE
Feb. 1975
 SCALE
 1" = 100'

DRAFTSMAN **EJS**
 PROJECT ENGR. **EJS**
 PROJECT MGR. **JTP**

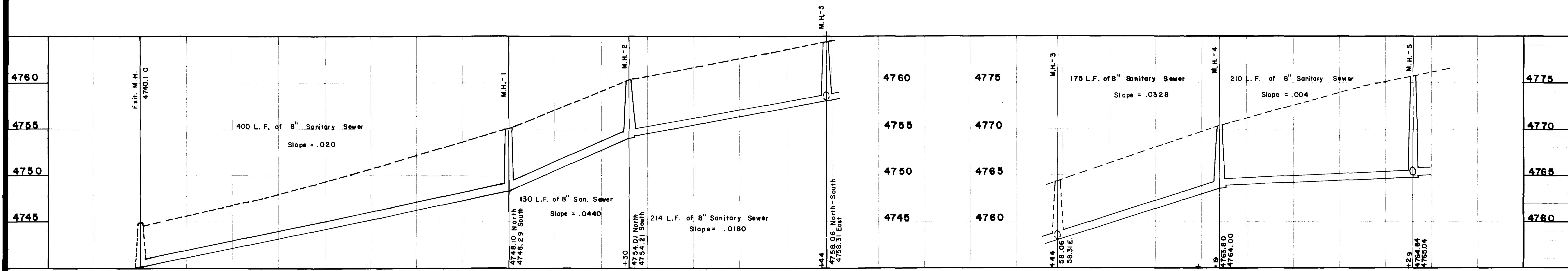
DEPT. HEAD
 CONST. REP. **NHPO**



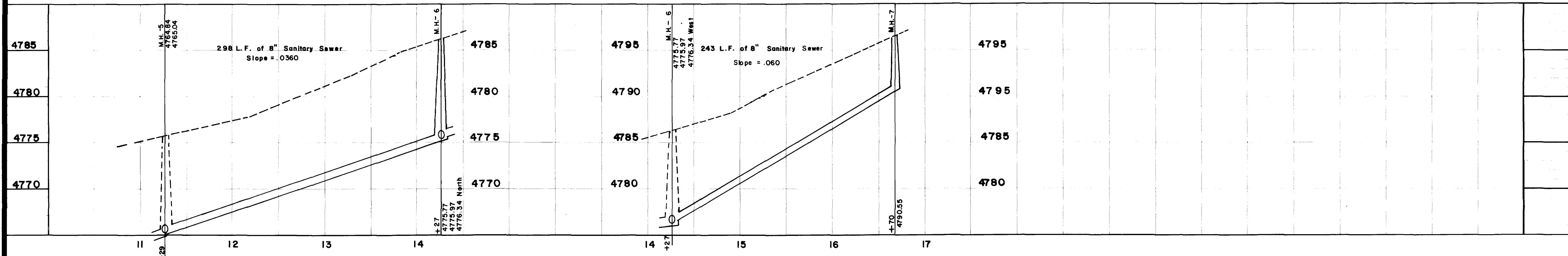
NELSON - HALEY - PATTERSON AND QUIRK
 ENGINEERING CONSULTANTS

TIARA RADO SUBDIVISION FILING NO. 2
SANITARY SEWER PLAN

2	1
SHEETS	SHEET



TIARA DRIVE SANITARY SEWER PROFILE



TIARA DRIVE SANITARY SEWER PROFILE

