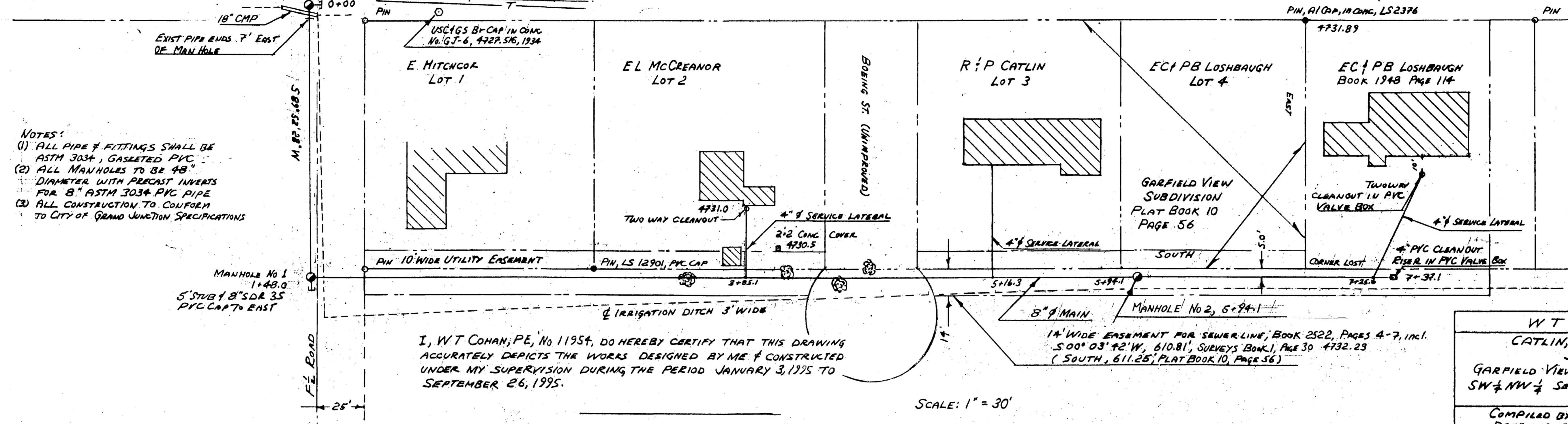
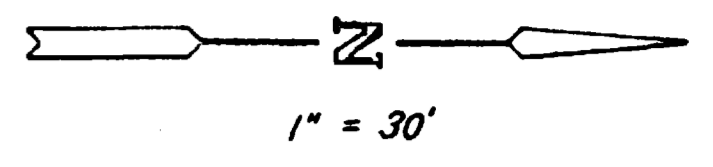


W 1/4 COR, SEC 6, T1S
R1E, UTE, PIN 1/4 CAP
LS 16835

28 ROAD



| REVISIONS | | |
|-----------|----------|--|
| No. | DATE | DESCRIPTION |
| 1 | 02-14-95 | INCREASE EASEMENT WIDTH TO 10' MOVE N-S LINE 25' EAST STATION FROM EXIST MANHOLE IN 28 ROAD REQUIRE CONE SECTION OF MANHOLE NO 2 REVISE CONE SECTION 1 GRADE RINGS AT MANHOLE NO 1 |
| 2 | 09-07-98 | AS BUILTS |
| 3 | 12-01-98 | EASEMENTS, BOEING STREET CUL DU SAC |

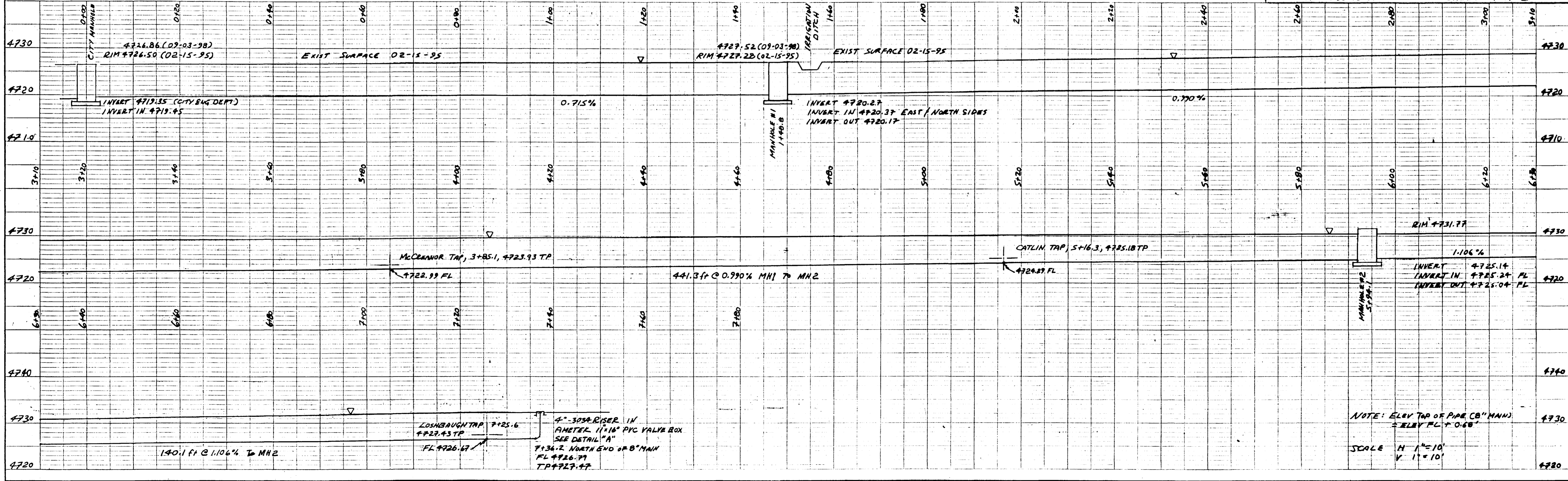
- NOTES:
- (1) ALL PIPE & FITTINGS SHALL BE ASTM 3034, GASETED PVC.
 - (2) ALL MANHOLES TO BE 48" DIAMETER WITH PRECAST INVERTS FOR 8" ASTM 3034 PVC PIPE.
 - (3) ALL CONSTRUCTION TO CONFORM TO CITY OF GRAND JUNCTION SPECIFICATIONS.

I, WT COHAN, PE, No 11954, DO HEREBY CERTIFY THAT THIS DRAWING ACCURATELY DEPICTS THE WORKS DESIGNED BY ME & CONSTRUCTED UNDER MY SUPERVISION DURING THE PERIOD JANUARY 3, 1995 TO SEPTEMBER 26, 1995.

14' WIDE EASEMENT FOR SEWER LINE, BOOK 2522, PAGES 4-7, incl. S 00° 03' 42" W, 610.81', SURVEYS BOOK 1, PAGE 30 4732.23 (SOUTH, 611.25', PLAT BOOK 10, PAGE 56)

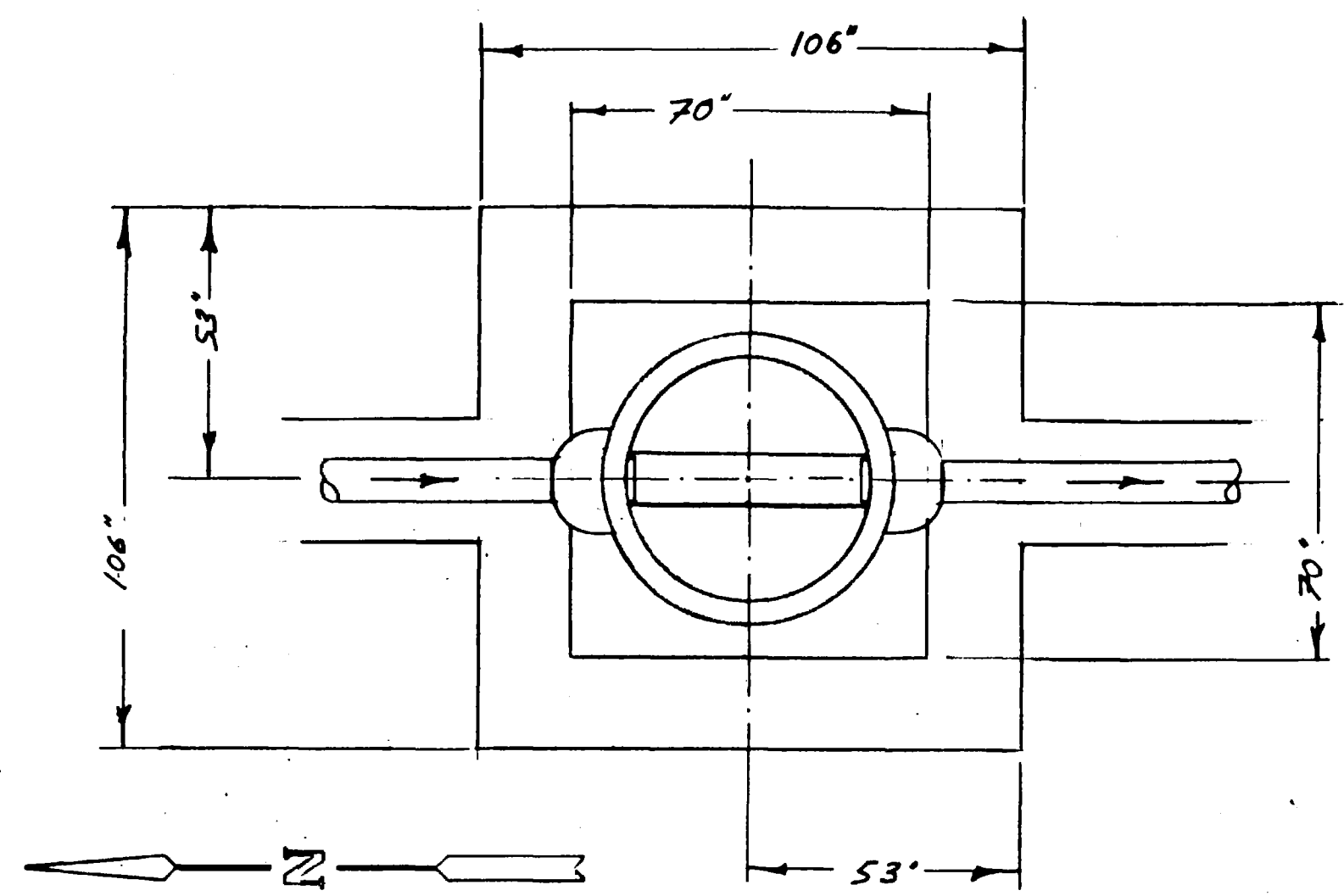
WT COHAN & ASSOCIATES, INC
CATLIN, LOSHBAUGH & MCCREANOR
SEWER LINE PROJECT
GARFIELD VIEW & GRAND VIEW SUBDIVISIONS
SW 1/4 NW 1/4 SECTION 6, T1S, R1E, UTE MERIDIAN
GRAND JUNCTION, CO
COMPILED BY: WT COHAN SCALE: 1" = 30' / 1" = 10'
DATE: 02-12-95 SHEET 1 OF 2

SCALE: 1" = 30'

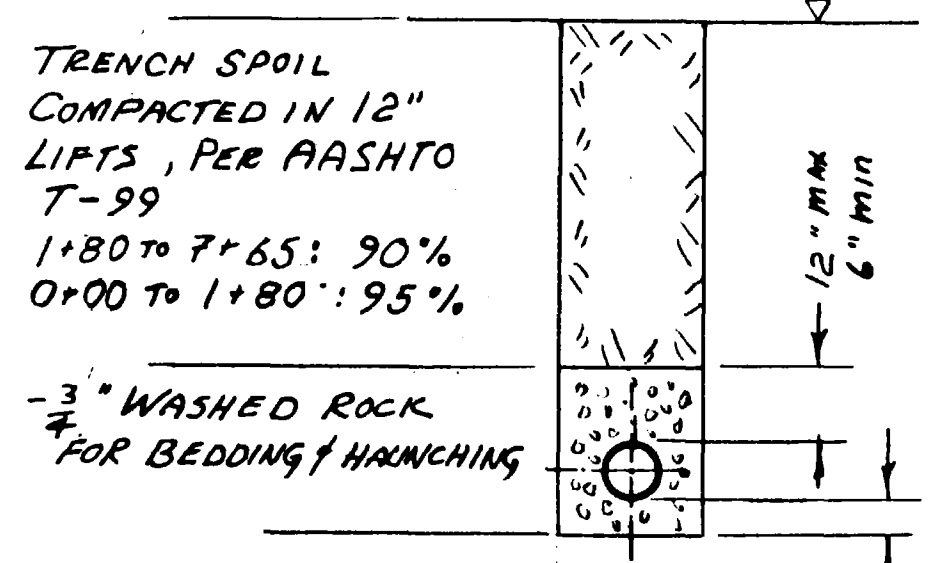


NOTE: ELEV TOP OF PAR. CB" MANHOLE = ELEV FL + 0.60"

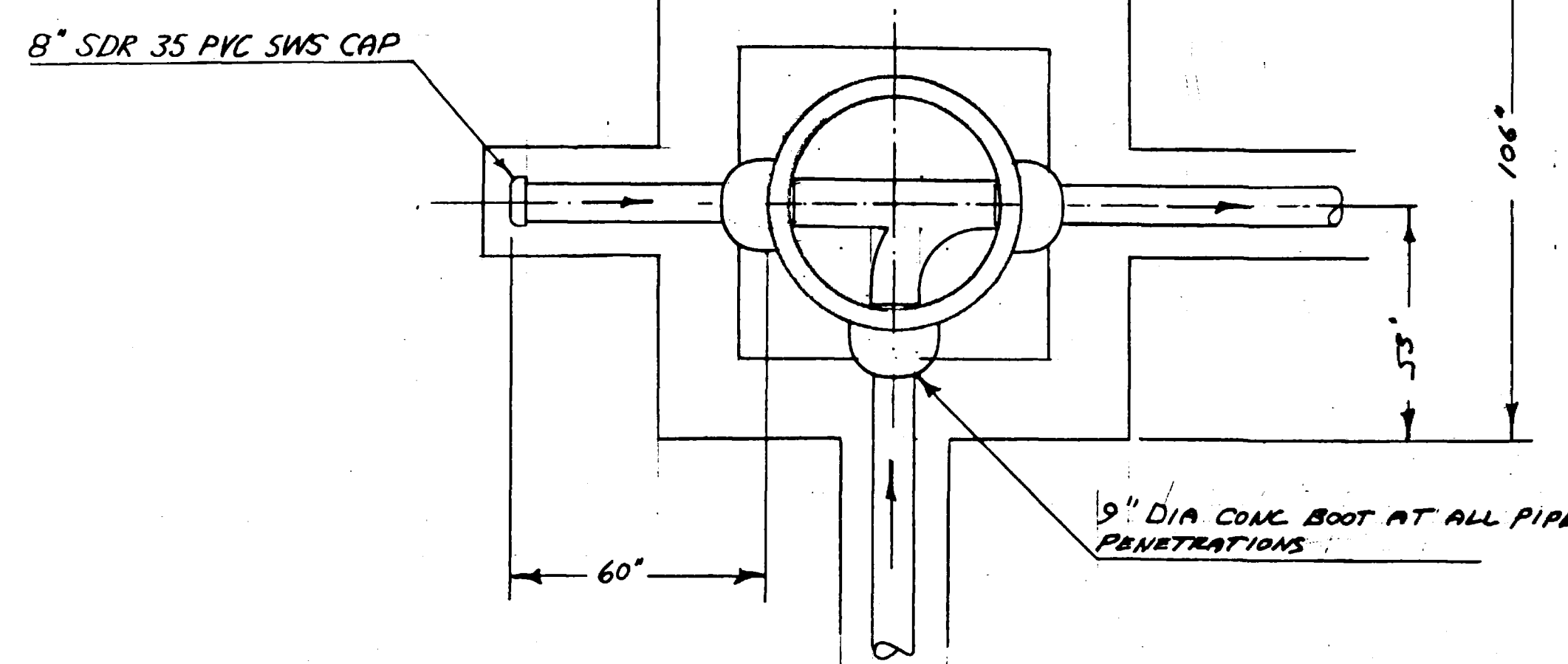
SCALE
H 1" = 10'
V 1" = 10'



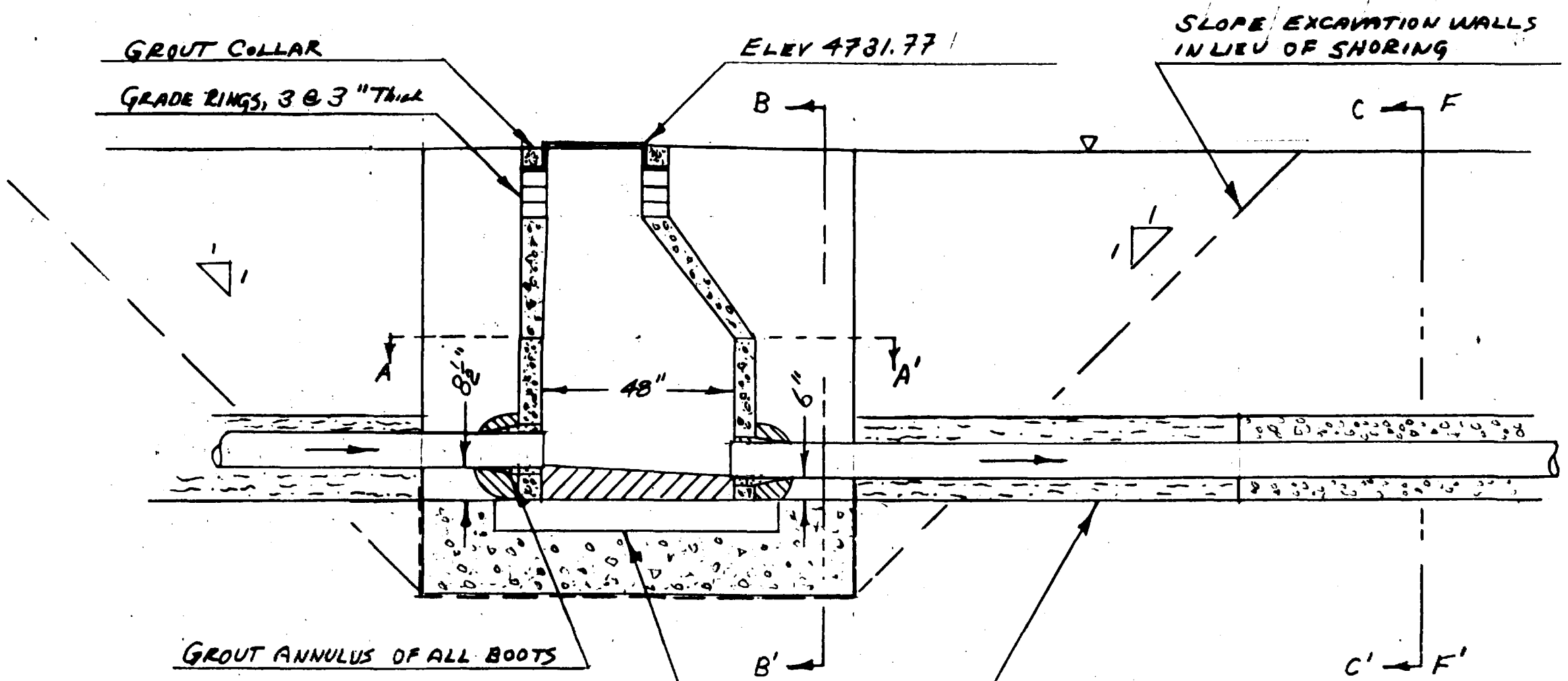
SECTION AA'



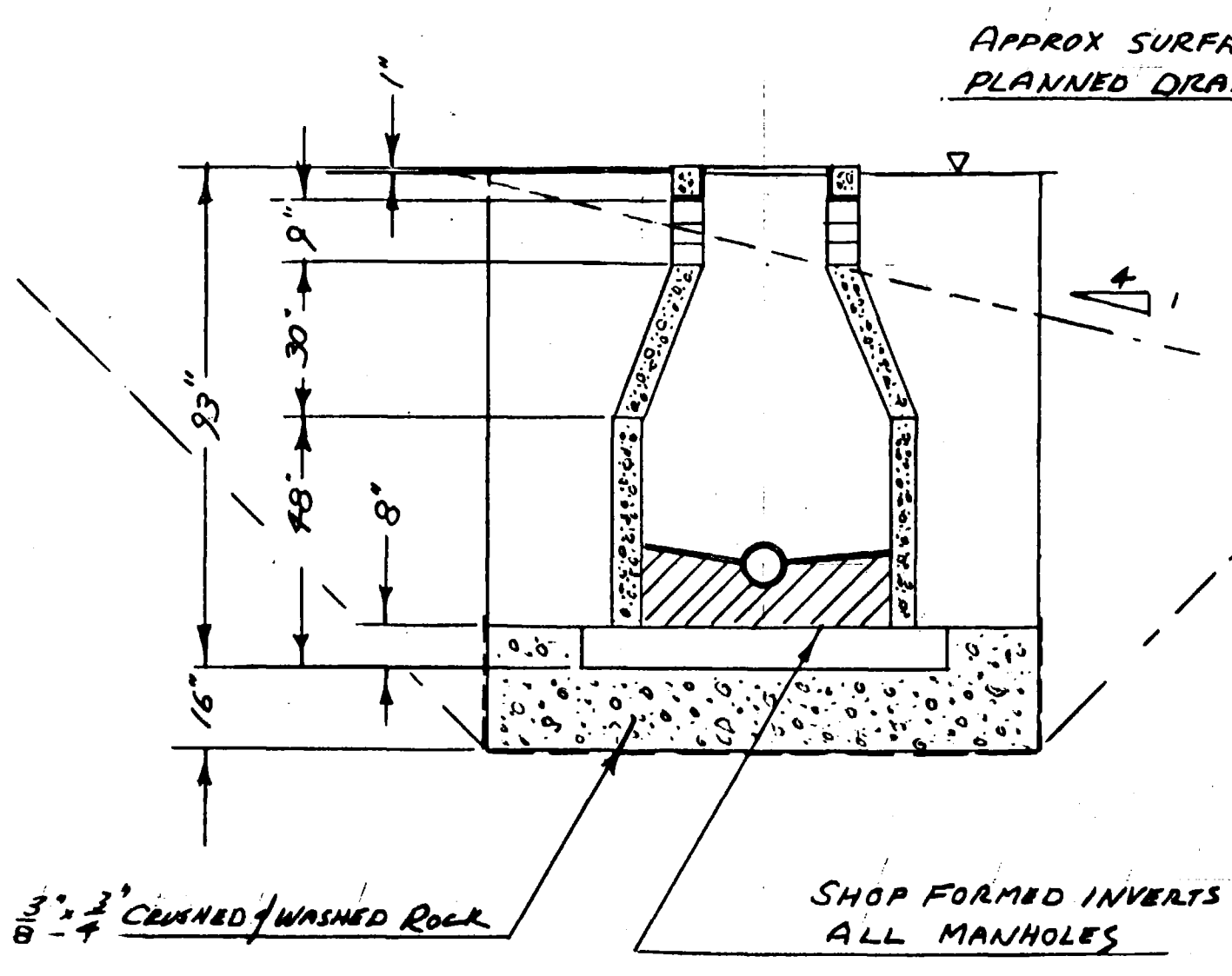
SECTION CC'
STANDARD TRENCH CROSS SECTION
IN STABLE GROUND



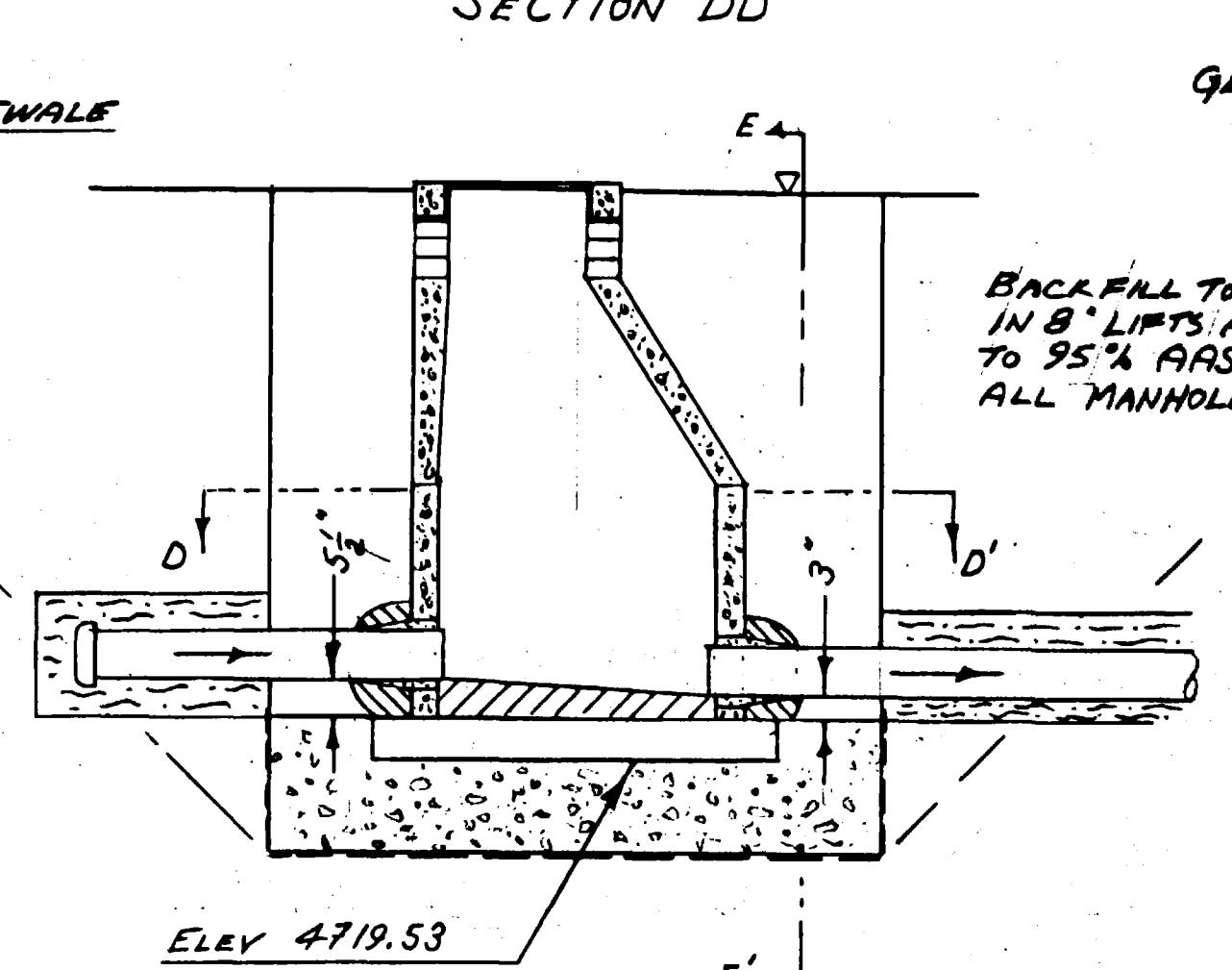
SECTION DD'



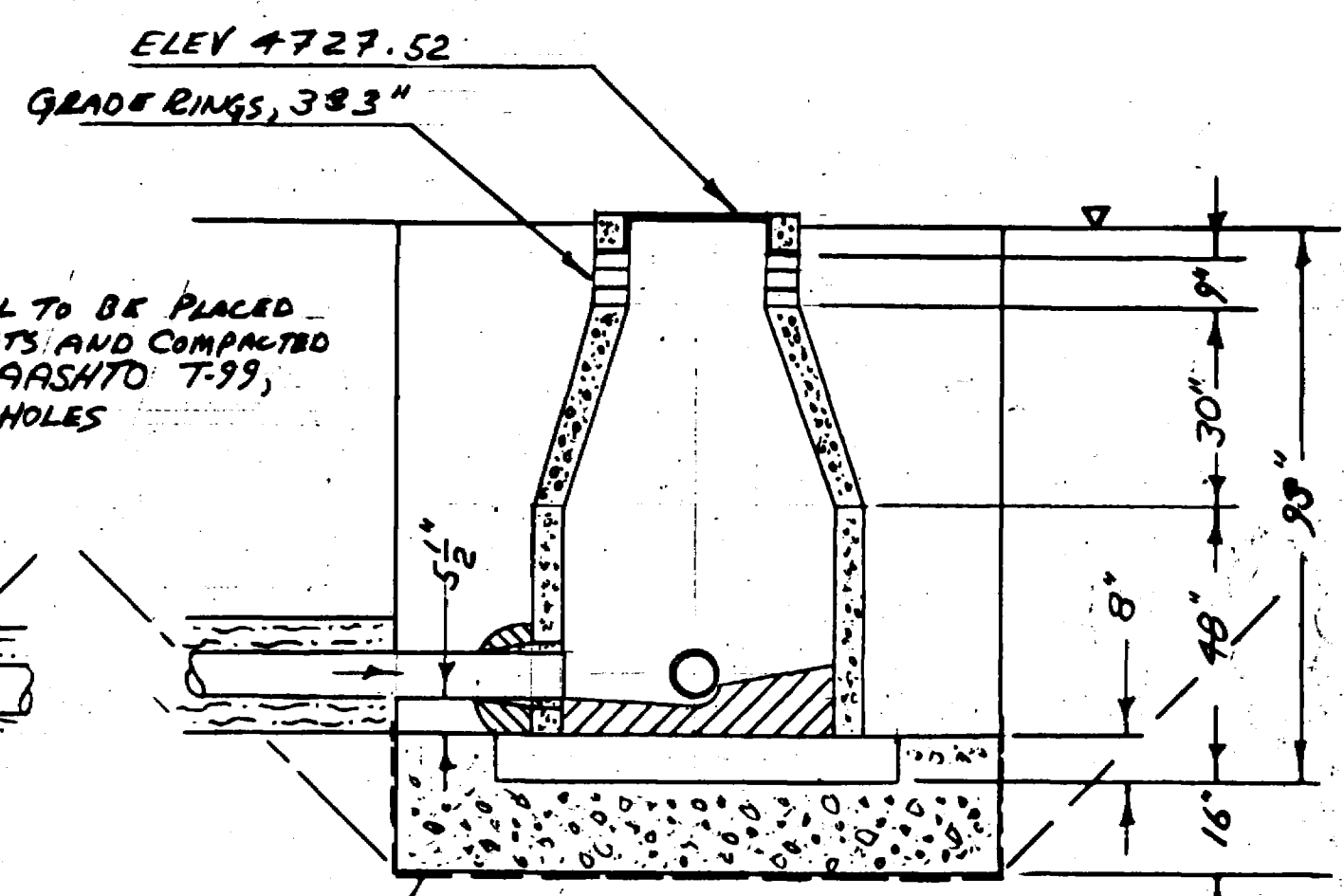
STATION 5+94.1
LOOKING EAST



SECTION BB'
LOOKING NORTH

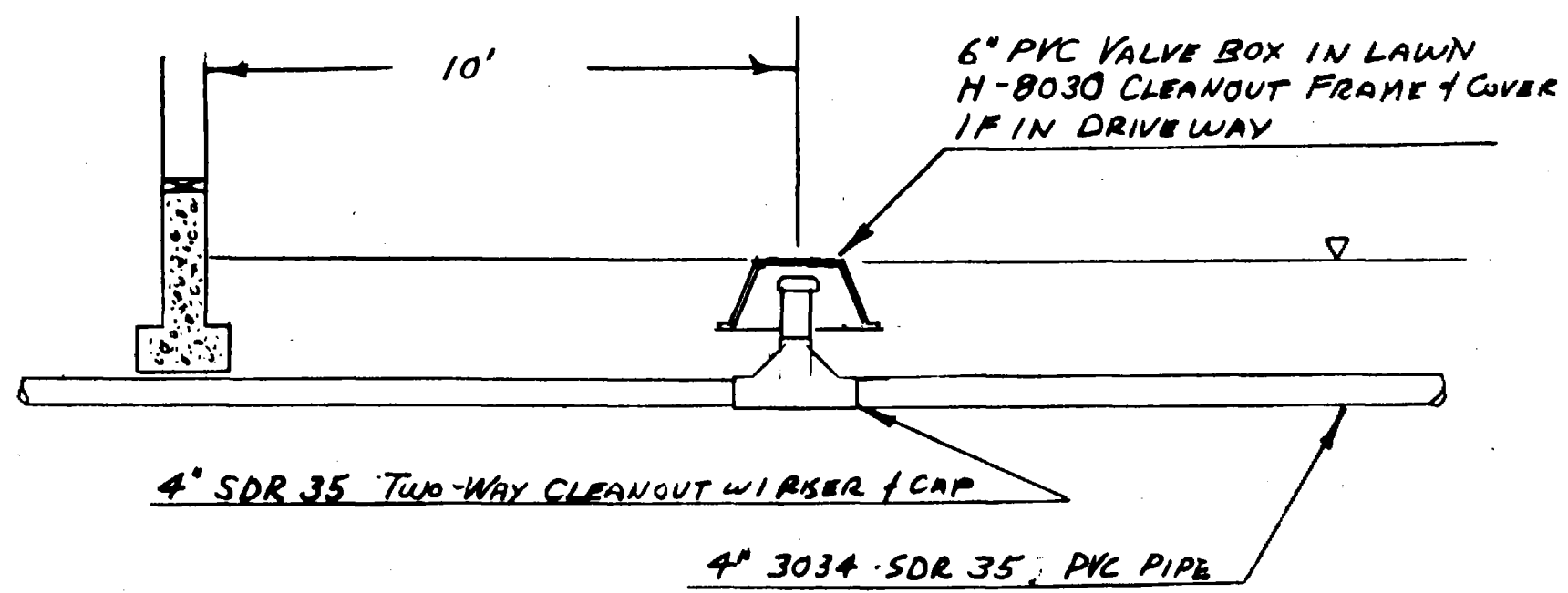


STATION 1+48.8
LOOKING SOUTH

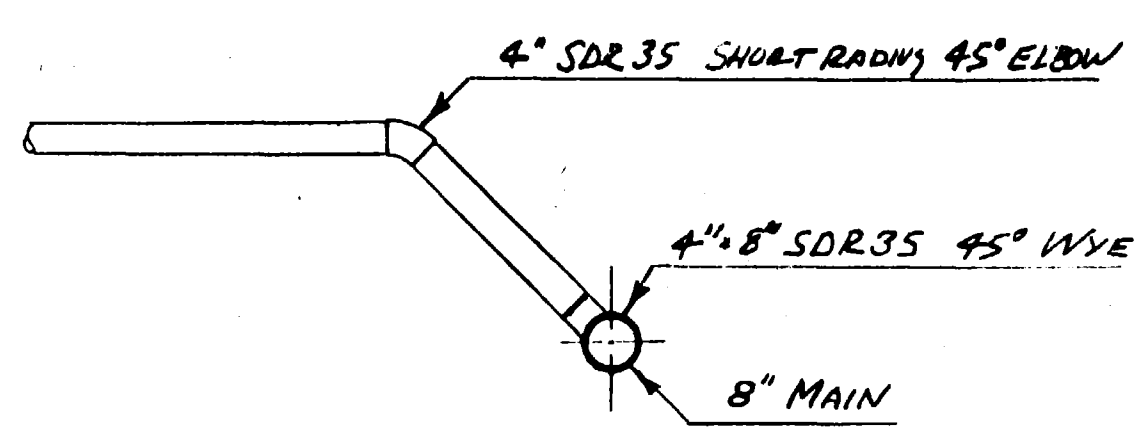


SECTION E-E'
LOOKING EAST

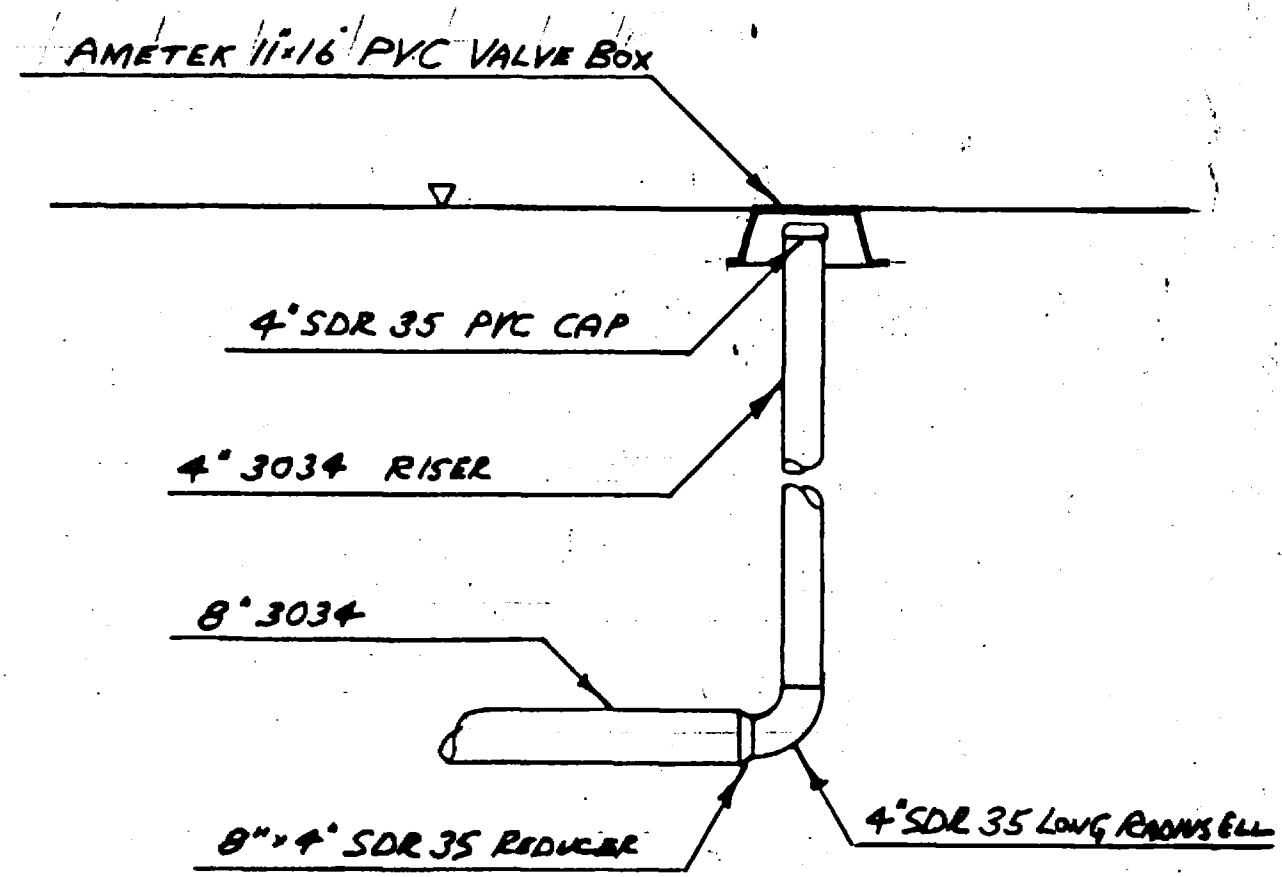
I, W T COHAN, PE, #11954, DO HEREBY CERTIFY THAT THIS DRAWING ACCURATELY DEPICTS THE WORKS DESIGNED BY ME & CONSTRUCTED UNDER MY SUPERVISION DURING THE PERIOD JANUARY 3, 1995 THROUGH SEPTEMBER 26, 1995



(LOSHBAUGH RES.) 4" SERVICE LATERAL & CONNECTION TO 8" MAIN
(SEE SECTION CC' "TYPICAL TRENCH CROSS SECTION")



SECTION FF'
STANDARD TRENCH CROSS SECTION
IN UNSTABLE GROUND
STATION 0+07 TO 2+30



DETAIL A'
CLEANOUT AT STATION 7+37.1

REV 2 AS BUILTS 09-11-98

| | |
|-------------------------------|-----------------------------|
| W T COHAN & ASSOCIATES, INC | |
| SEWER PROJECT | SCALE 3/8" = 12" |
| CATLIN, LOSHBAUGH & MCCREANON | |
| DATE 02-13-95 | DRAWING NUMBER SHEET 2 OF 2 |

REV'D TEP 1/10/90

02091802.00