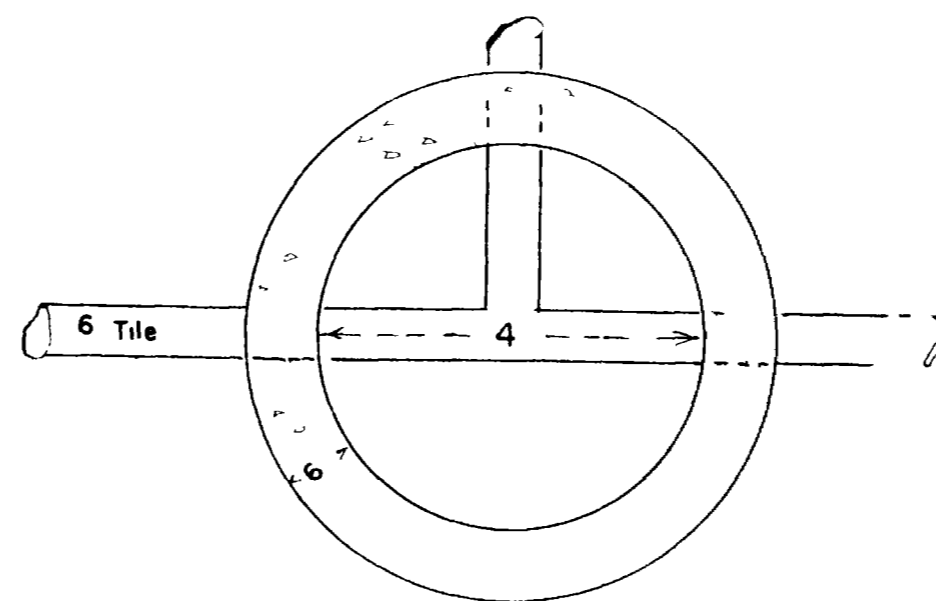
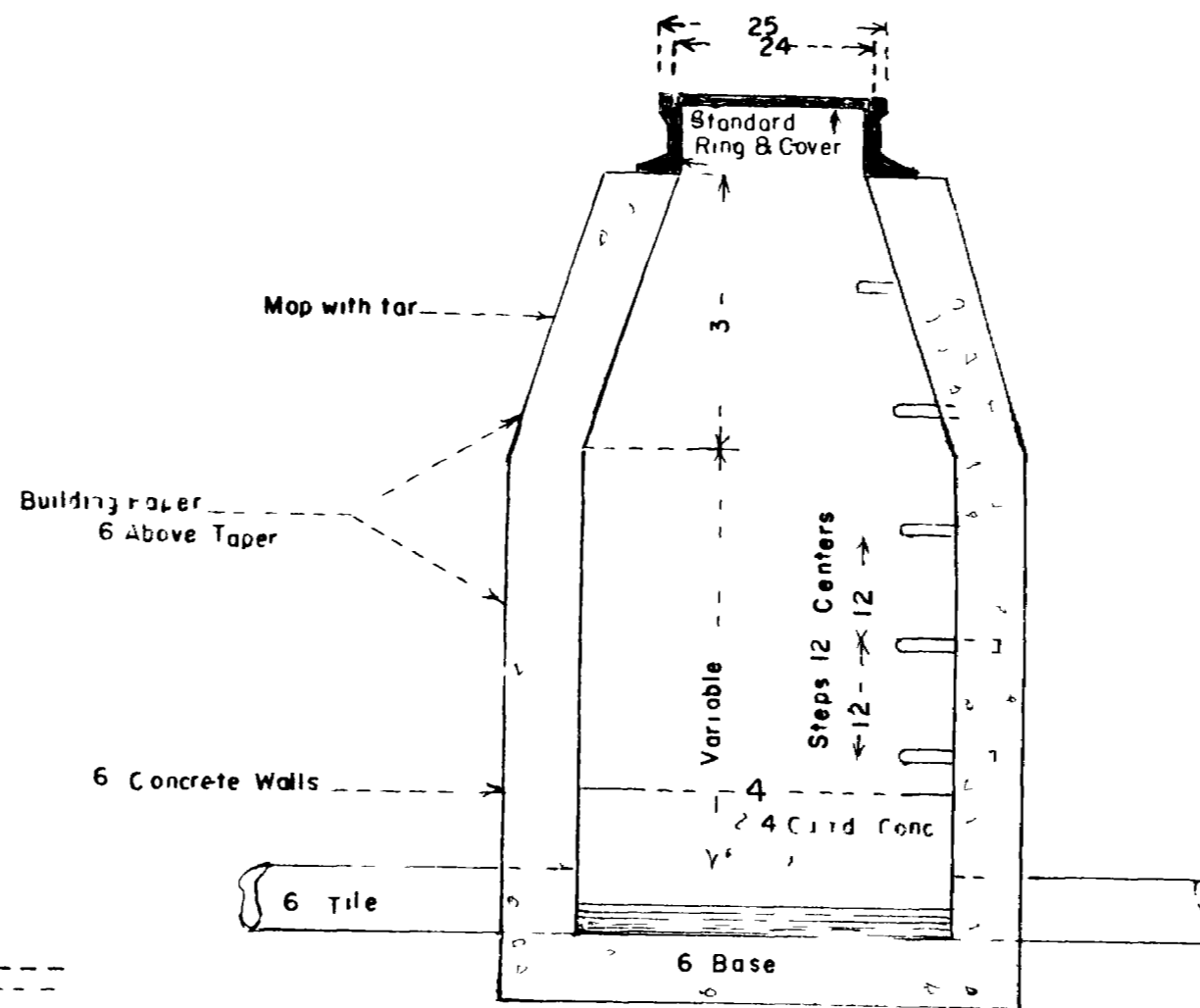
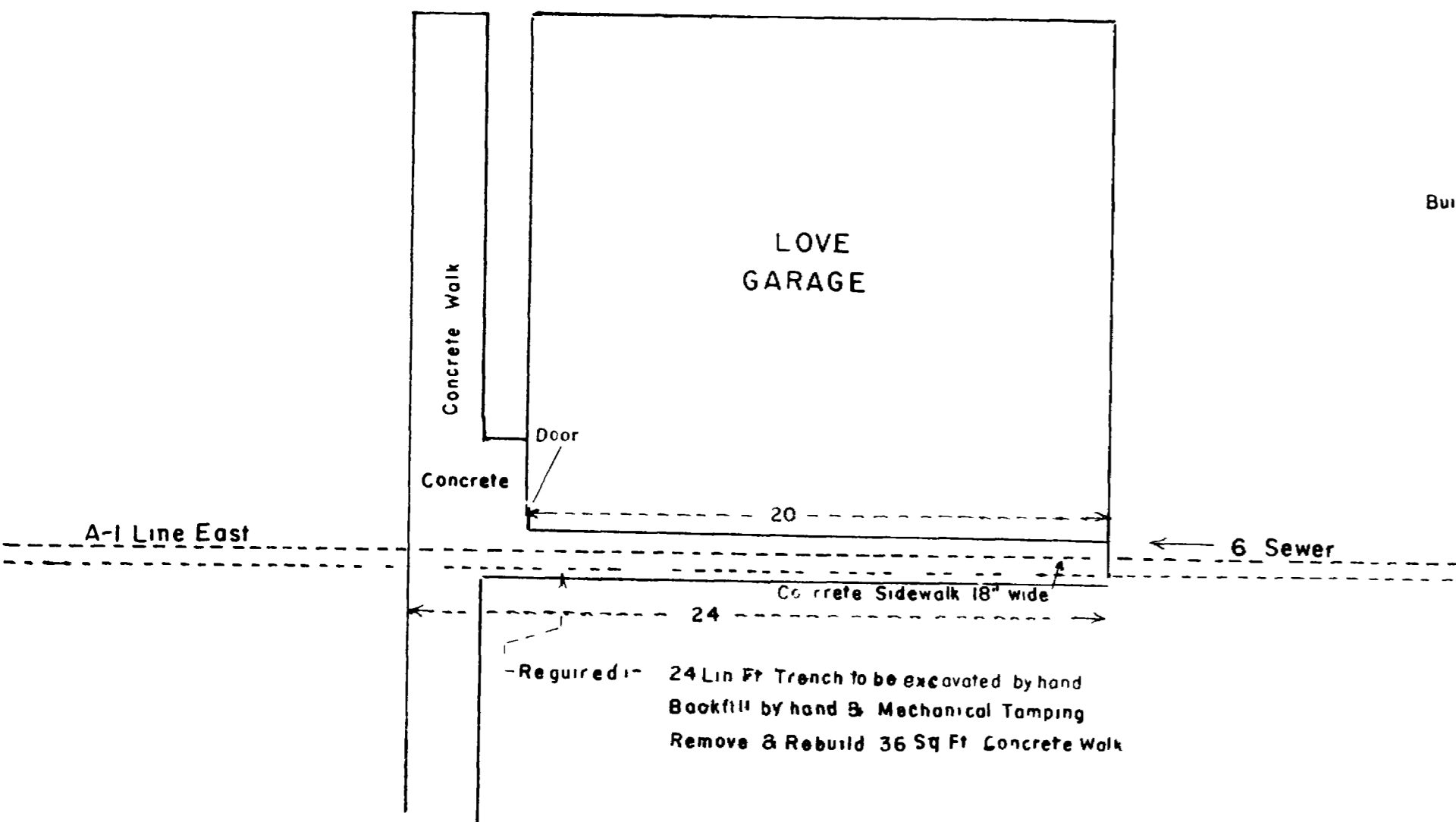


STANDARD MANHOLE



SPECIAL TRENCH
(Hand Work)



SUMMATION OF QUANTITIES

Location	Number Vyes	Number Manholes	Lin Ft 6 Tile	Lin Ft Trench	Extras
Line A	9	3	791	218	
Line A-1 East	3	1	199	184	24 Lin Ft Special Trench To be ex and backfill by hand Mech Tamping reqd Remove and Rebuild 36 Sq Ft Concrete Walk
Line "A-1" West	12	3	699	783	
Line "A-2"	12	1	574	628	
Line A-3	14	1	586	628	
Line "B"	3	1	311	320	
Line B-1	12	2	464	400	
Line C	3	1	791	400	
TOTAL	80	13	5915	4151	

SANITARY SEWER DISTRICT NO 16

LOCATION & DESCRIPTION OF 6' LINES

Alley between Walnut Avenue & Cedar Avenue from 13th Street to 15th Street

Alley between Pinyon Avenue & Walnut Avenue from 13th Street to 15th Street

Alley between Orchard Avenue & Pinyon Avenue from 13th Street to 15th Street

15th Street from alley back of Orchard Avenue North to Cedar Avenue

Alley back of Orchard Avenue from 15th Street East 120' to existing Sewer

From a point in the alley back of Orchard Avenue and 340' East of the center line of 15th Street, thence East 215'

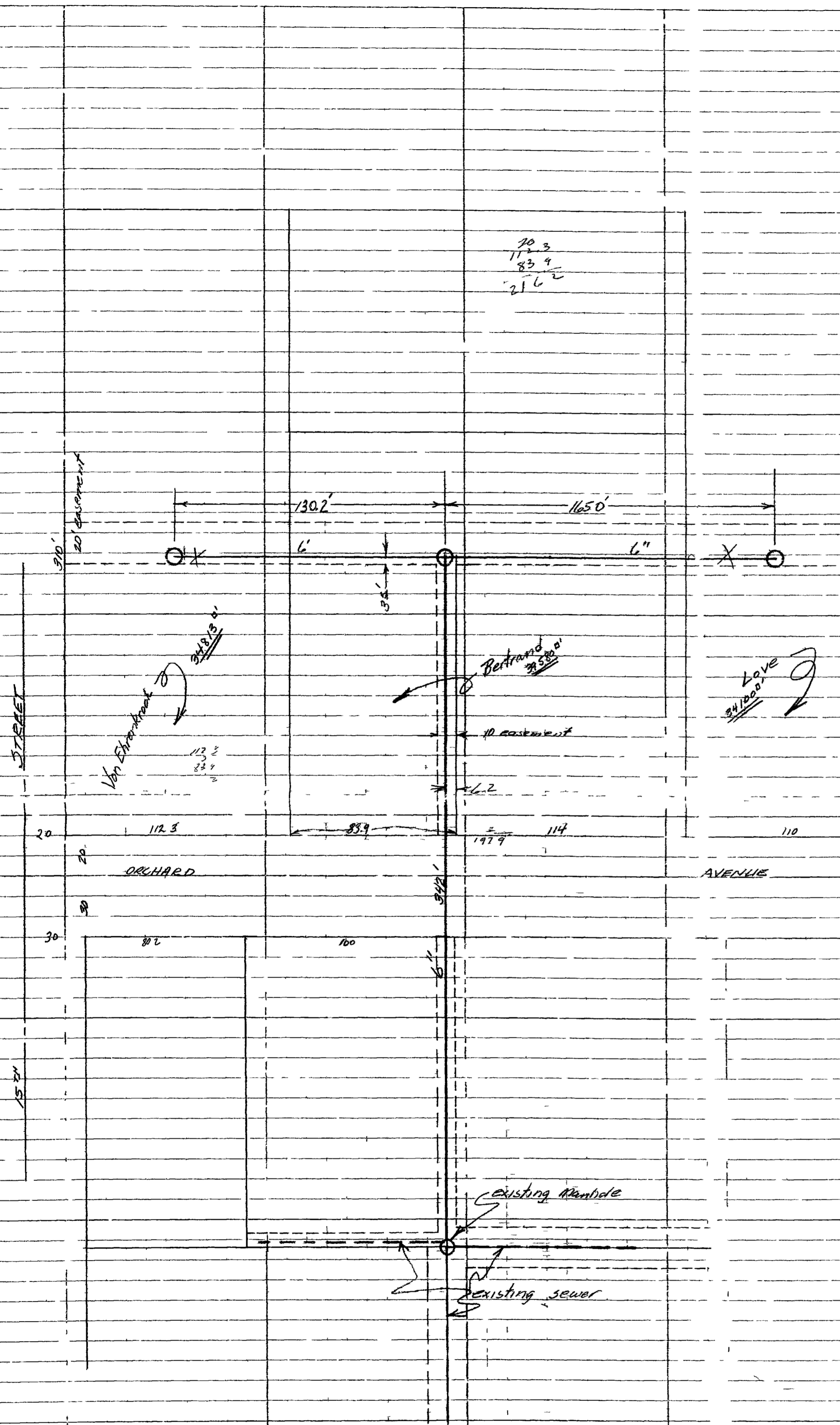
From a point in the alley back of Orchard Avenue and 132' East of the center line of 15th Street, thence North 320,

thence N 77° 56' E 200', thence East 200'

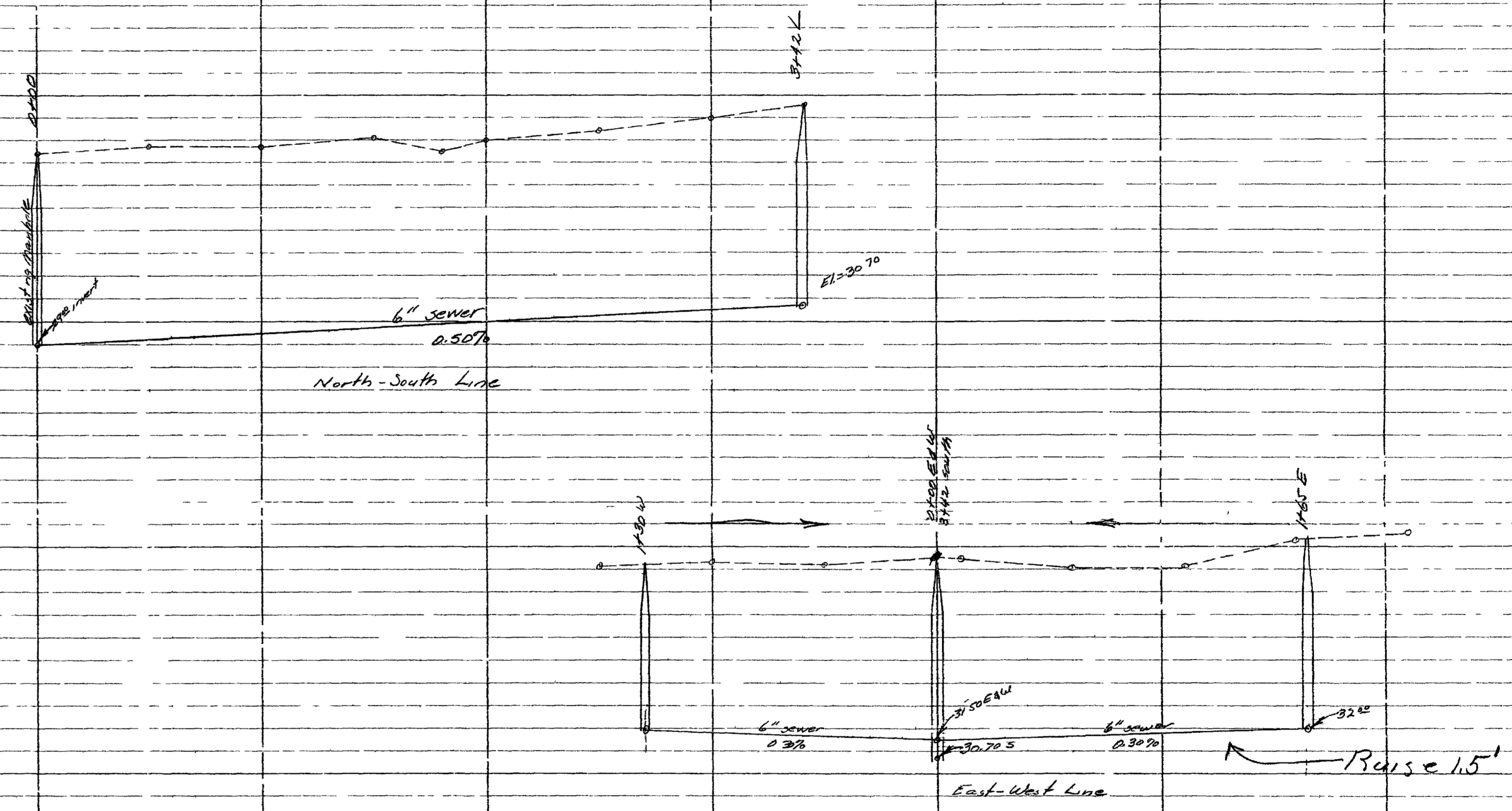
Starting at the end of the existing sewer on 17th Street and 285' north of the monument line on Orchard Avenue, thence

North 400' to Walnut Avenue

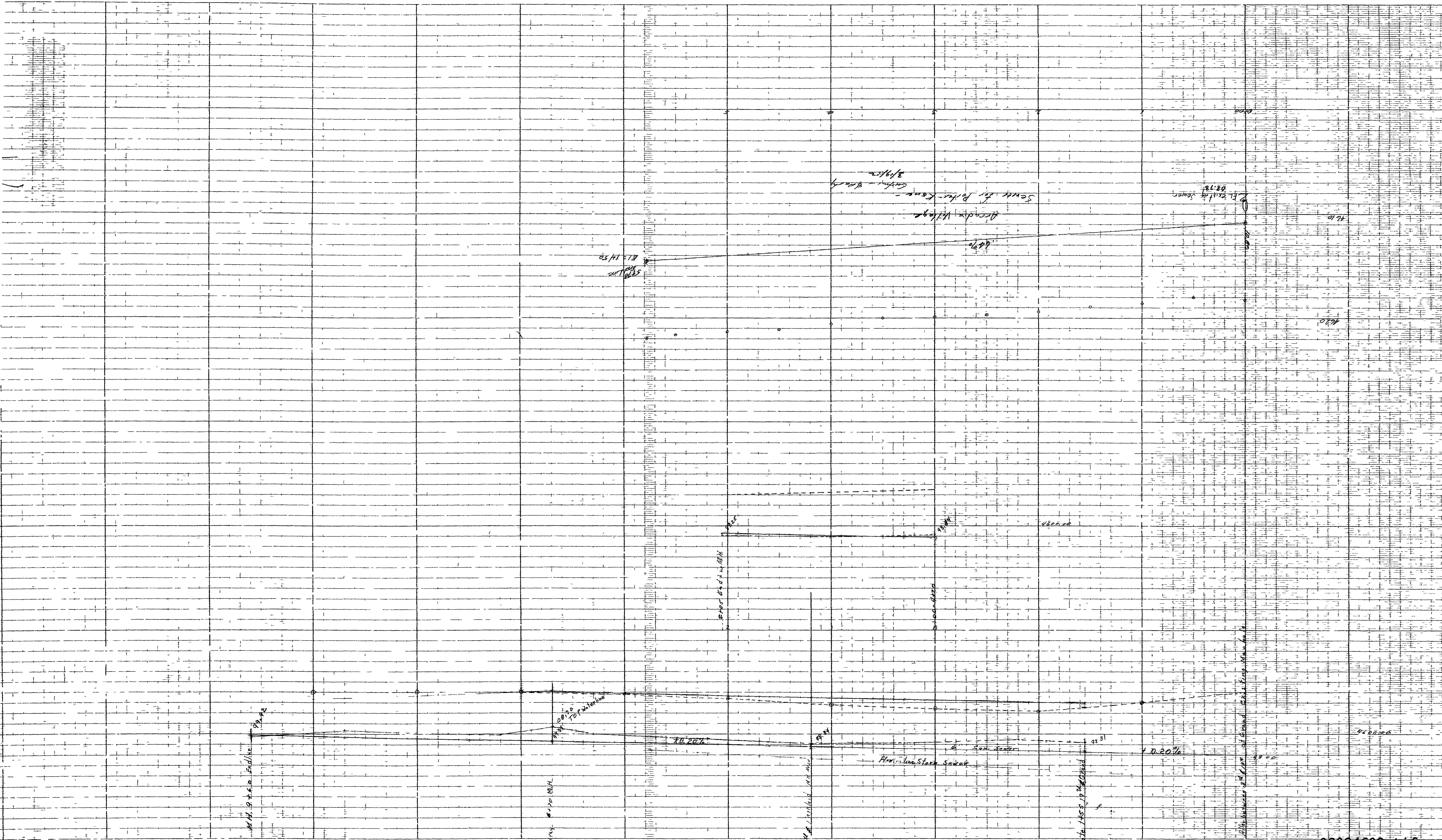
02094601.tif



$$\begin{array}{r} 70.3 \\ 113.3 \\ 83.9 \\ \hline 267.5 \end{array}$$



Sewer north of orchard & East of 15th street
 9/21/51



2000' distance of sewer to flowline manhole