

INDEX

- SHEET NO 1 — PLAN & PROFILE
- SHEET NO 2 — DETAIL SHEET

# SANITARY SEWER DISTRICT 24-69

## 1969

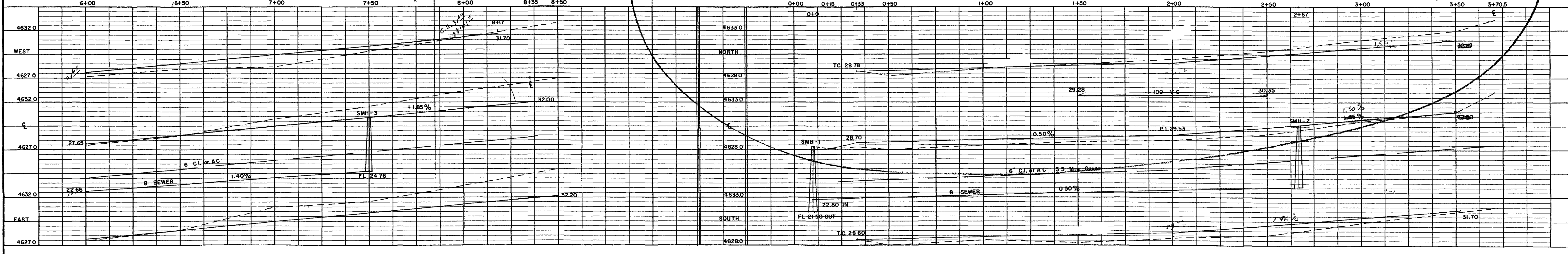
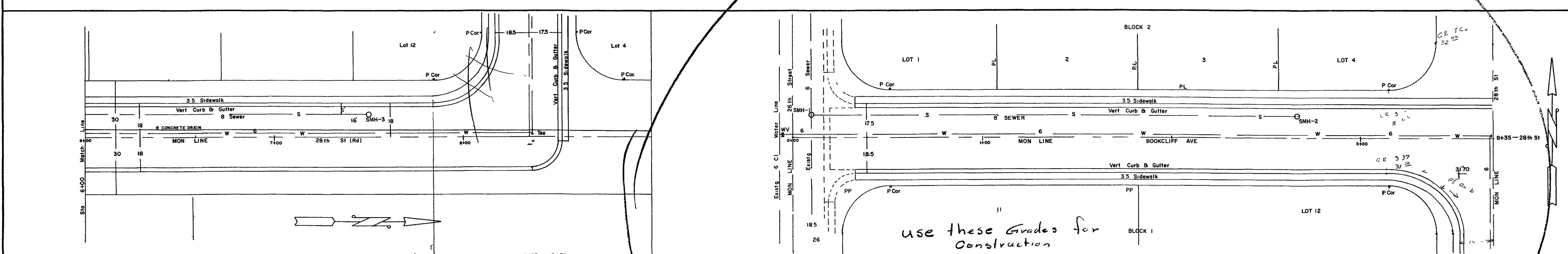
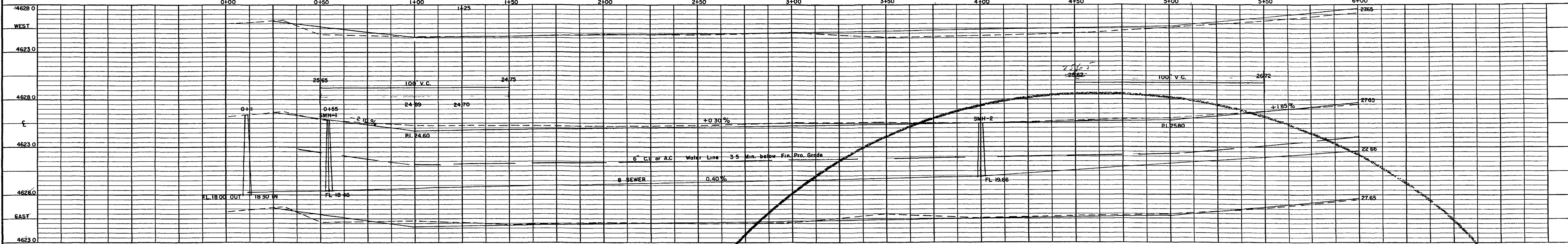
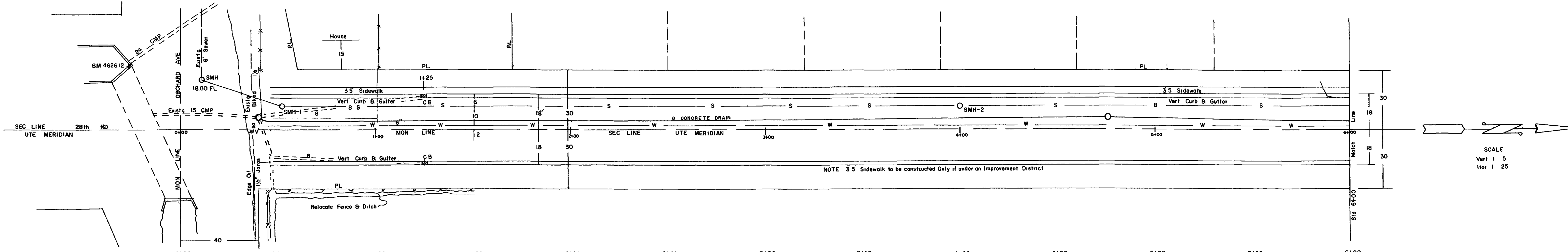
ENGINEERING DEPARTMENT  
CITY OF GRAND JUNCTION

SANITARY SEWER DISTRICT 24-69  
1969

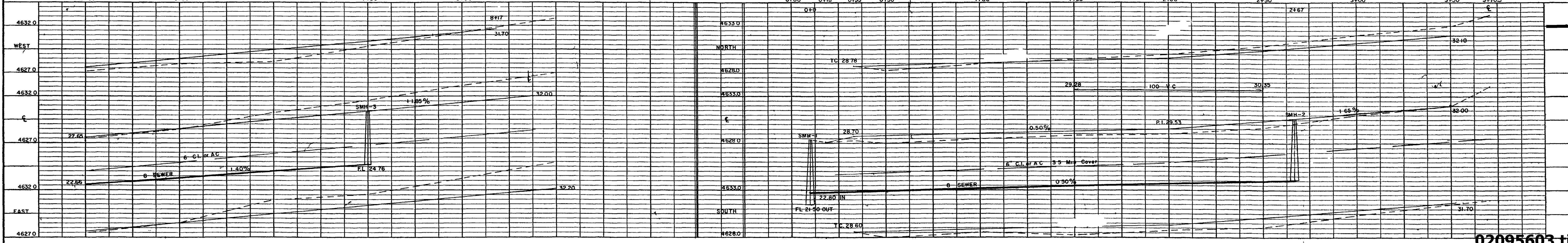
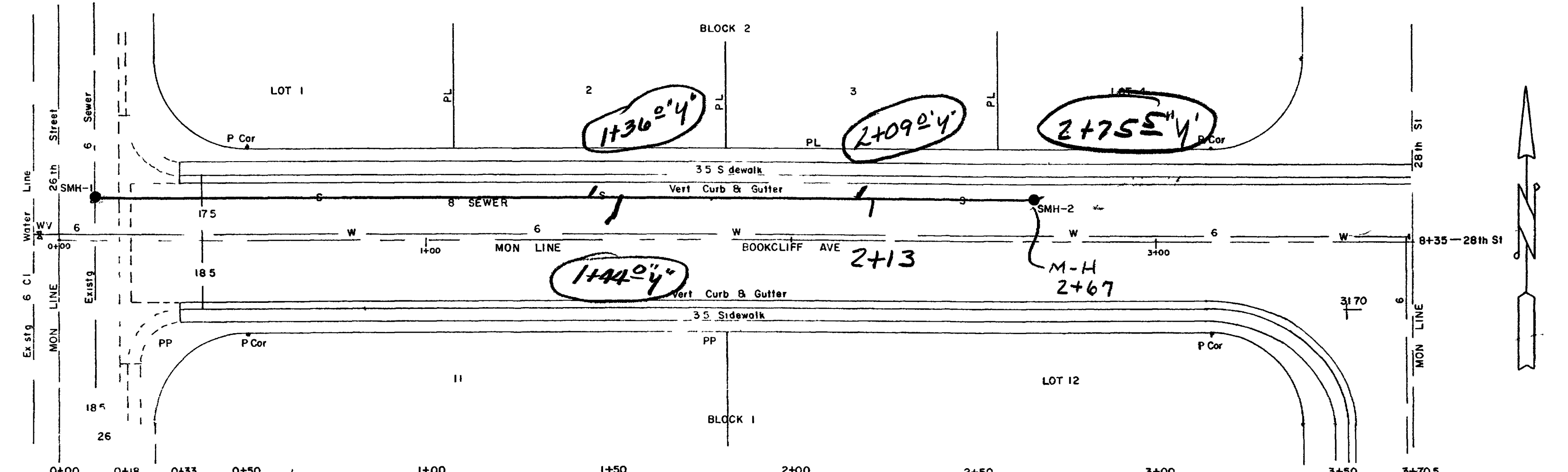
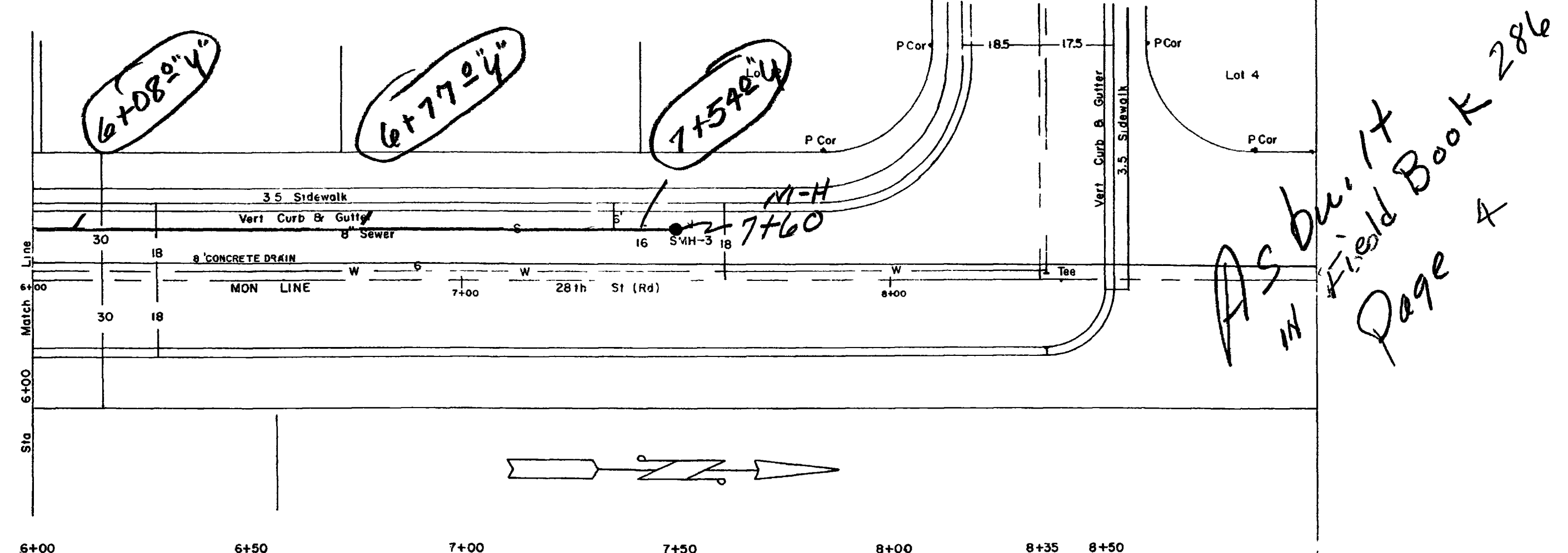
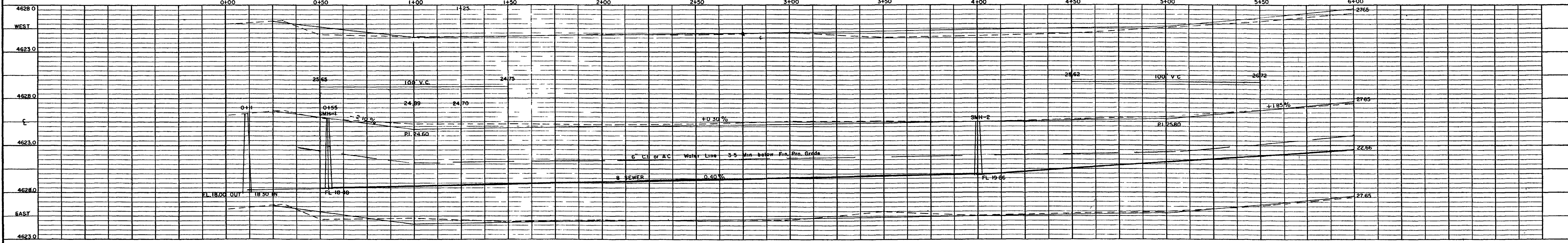
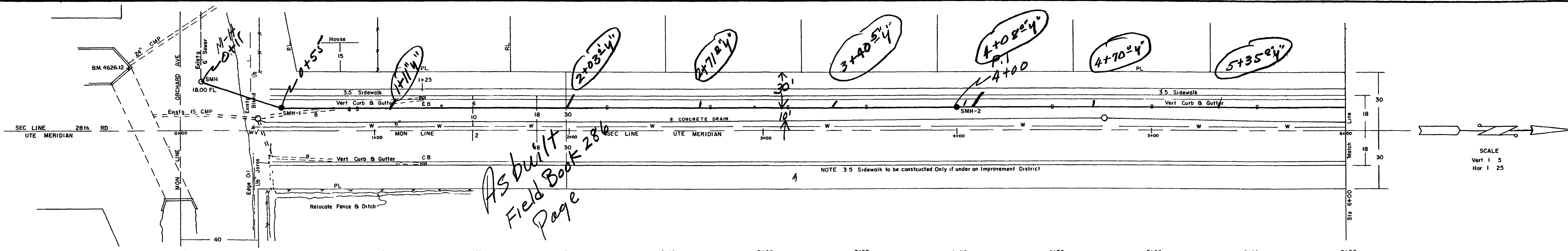
DRWN BY - J.D.  
CPO BY -  
DATE - 1969  
SCALE AS SHOWN

*H. L. Blouman*  
DIRECTOR OF UTILITIES

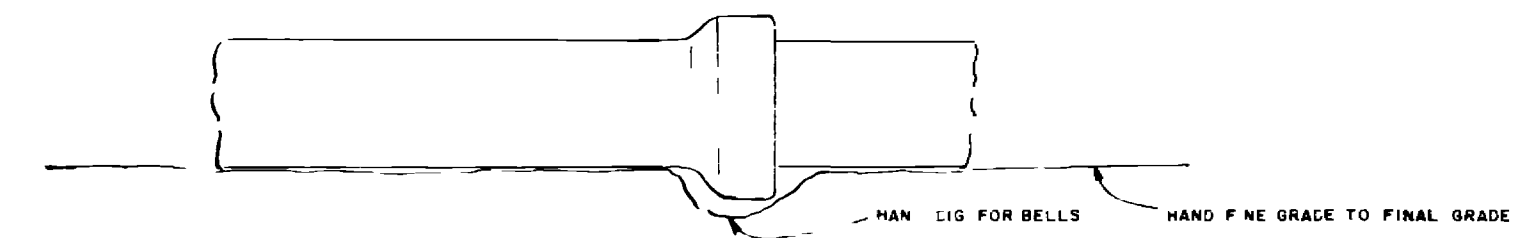
*[Signature]*  
CITY ENGINEER



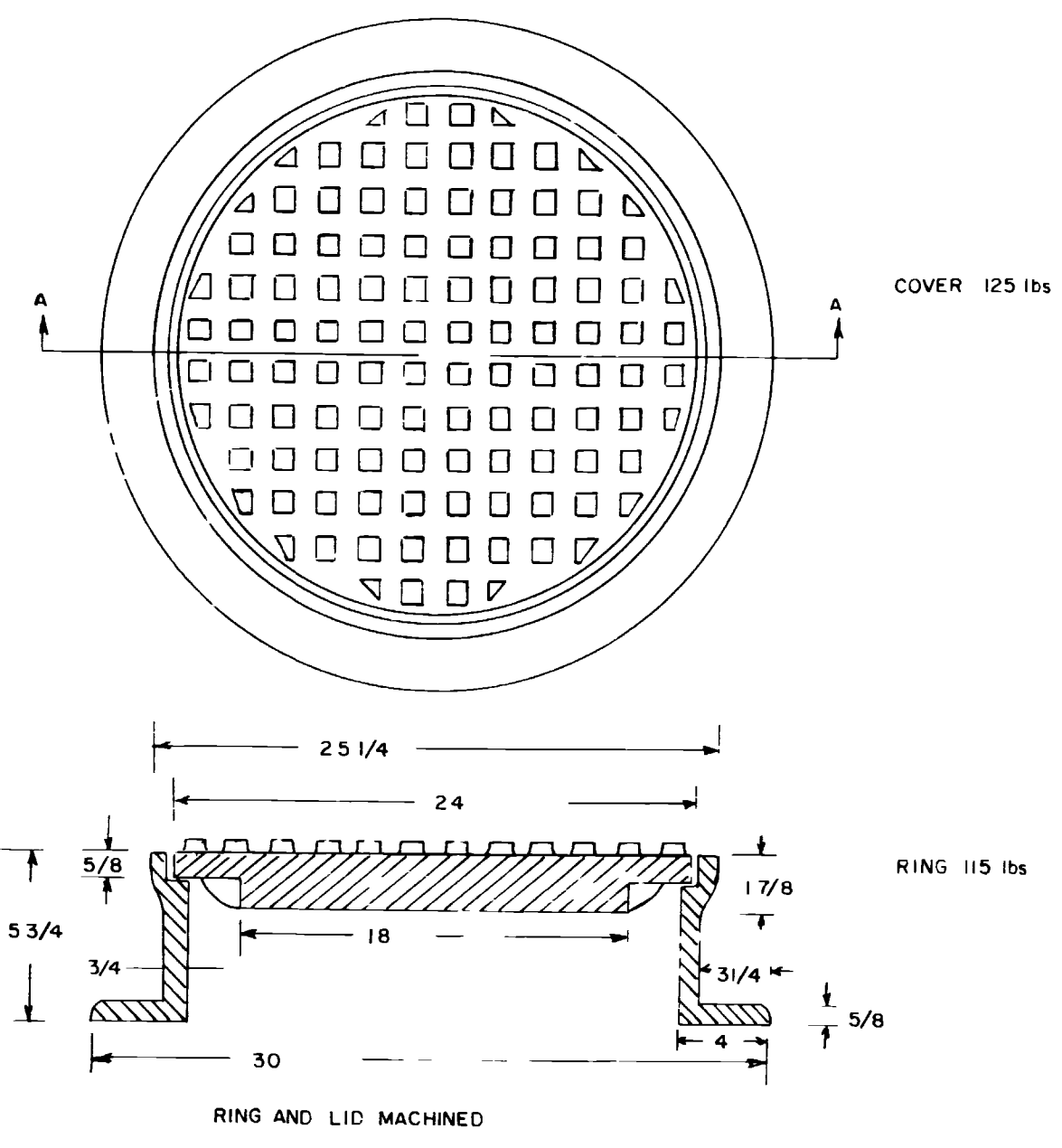
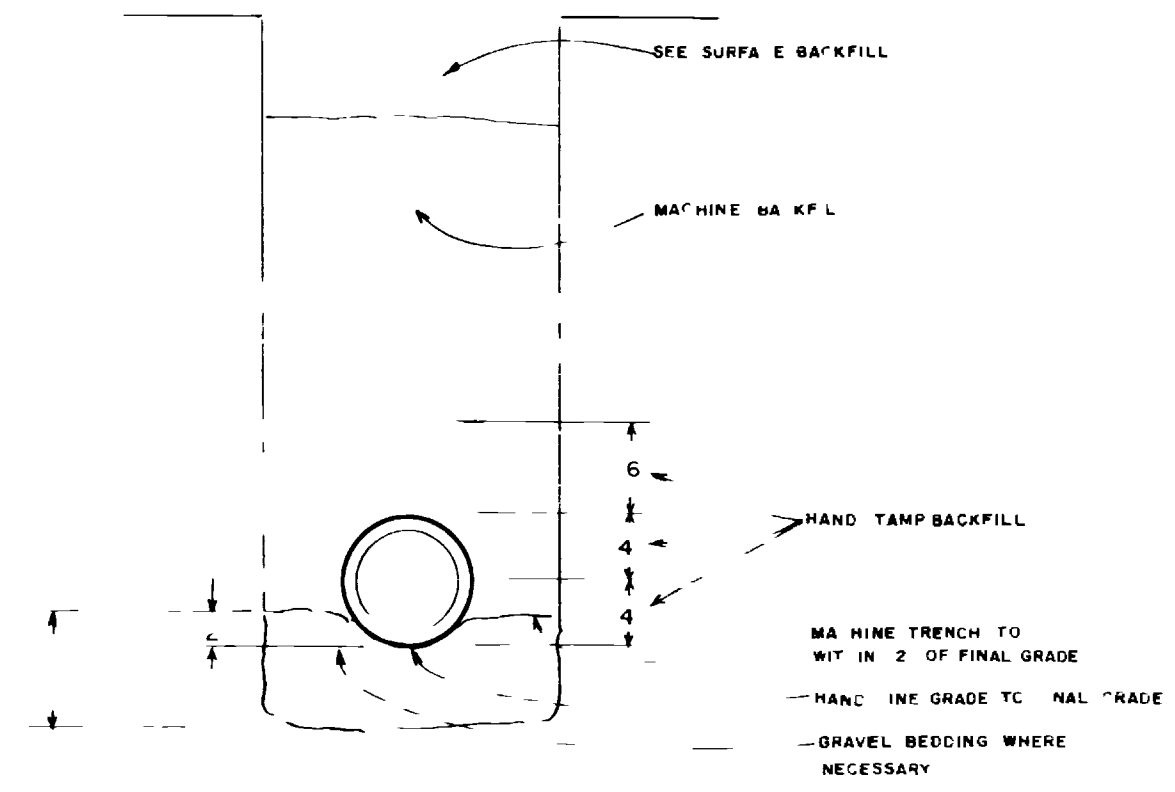




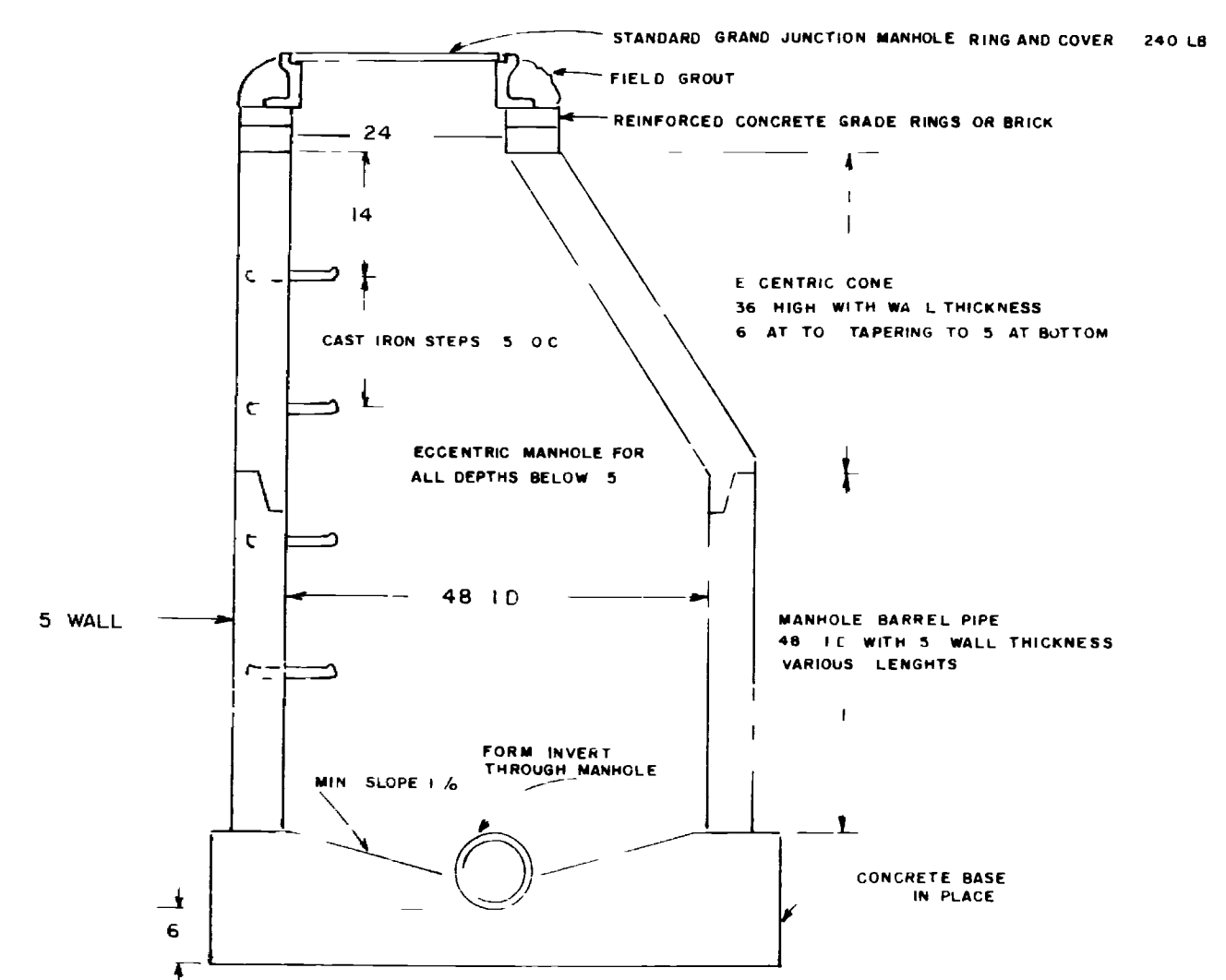
PIPE BEDDING



TRENCH BACKFILL



STANDARD GRAND JUNCTION RING & COVER  
WT 240 lbs



STANDARD SANITARY SEWER MANHOLE

SURFACE BACKFILL

