

INDEX

SHEET I PLAN AND PROFILE
 SHEET II DETAIL SHEET



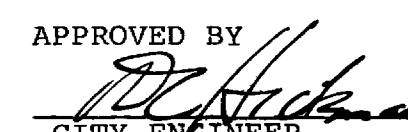

Book 292

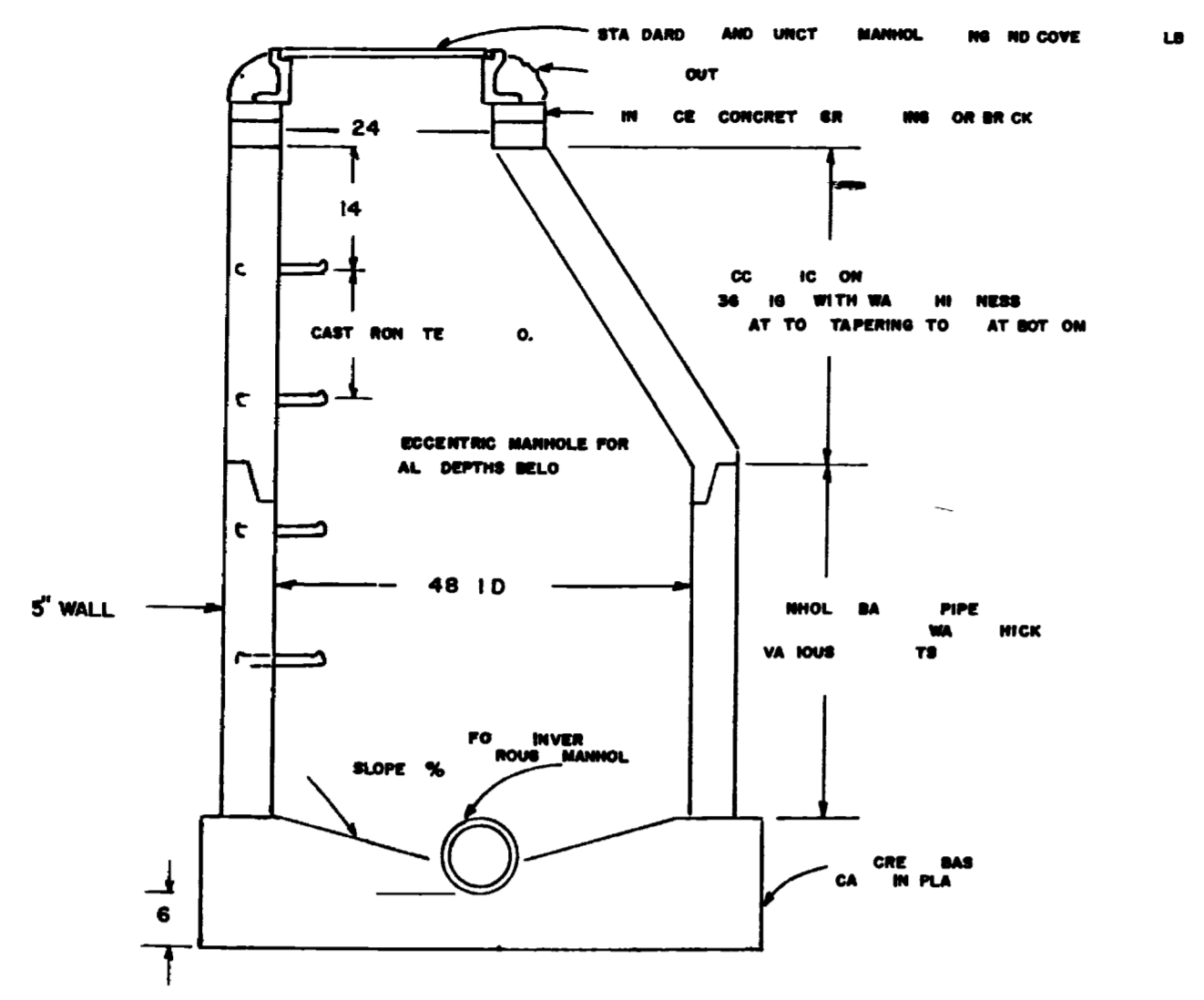
SANITARY SEWER DISTRICT 29 - 71

1971

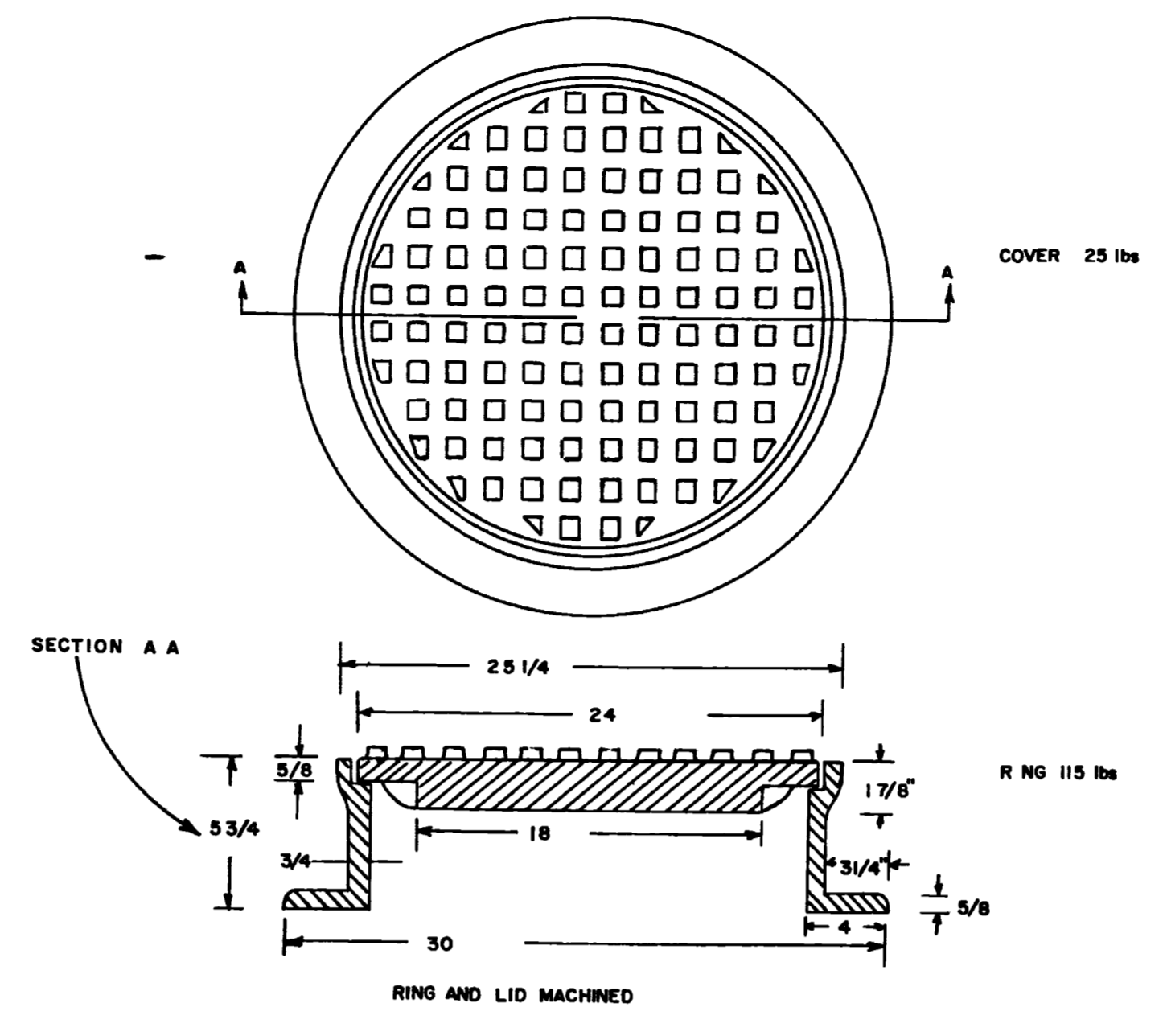
ENGINEERING DEPARTMENT
 CITY OF GRAND JUNCTION
 SANITARY SEWER DISTRICT 29 71
 1971

DRWN BY EAW HK
 DATE May 1971
 SCALE AS SHOWN

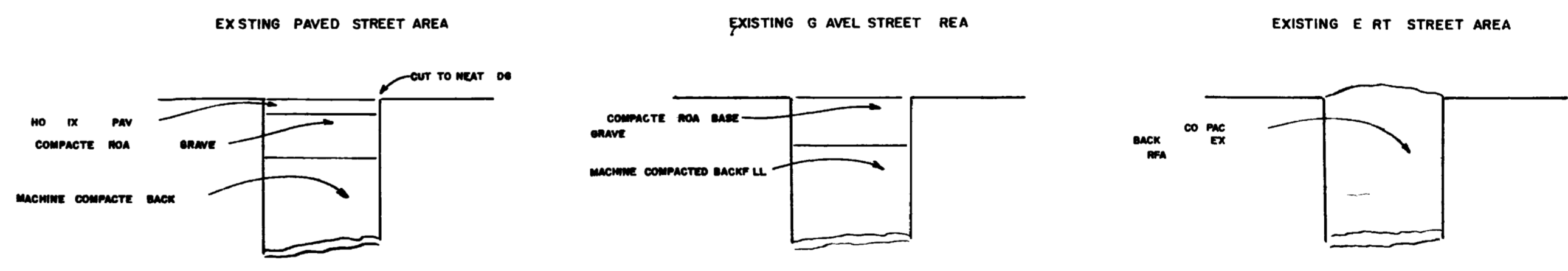
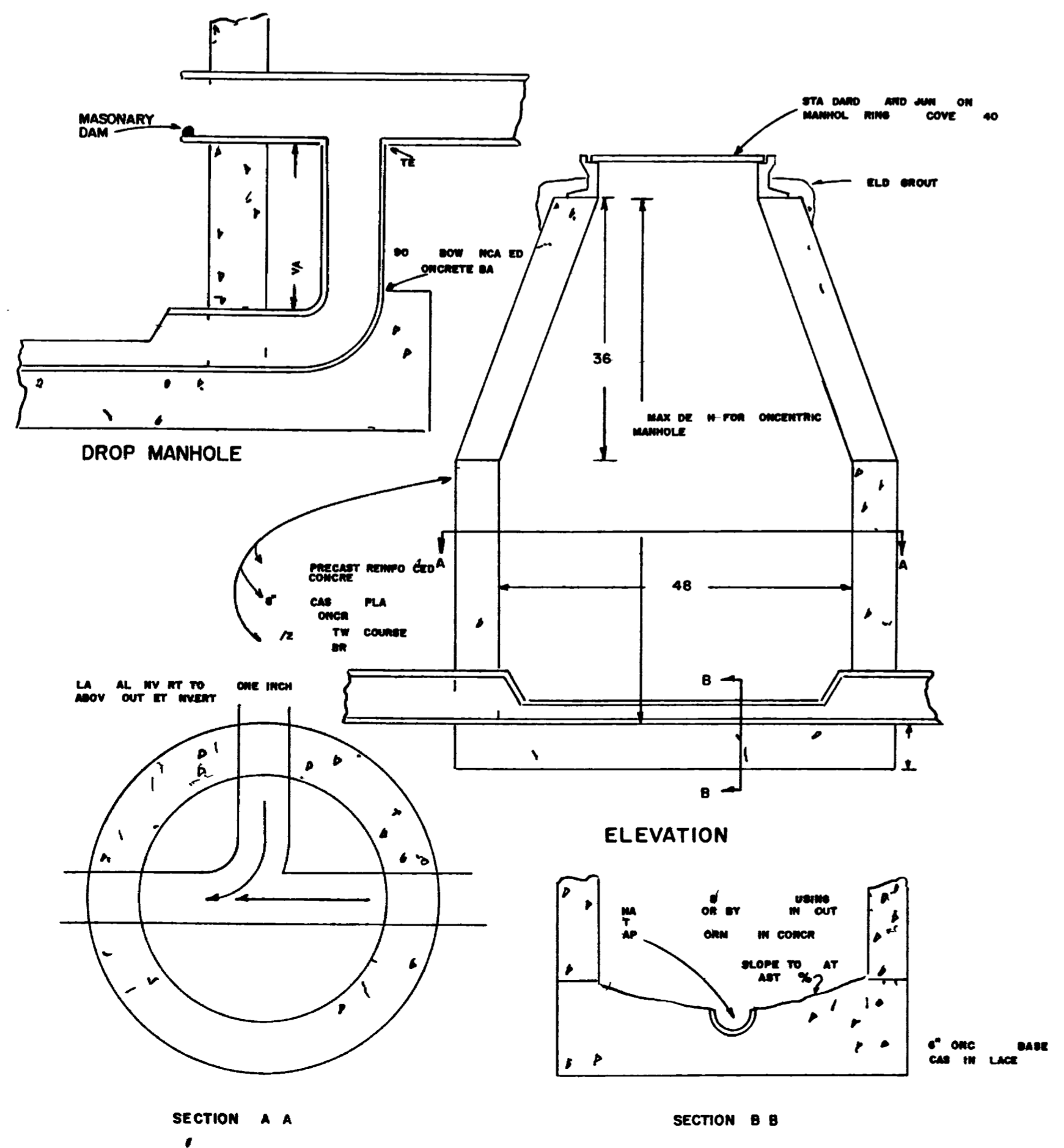
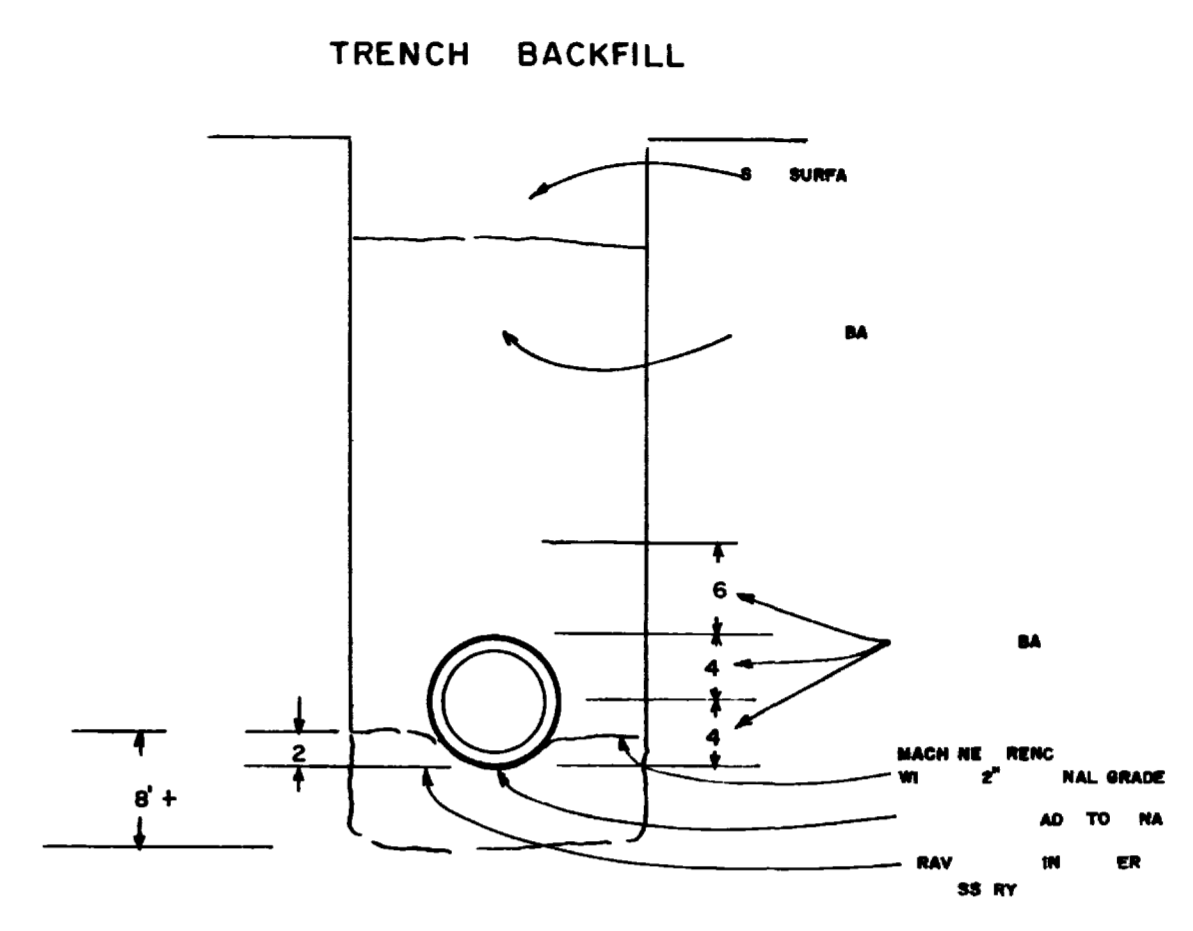
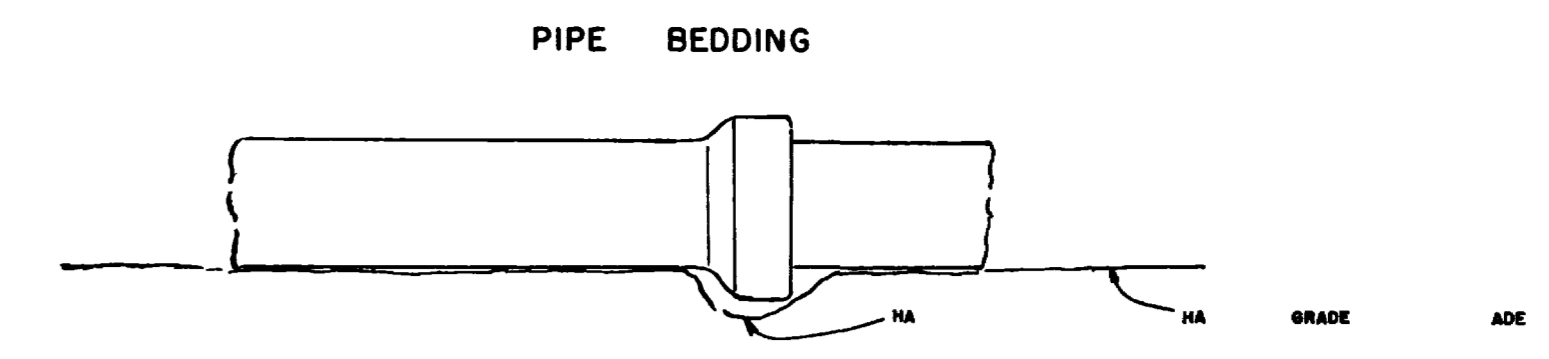
APPROVED BY

 CITY ENGINEER

 DIRECTOR OF UTILITIES



STANDARD SANITARY SEWER MANHOLE



STANDARD GRAND JUNCTION RING & COVER
WT 240 lbs



SURFACE BACKFILL

GRAND AVE

GRAND AVE

WHITE AVE

ROOD AVE

Scale 1"=100'

Note
Begin construction
at 1st MHA

M-H B'
Flow out 86.63
in 86.79

5+55
M-H C
Flow 89.86

9+55
Flow in 88.62
out 88.55

M-H G''
out 90.97
in 91.12

M-H K''
24+63
Flow 94.49

22+43
Flow 93.23

FIELD BOOK 292

HIGHWAY 70-1

