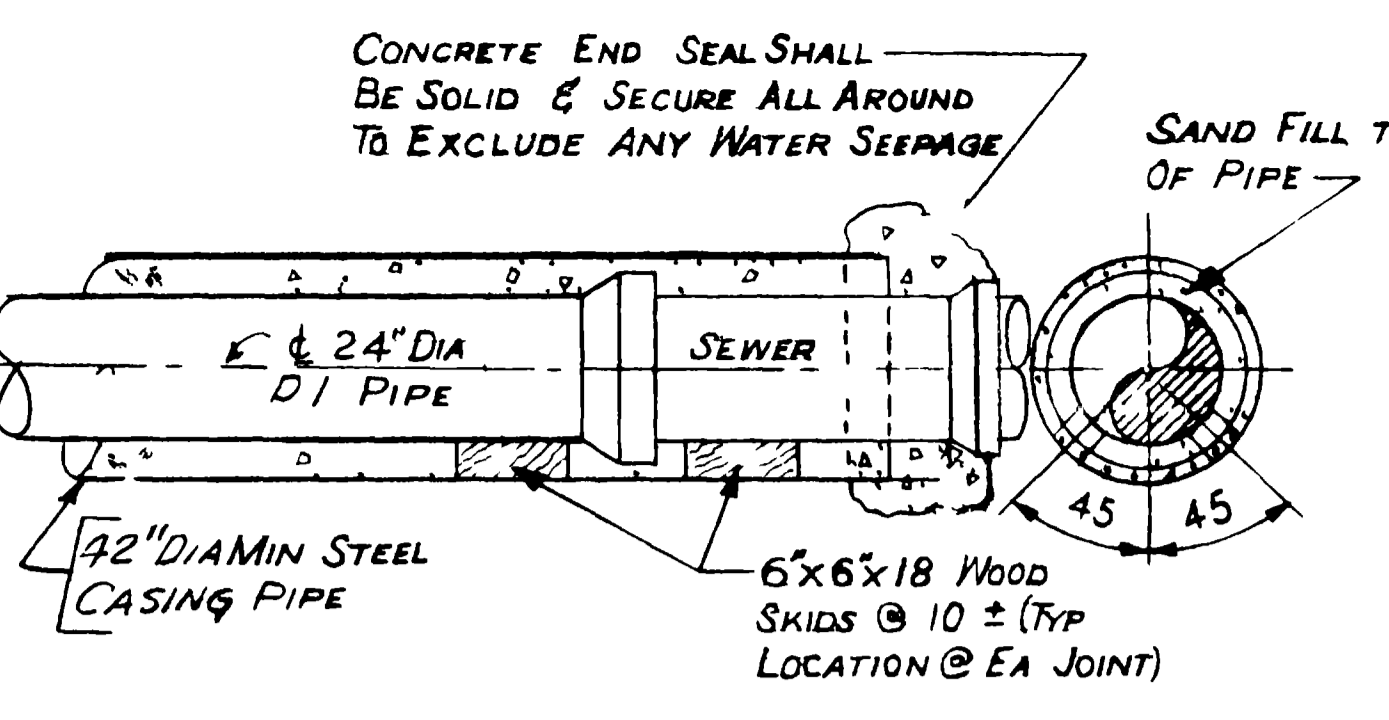
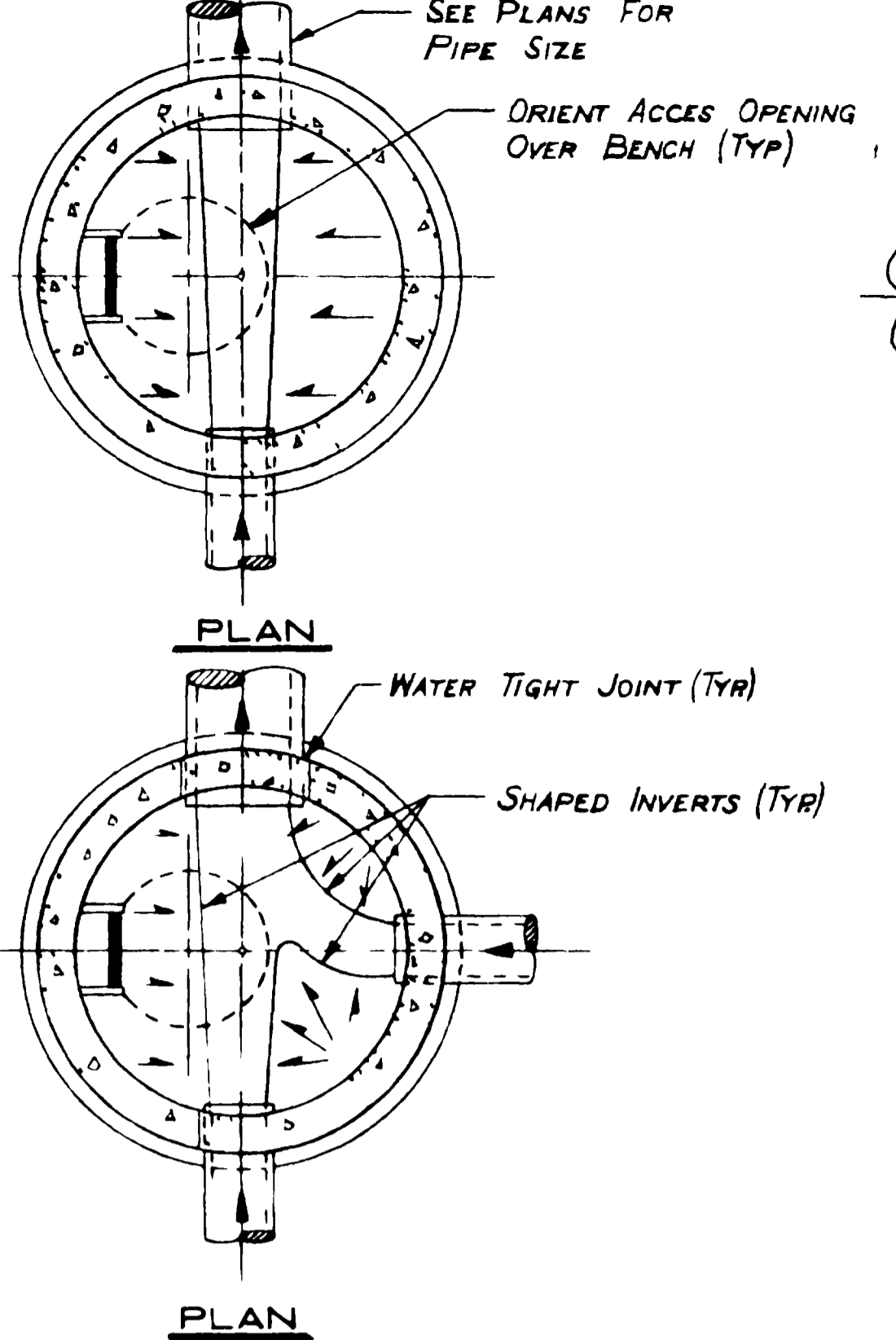
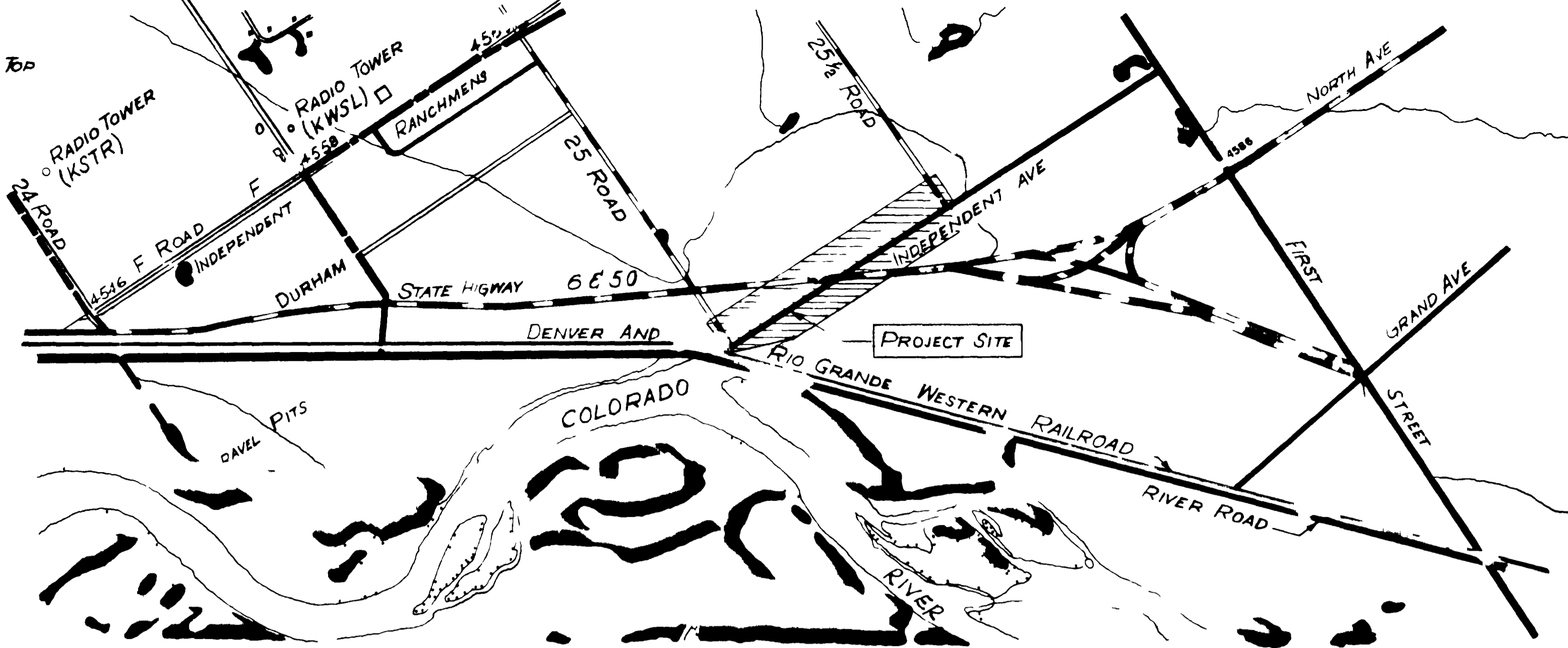


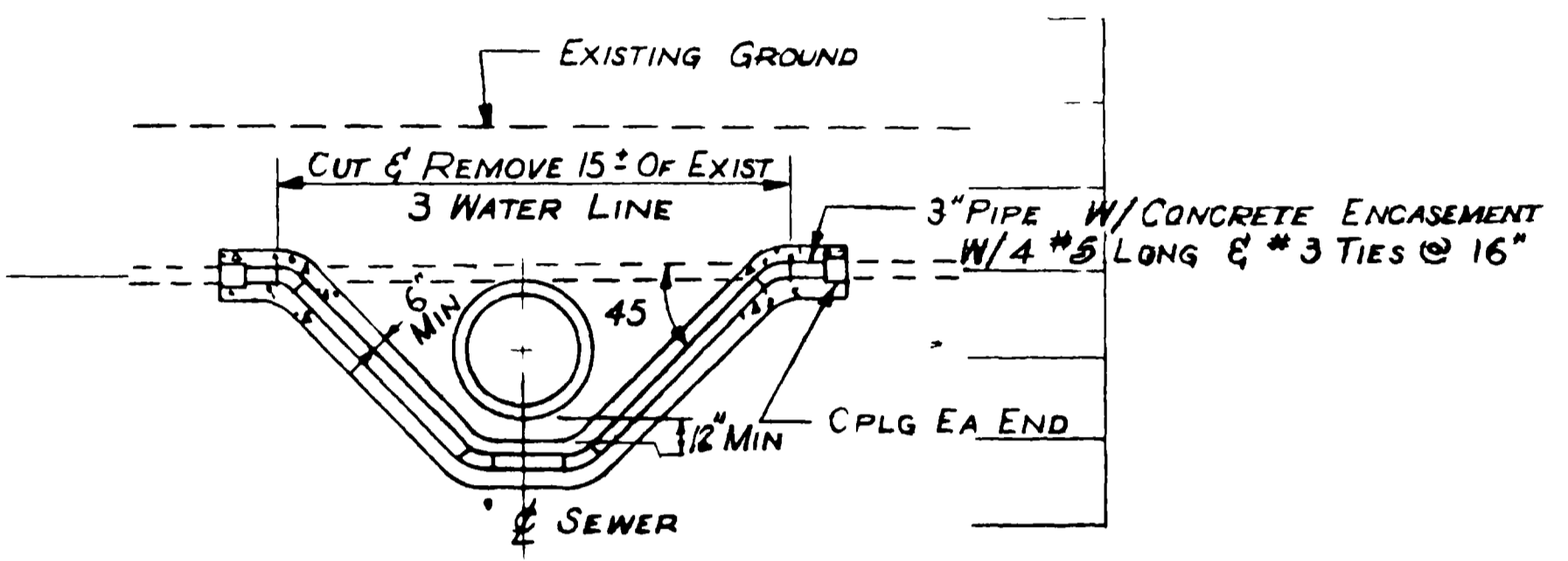
TYPICAL MANHOLE DETAIL
NO SCALE



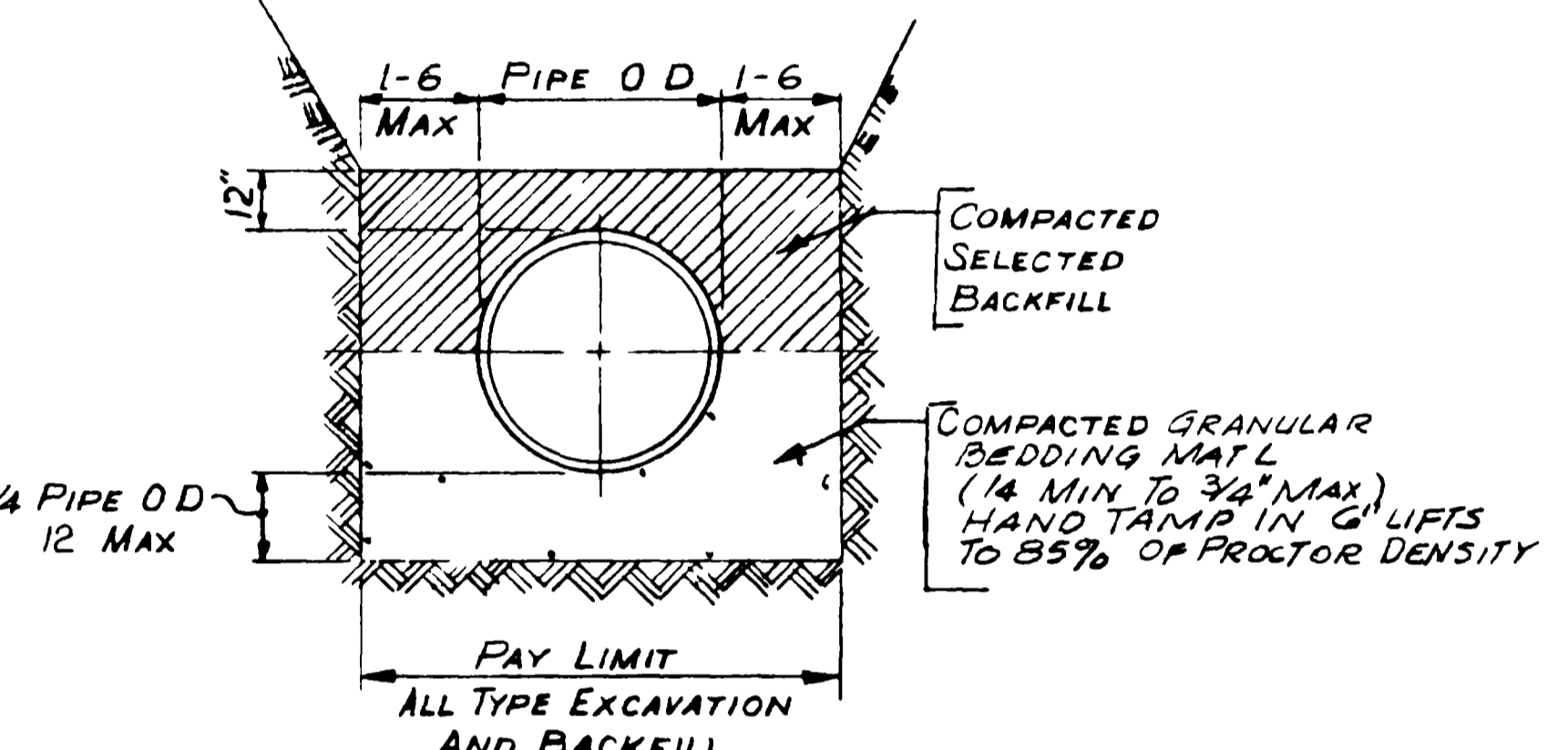
TYPICAL PIPE JACKING DETAILS
SCALE 3/8" = 1'-0"



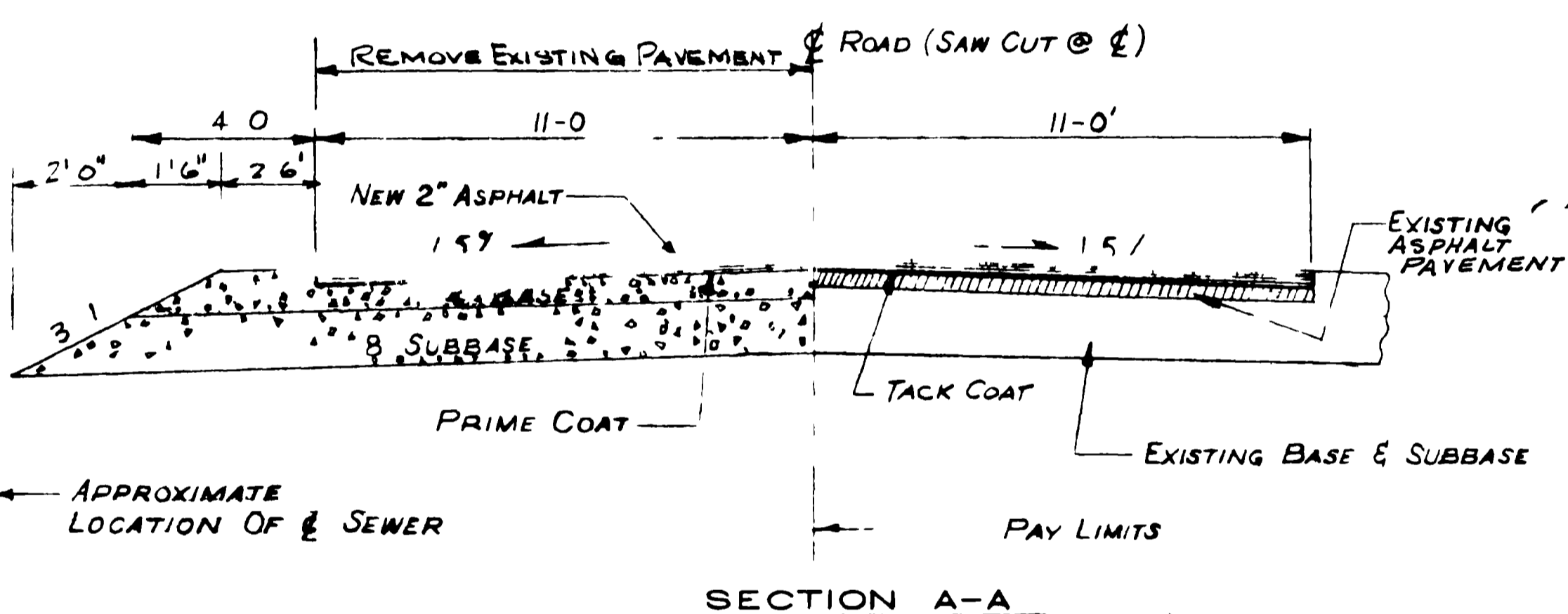
LOCATION PLAN



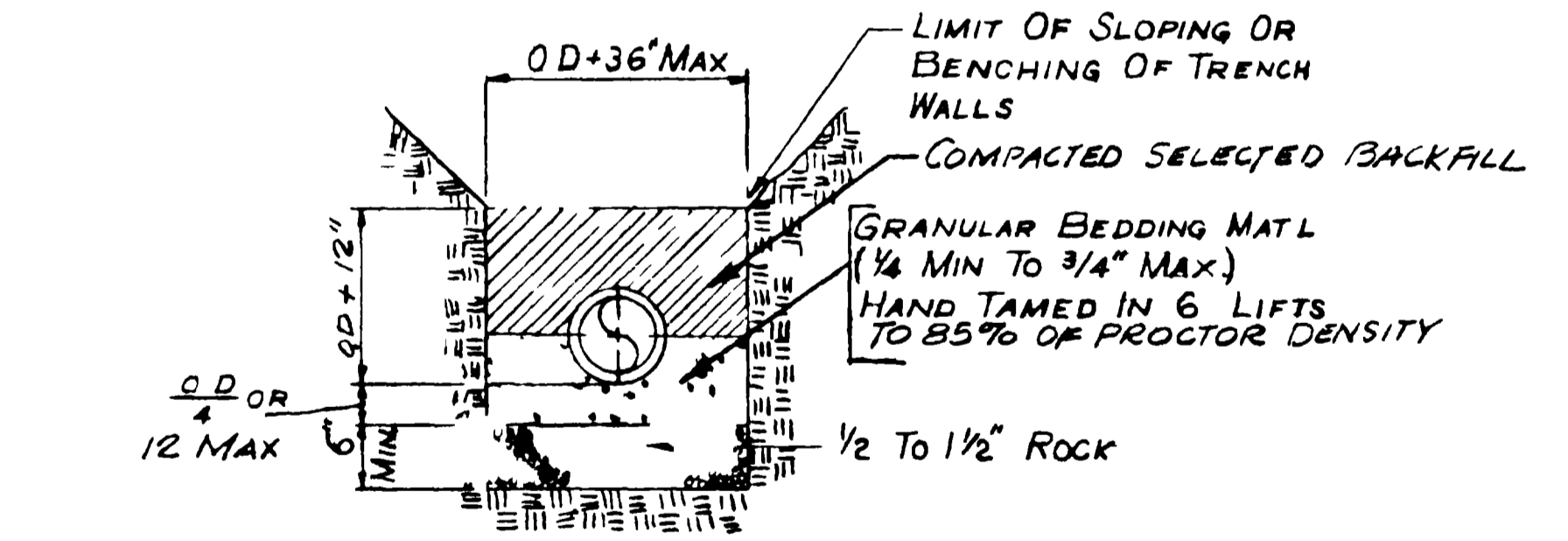
PROFILE-LOWERED 3" WATER LINE
NO SCALE



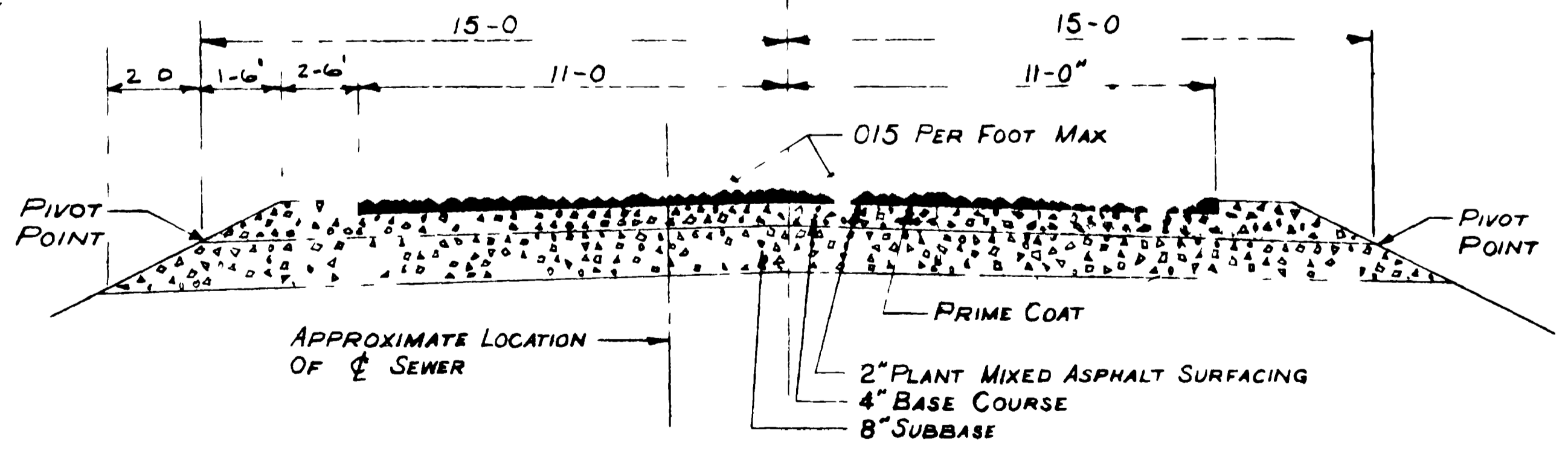
CLASS "B" PIPE BEDDING & TRENCH DETAILS
NO SCALE



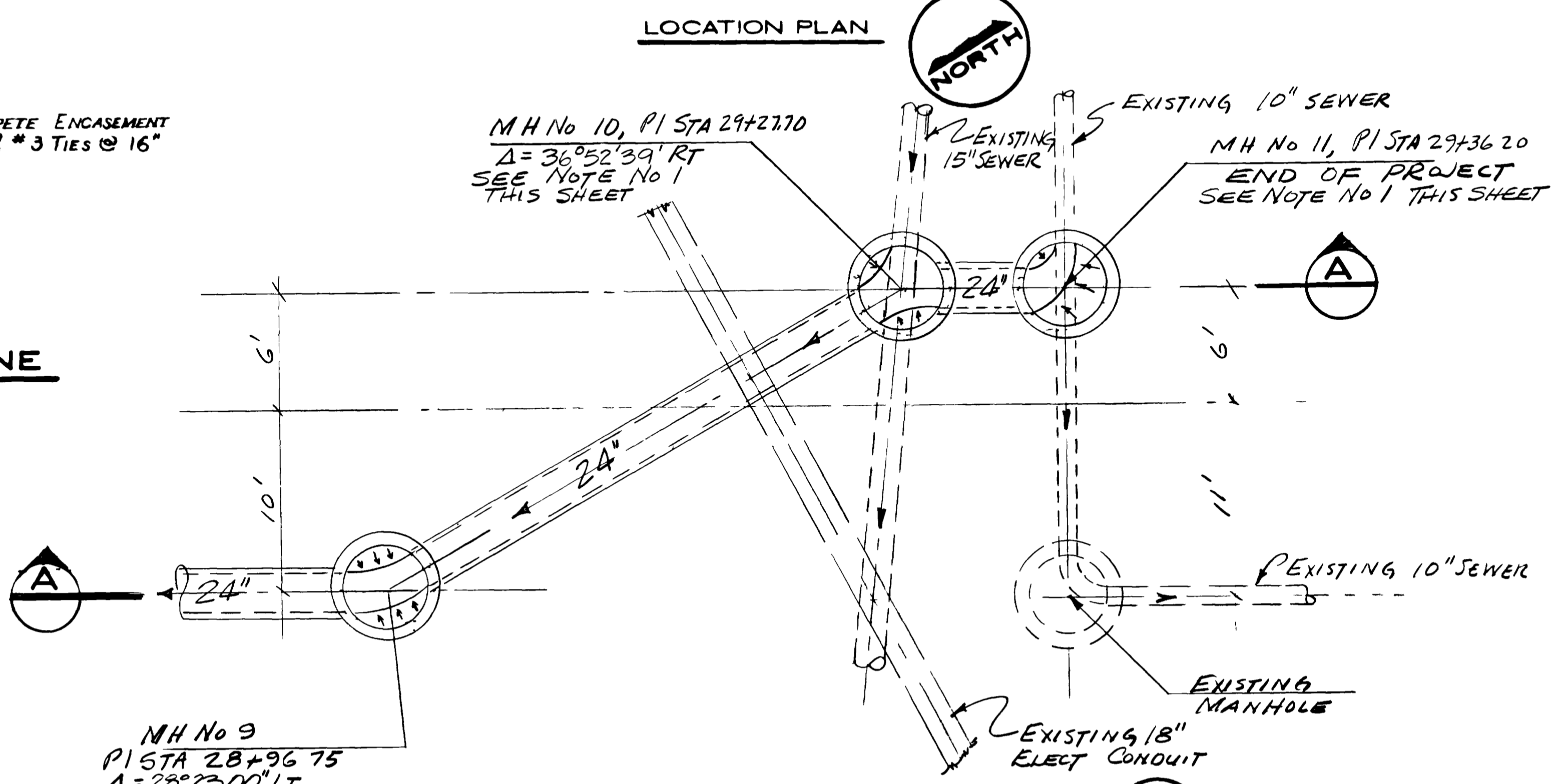
PAVEMENT & ROAD BASE REPLACEMENT
STA 1+72 ± TO STA 11+60 ± STA 18+80 ± TO STA 29+59 ±
SCALES 1" = 3'-0", HOR 1" = 2'-0", VERT



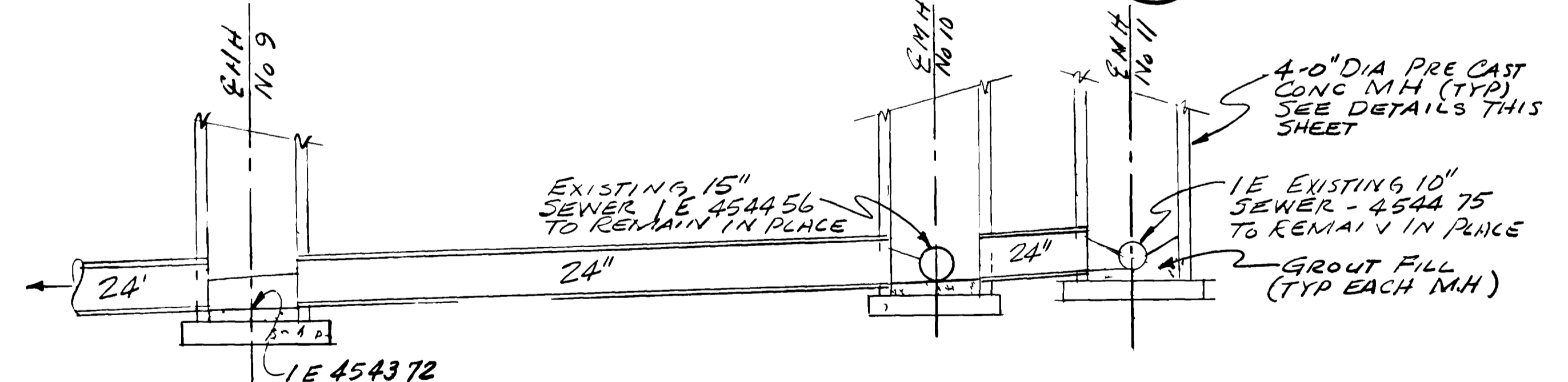
TRENCH & BEDDING REQUIREMENTS FOR UNSTABLE SUBGRADE CONDITIONS
NO SCALE



PAVEMENT & ROAD BASE REPLACEMENT
STA 14+50 TO STA 18+18 ±
SCALES 1" = 3'-0", HOR 1" = 2'-0", VERT



PLAN - DETAIL "A"
NO SCALE



SECTION A-A
NO SCALE

FILED WITH THE CITY OF GRAND JUNCTION AND MESA COUNTY COLORADO
APPROVED *Carma S. Peterson* MAY 17, 1981
CITY OF GRAND JUNCTION AND MESA COUNTY
SUBMITTED *Paul A. Shuster* July 23, 1981
HENNINGSON DURHAM & RICHARDSON DATE

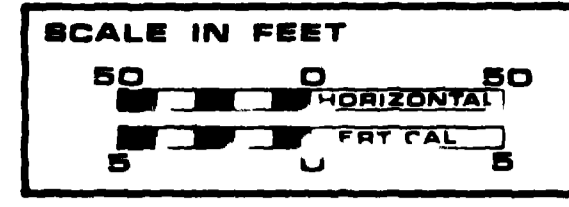
NOTES
1 CONTRACTOR SHALL CONSTRUCT MH NO 10 & MH NO 11 AROUND EXISTING 15" & 10" SEWER PIPE WITH INVERTS GROUTED TO SUIT FUTURE FLOW LINE. BREAK-OUT & PLUGGING OF EXISTING SEWER LINES SHALL BE DONE BY CITY FORCES AT A FUTURE DATE

AS RECORDED
FROM INFORMATION PROVIDED BY THE CONTRACTORS
DATE JUNE 1982

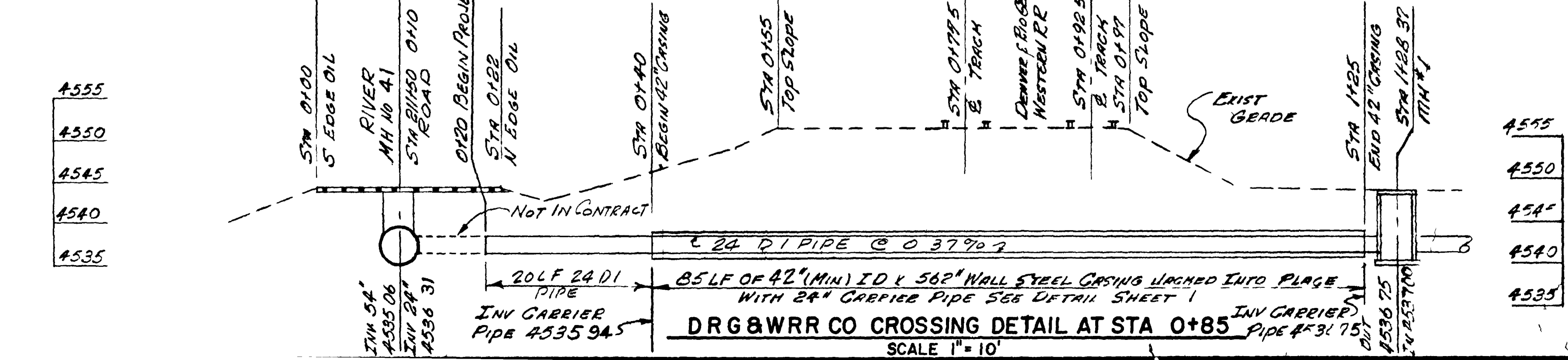
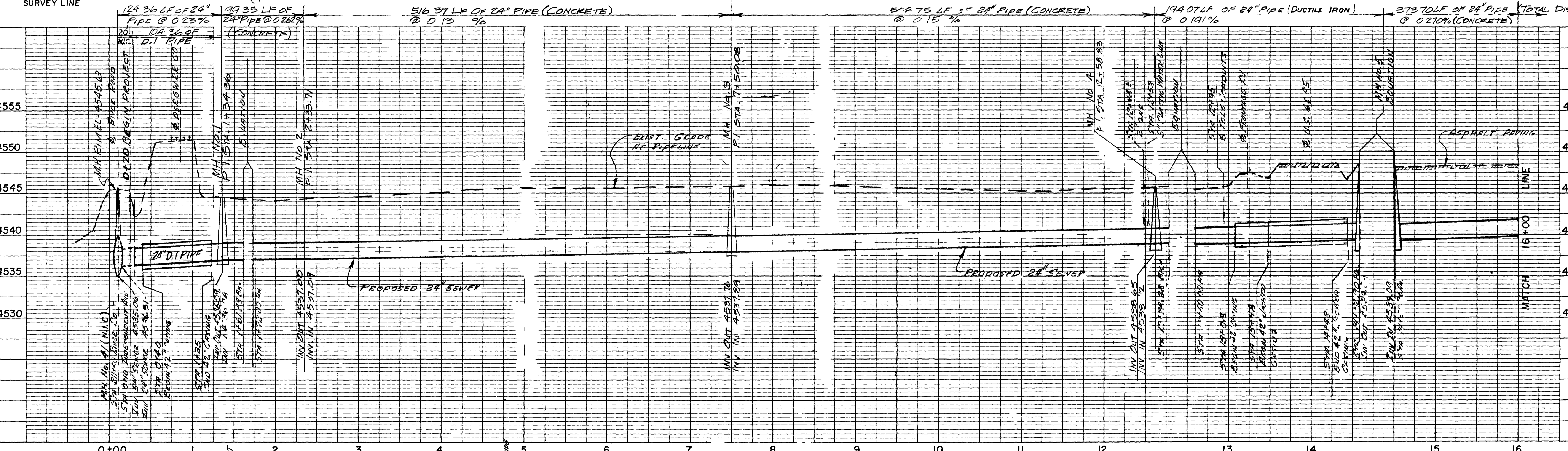
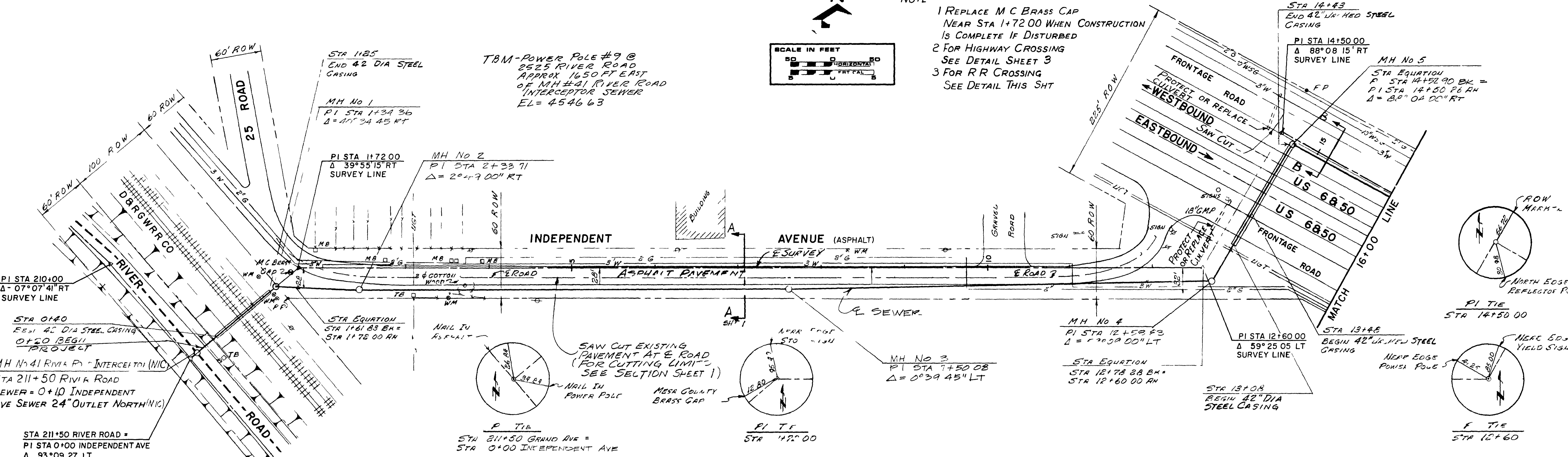


GRAND JUNCTION / MESA COUNTY
INDEPENDENT AVENUE INTERCEPTOR SEWER
LOCATION PLAN & MISCELLANEOUS PROJECT DETAILS

HENNINGSON DURHAM & RICHARDSON INC
ENGINEERS PLANNERS CONSULTANTS
JOB DESIGNED BY STOKES CHECKED BY HENRICHSEN SHEET
73-47-10 APPROVED BY W.L. BREDAR DATE DEC 1980 1 OF 3



- NOTE
- 1 REPLACE M C BRASS CAP NEAR STA 1+72.00 WHEN CONSTRUCTION IS COMPLETE IF DISTURBED
 - 2 FOR HIGHWAY CROSSING SEE DETAIL SHEET 3
 - 3 FOR R R CROSSING SEE DETAIL THIS SHT



"AS BUILT" FROM INFORMATION PROVIDED BY THE CONTRACTOR DATE JUNE 1982



GRAND JUNCTION / MESA COUNTY
INDEPENDENT AVENUE INTERCEPTOR SEWER

PLAN & PROFILE
 STA 0+10 TO STA 16+00

HENNINGSON DURHAM & RICHARDSON INC
 ENGINEERING ARCHITECTURE PLANNING
 DENVER COLORADO

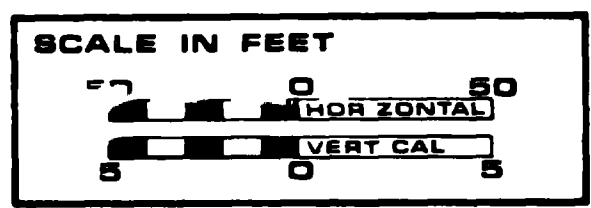
DATE: 12-18-82
 REVISIONS: AS RECORDED, REVISED

DESIGNER: J. MUELLER
 CHECKER: K. HENNINGSON
 APPROVER: W.L. BREAR

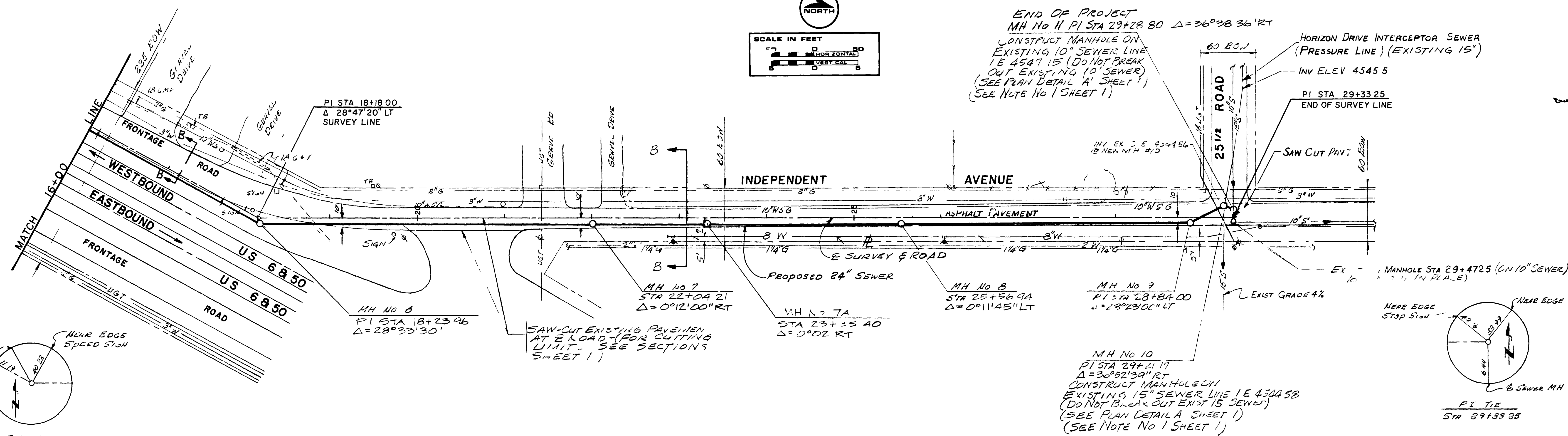
DATE: 73-44-10
 REVISIONS: MADE, APPROV

JOB: 73-44-10
 SHEET: 2 OF 2

02096802.tif



END OF PROJECT
 MH No 11 PI STA 29+28.80 Δ=36°38'36" RT
 CONSTRUCT MANHOLE ON
 EXISTING 10" SEWER LINE
 IE 4547.15 (DO NOT BREAK
 OUT EXISTING 10" SEWER)
 (SEE PLAN DETAIL A' SHEET 1)
 (SEE NOTE NO 1 SHEET 1)



373.70 LF TOTAL DIST

(CONCRETE)
 223.96 LF OF 24" PIPE @ 0.270%

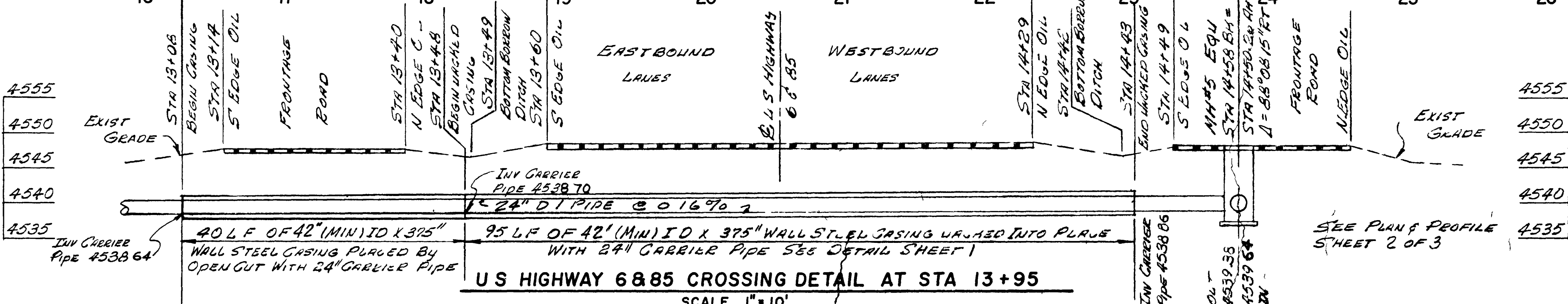
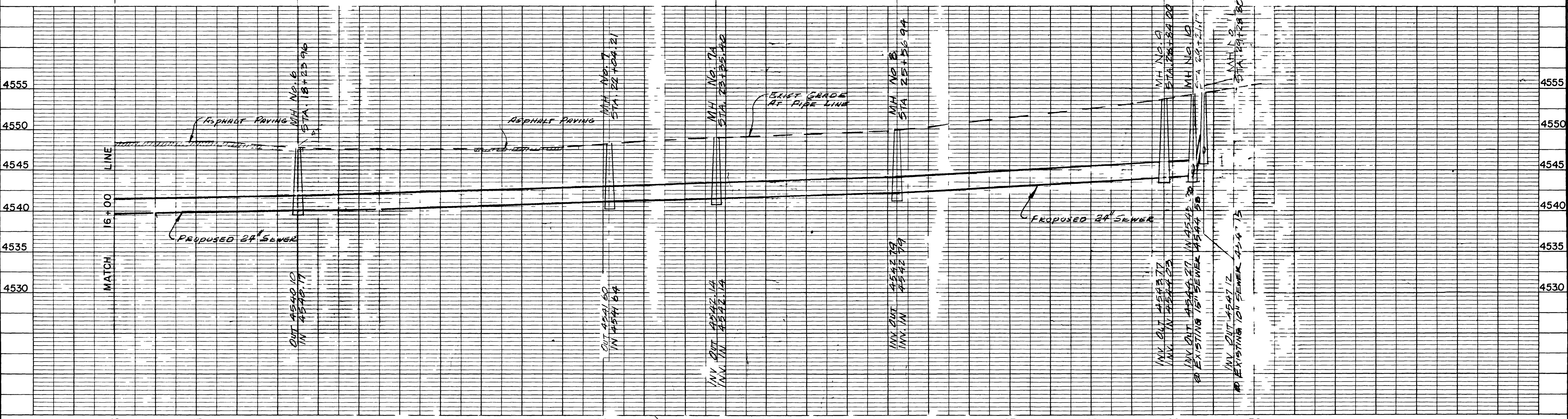
380.25 LF OF 24" PIPE (CONCRETE) @ 0.33%

131.19 LF OF 24" PIPE CONCRETE @ 0.38%

221.54 LF OF 24" PIPE CONCRETE @ 0.293%

327.06 LF OF 24" PIPE (CONCRETE) @ 0.30%

37.17 LF OF 24" @ 0.65%
 7.63 LF OF 24" (CONCRETE PIPE)



RECORDED
 1772 3/11 REVISED ALIGNMENT STA 18+53 TO 29+38
 12 18 81 REVISED
 31 JUNE 1982



GRAND JUNCTION / MESA COUNTY
INDEPENDENT AVENUE INTERCEPTOR SEWER

PLAN & PROFILE
 STA 16+00 TO STA 29+38

HENNINGSON DURHAM & RICHARDSON INC
 ENGINEERING ARCHITECTURE PLANNING
 DENVER, COLORADO

JOB: 73-47-10
 DESIGNED: J. MUELLER
 CHECKED: K. HEUBICHSEN
 APPROVED: L. BREDAK
 DATE: DEC. 1980

SHEET 3 OF 3

DATE	DESCRIPTION	REVISIONS	MADE	APPROV
12-18-81	RECORDED		AT	RVS
12-18-81	REVISED ALIGNMENT STA 18+53 TO 29+38		AT	RVS
12-18-81	REVISED		AT	RVS