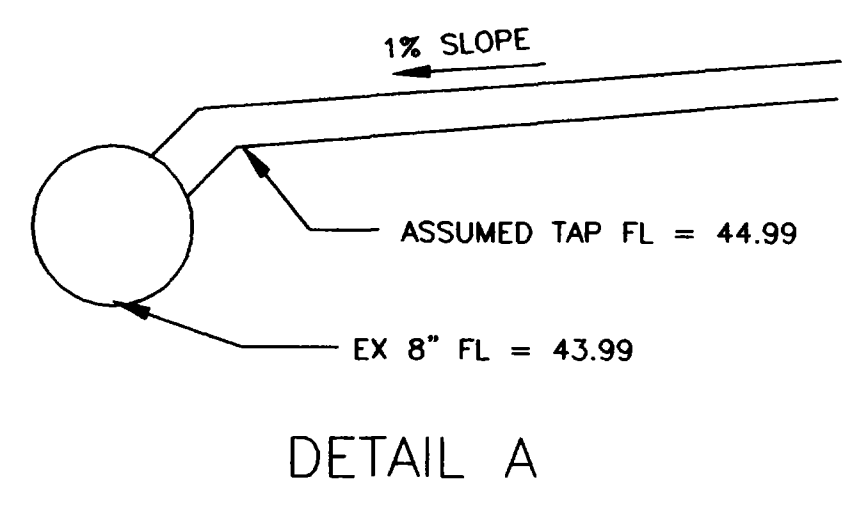
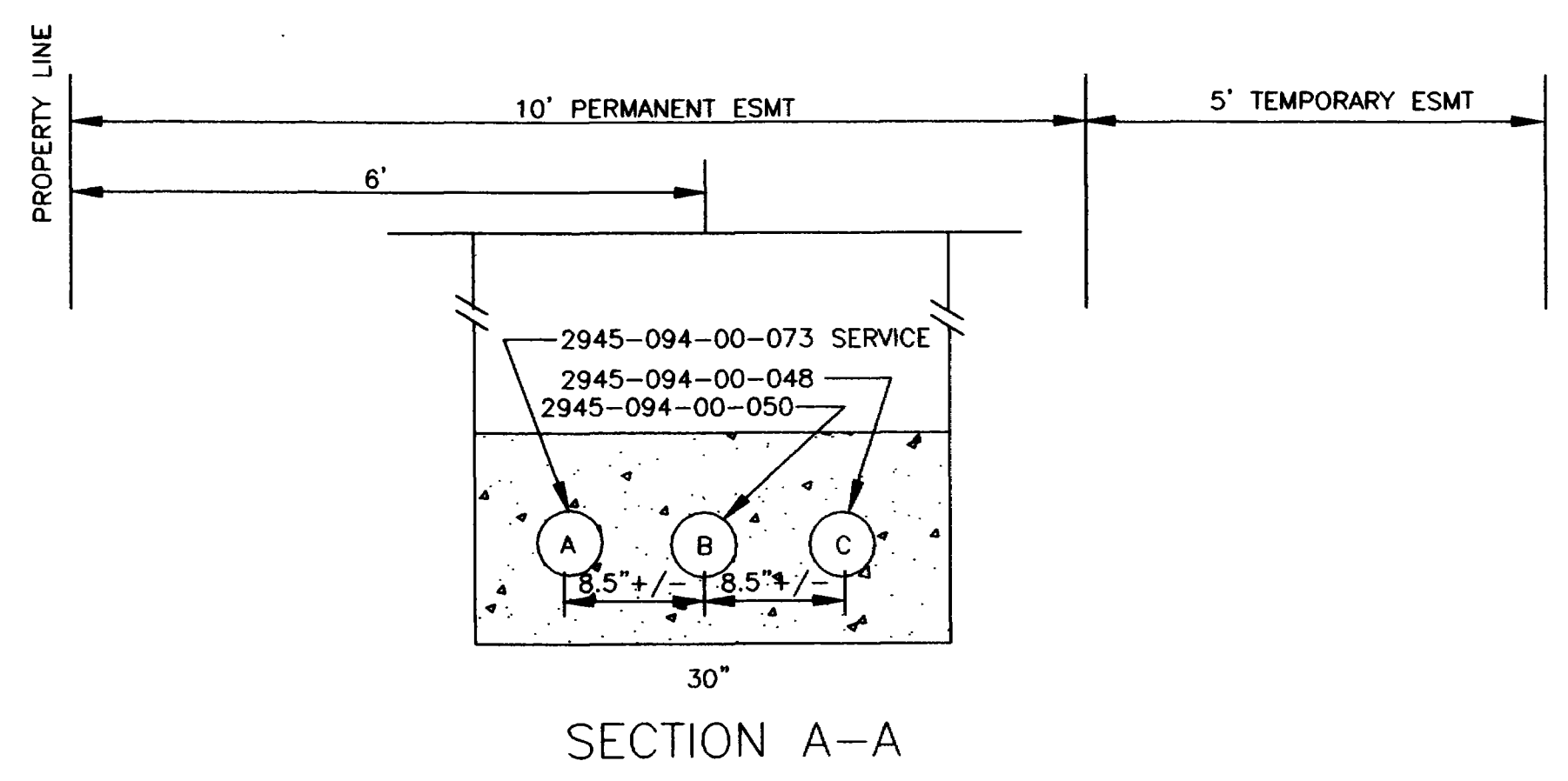


SERVICE LINE	PNT	Northing	Easting	Inv Elev	Length
A	A1	5027.57	904.50	45.00 TAP	195.42
	A2	5199.09	998.15	46.95	
	A3	5228.84	954.37	47.48	
B	B1	5027.18	905.10	44.99 TAP	188.95
	B2	5193.02	995.64	46.87	
	B3	5194.77	1002.29	46.94	
C	C1	5026.84	905.77	44.98 TAP	178.56
	C2	5183.56	991.29	46.77	
	C3	5119.88	1093.63	47.79	
	C4	5122.60	1110.59	47.96	
TBM A		4955.671	937.409	4652.530	742.28 LF
PIN #1		5042.496	906.605	4650.827	
PIN #2		5195.913	990.366	4650.799	

- NOTES
- All lines to be 4" SDR35 PVC laid at 1%.
  - Cleanouts to be installed per UPC. (every 100')
  - TAP ELEVATIONS ARE ASSUMED TO BE 1' HIGHER THAN FLOWLINE ELEVATION OF 43.99. CONTRACTOR TO VERIFY.

2945-094-00-050  
2487 Highway 6 & 50  
Raymond Cole



NOT ASBUILT

REVISION	DESCRIPTION	DATE	DRAWN BY	DATE	CHECKED BY	DATE	APPROVED BY	DATE	FIELD BOOK NO.	PAGE

DEPARTMENT OF PUBLIC WORKS AND UTILITIES  
ENGINEERING DIVISION  
CITY OF GRAND JUNCTION, COLORADO

U.S. HIGHWAY 6 & 50  
SEWER IMPROVEMENT DISTRICT  
INDEPENDENT AVE. SERVICE EXTENSION

SHEET NO. 1  
OF 1  
FILE NO. 2478IND3.DWG