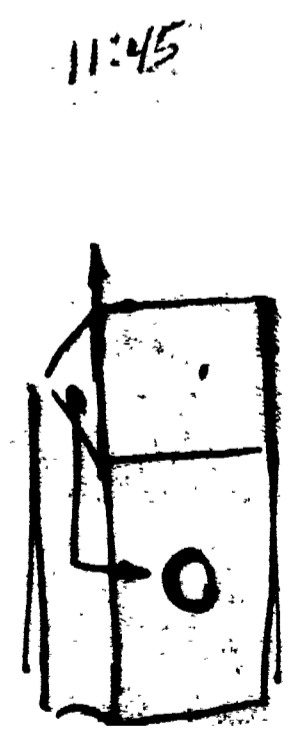


SECTION A-A
 Scale: 1" = 5' Vert.
 1" = 50' Horz.

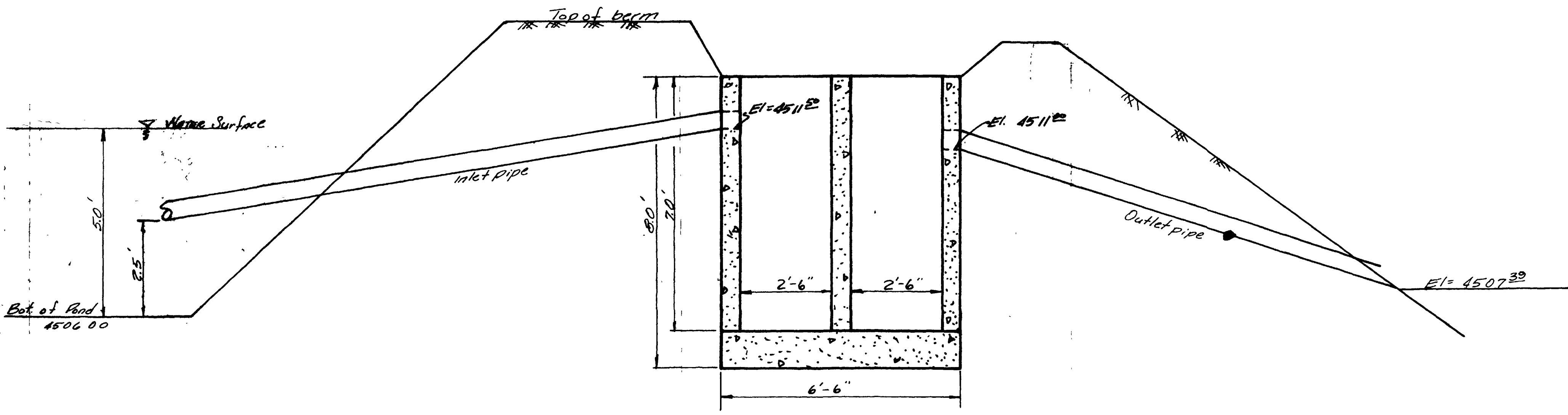
PLAN
 Scale: 1" = 50'

BENCH MARK:
 Nail in Priv. Pole
 South of Lagoon,
 Top of Hill
 Elev. 4578.44

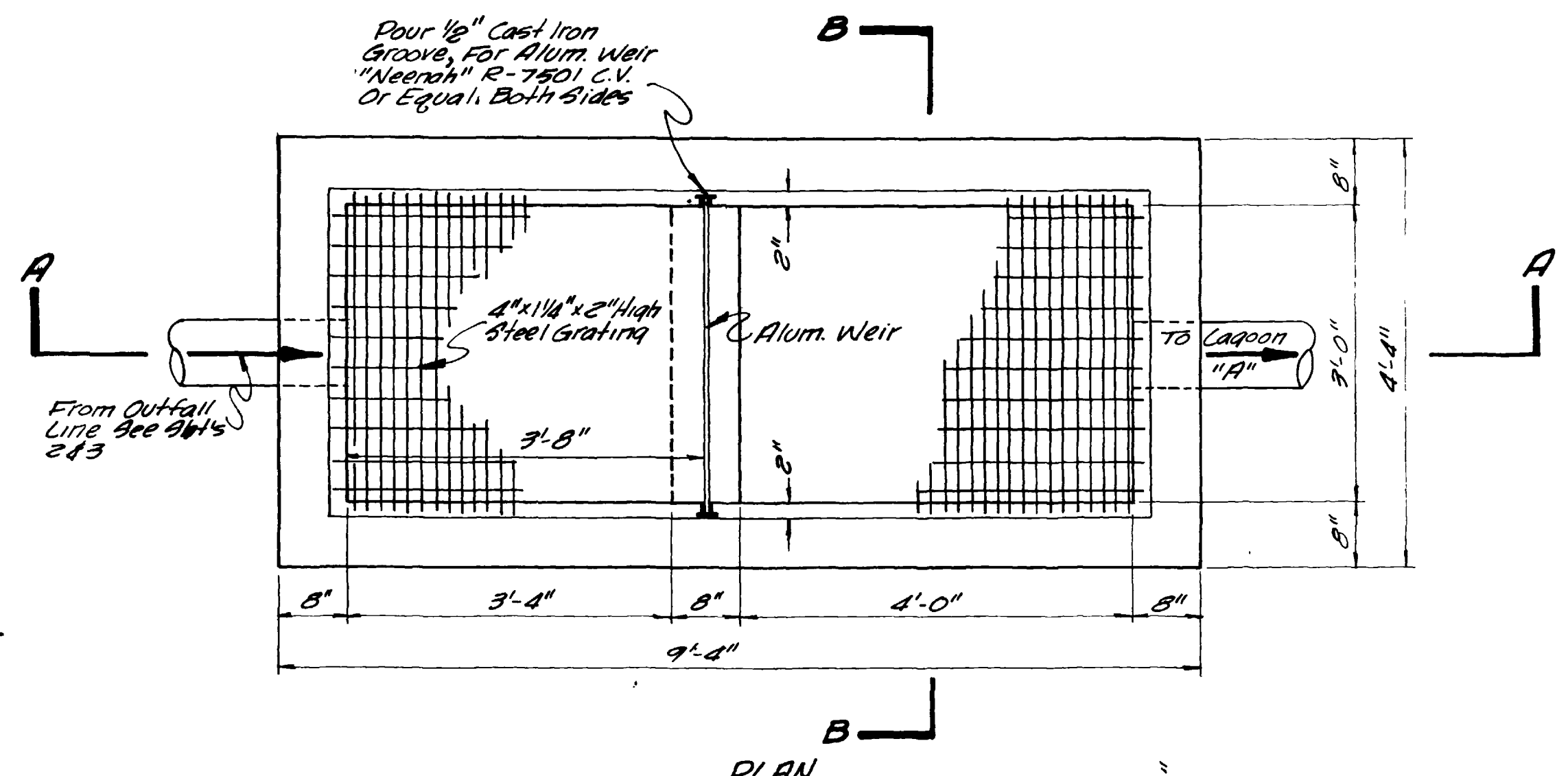


AS BUILT

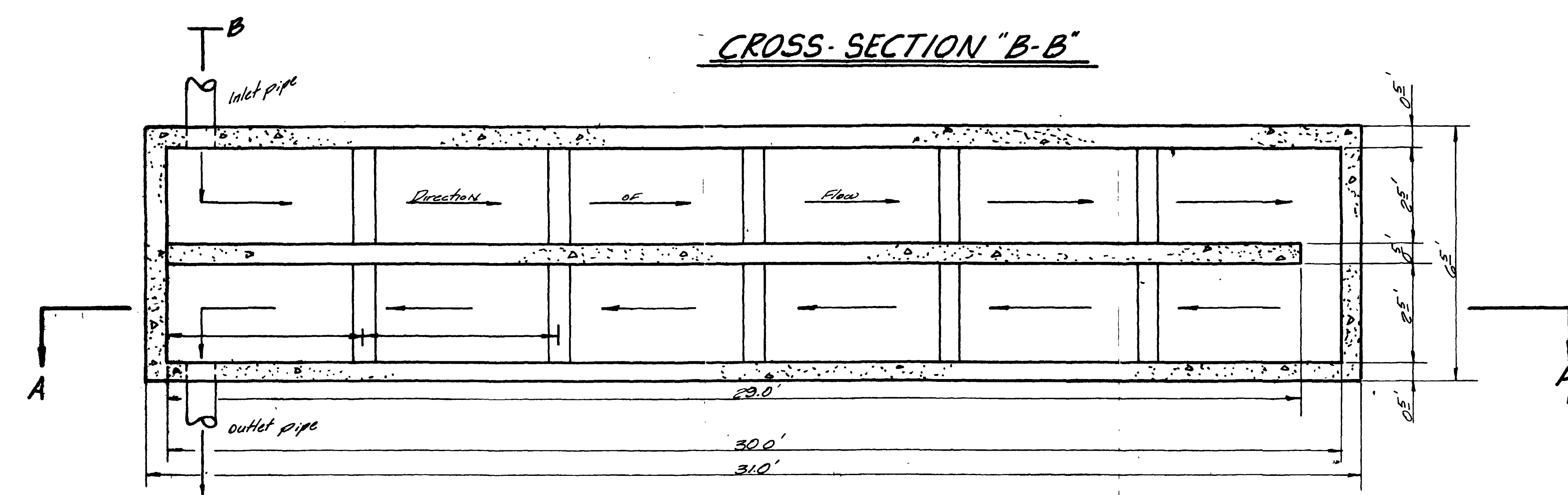
DATE March, 1973		DRAFTSMAN T.A.L.	DEPT. HEAD R.P.B.	ENGINEERING NELSON - HALEY - PATTERSON AND QUIRK		PANORAMA IMPROVEMENT DIST.		STABILIZATION POND		7	
SCALE As Shown		PROJECT ENGR. R.L.A.	CONST. REP.	ENGINEERING CONSULTANTS		MEGA COUNTY, COLORADO		SITE PLAN		SHEETS	
PROJECT MGR. G.W.B.				GRAND JUNCTION COLORADO							



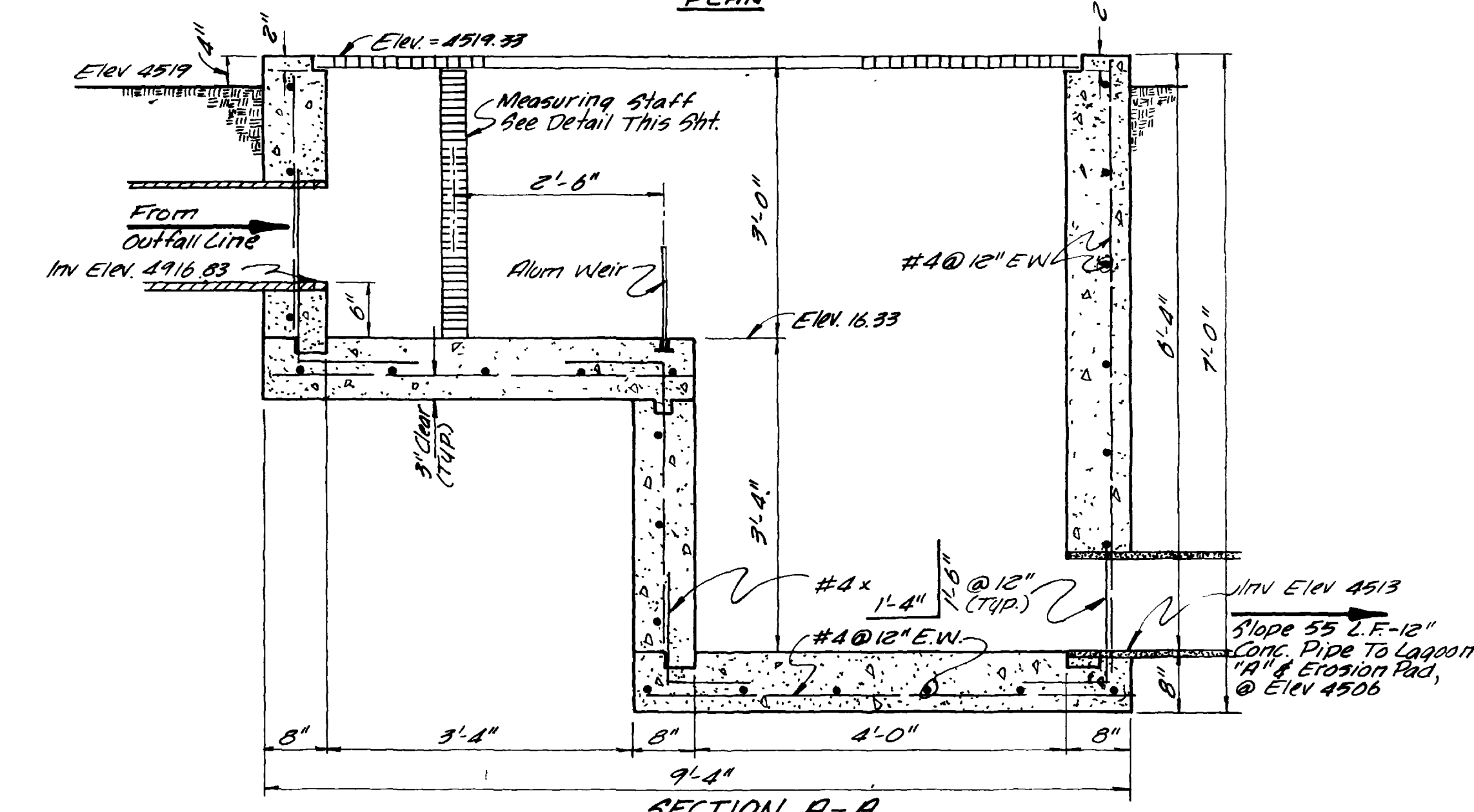
CROSS-SECTION "B-B"



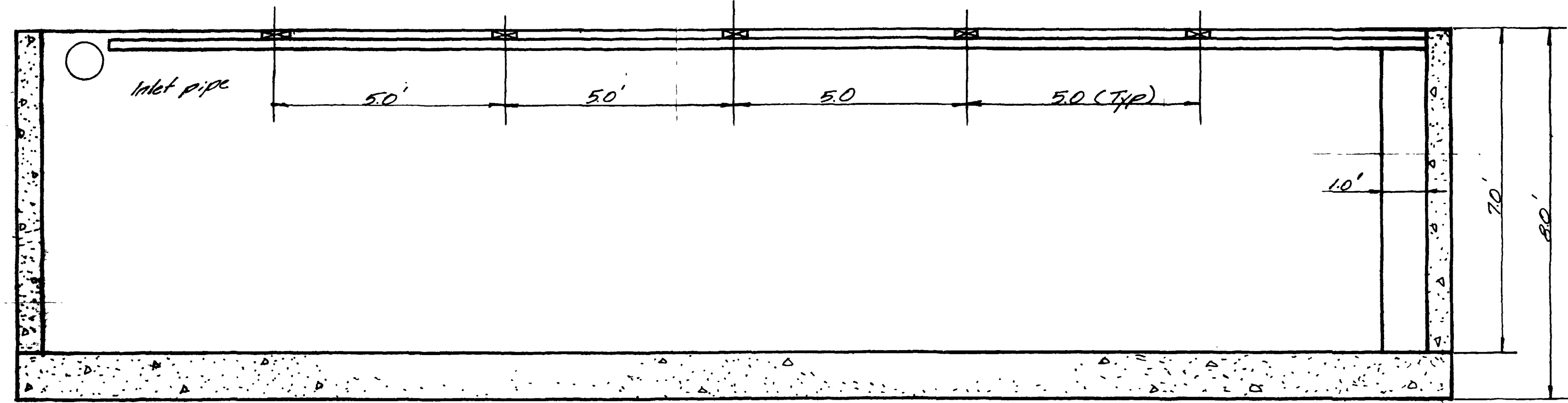
PLAN



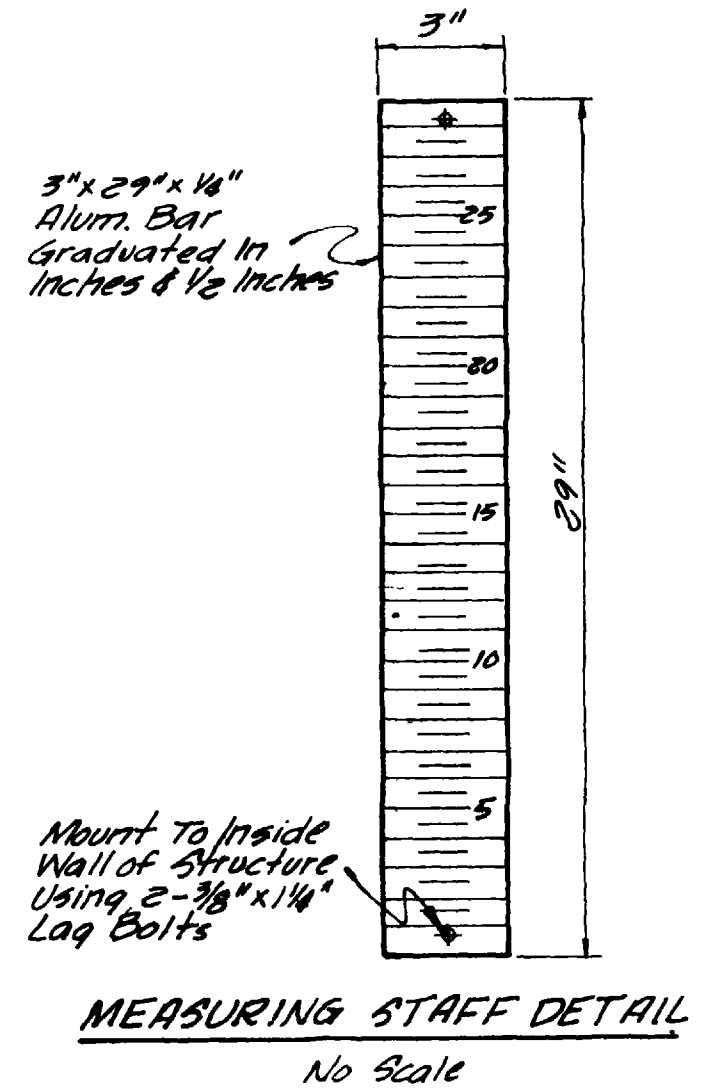
PLAN



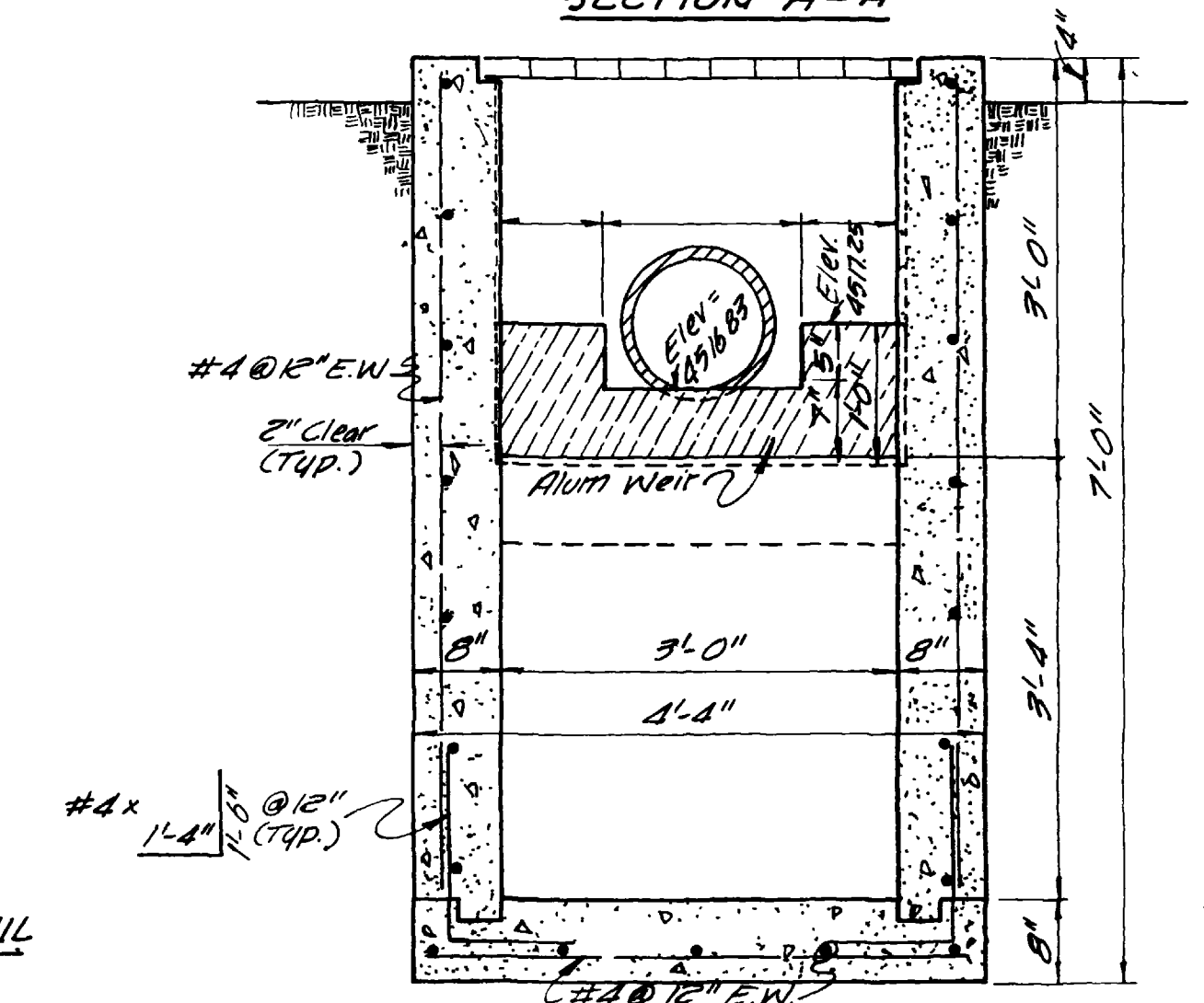
SECTION A-A



CROSS SECTION "A-A"
CHLORINE CONTACT BASIN



MEASURING STAFF DETAIL
No Scale

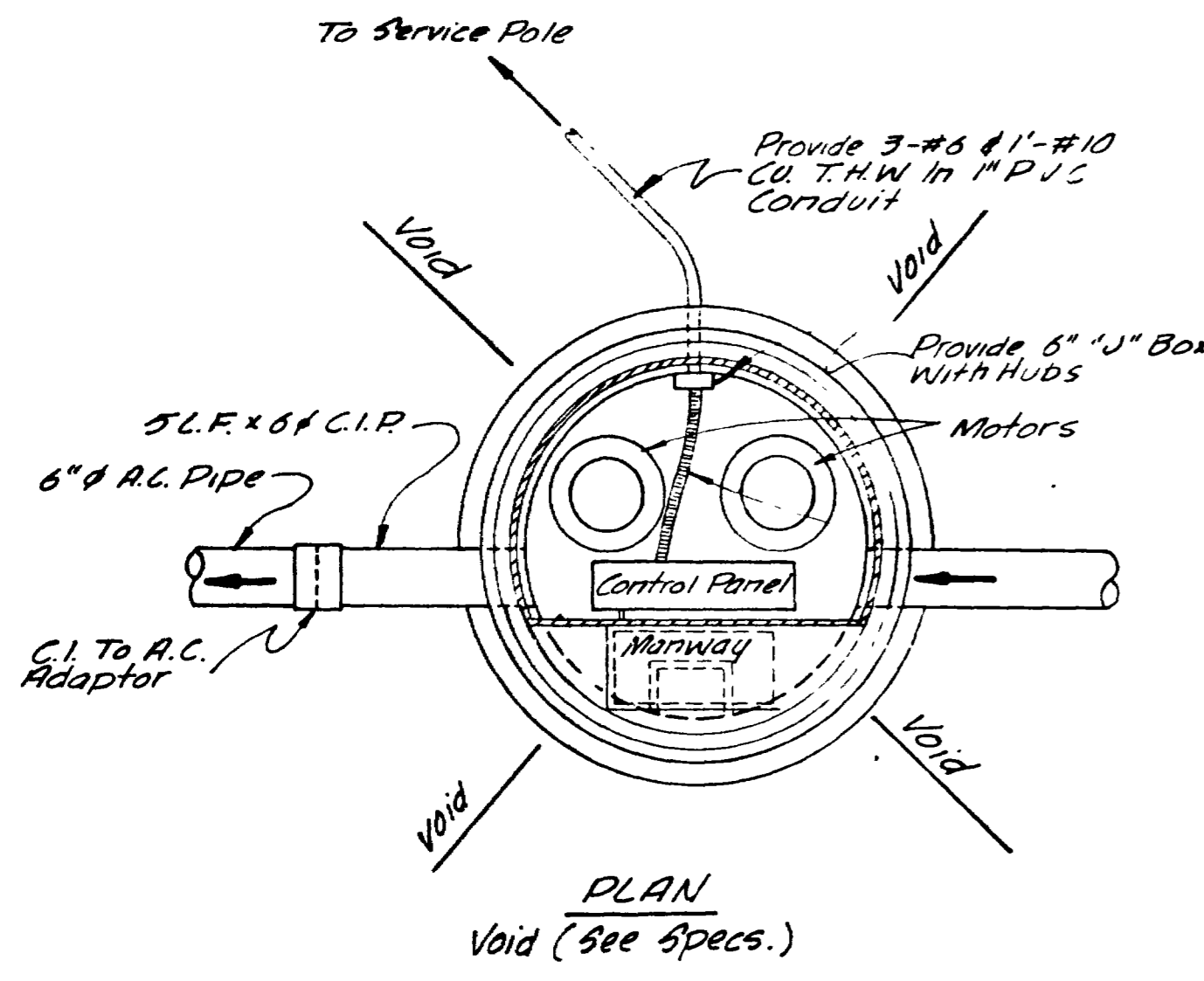


SECTION B-B

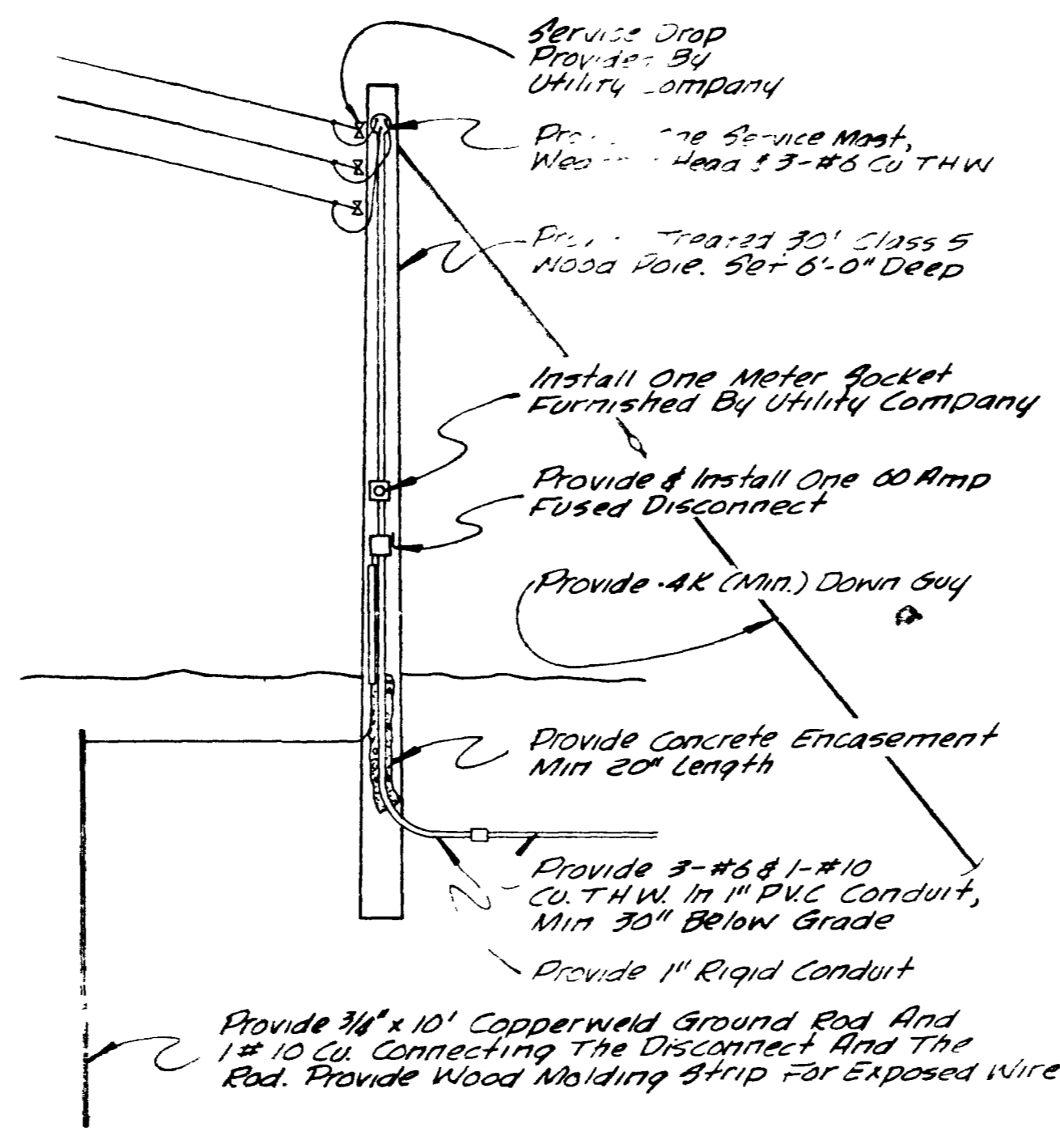
INLET STRUCTURE
Scale: 3/4"=1'-0"

AS BUILT

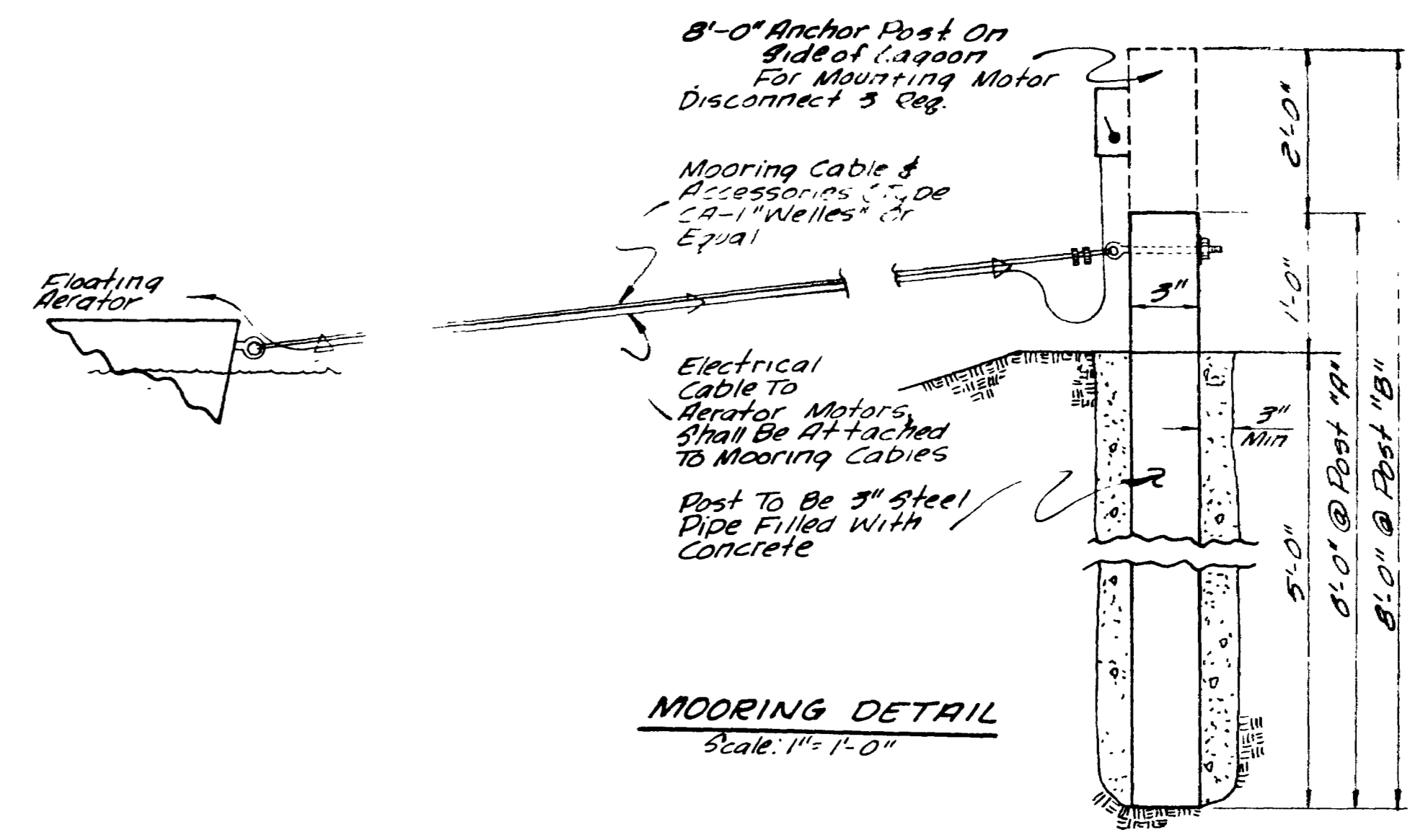
DATE March, 1973		DRAFTSMAN T.A.L.	DEPT HEAD R.R.G.	ENGINEERING NELSON - HALEY - PATTERSON AND QUIRK ENGINEERING CONSULTANTS		PANORAMA IMPROVEMENT DIST. MESA COUNTY, COLORADO		OUTLET STRUCTURE AND INLET STRUCTURE		7	SHEET 5
SCALE As Shown		PROJECT ENGR R.L.A.	CONST REP	GRAND JUNCTION COLORADO							
NO. BY DATE APPROVED		PROJECT MGR G.W.B.		CONSULTANTS							



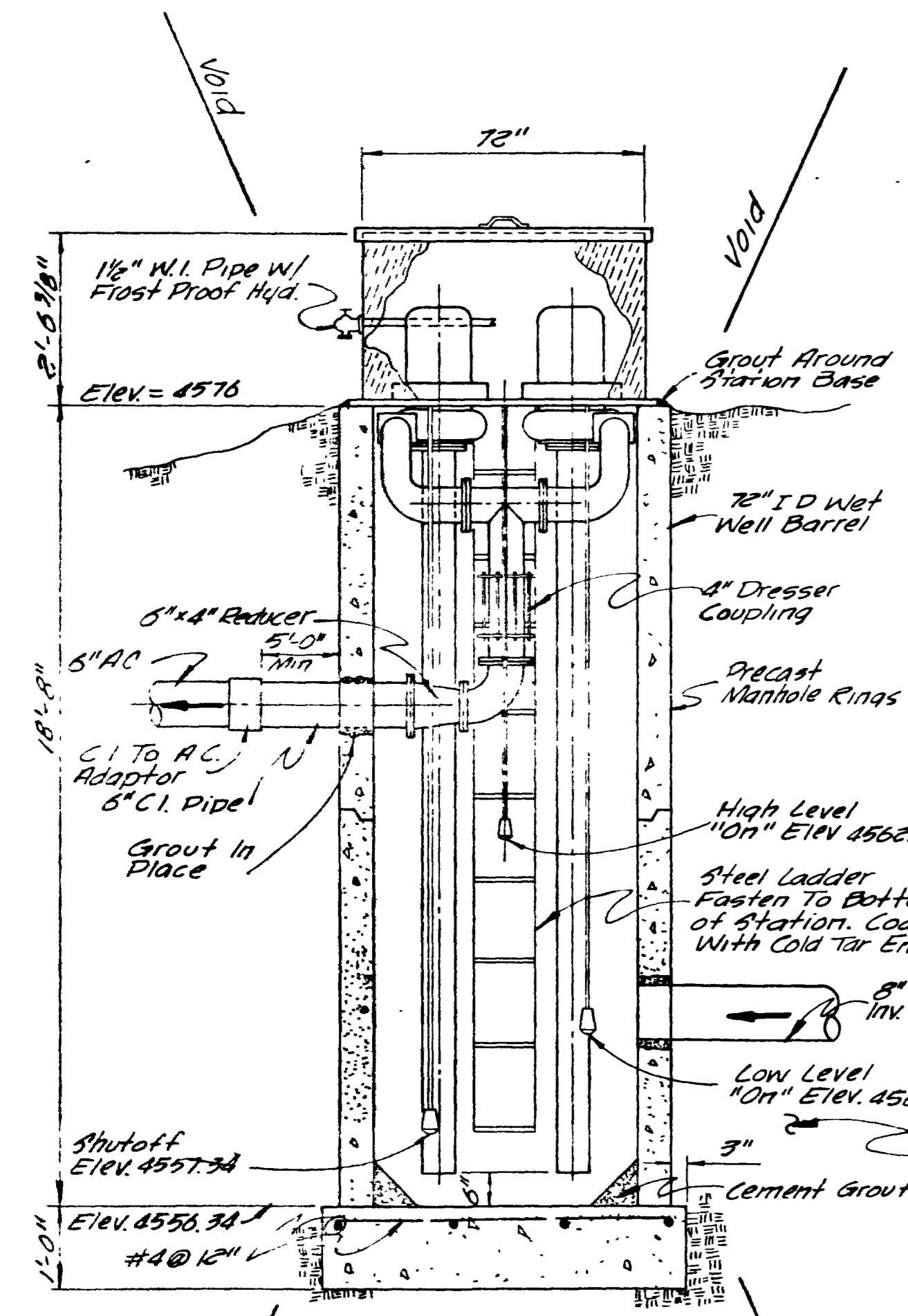
PLAN
Void (see Specs.)



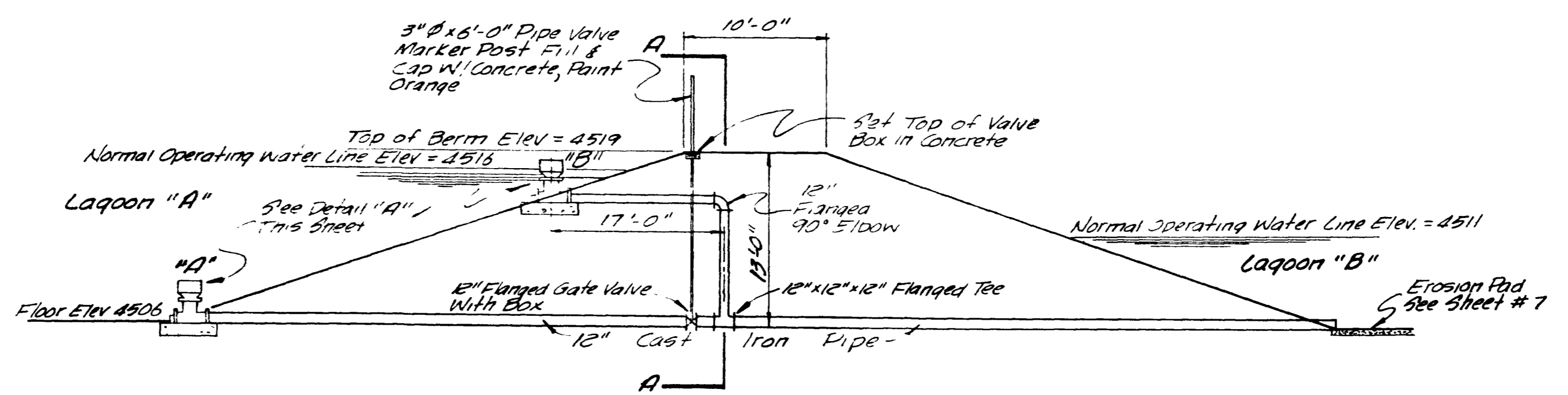
ELECTRICAL SERVICE CONNECTION
No Scale



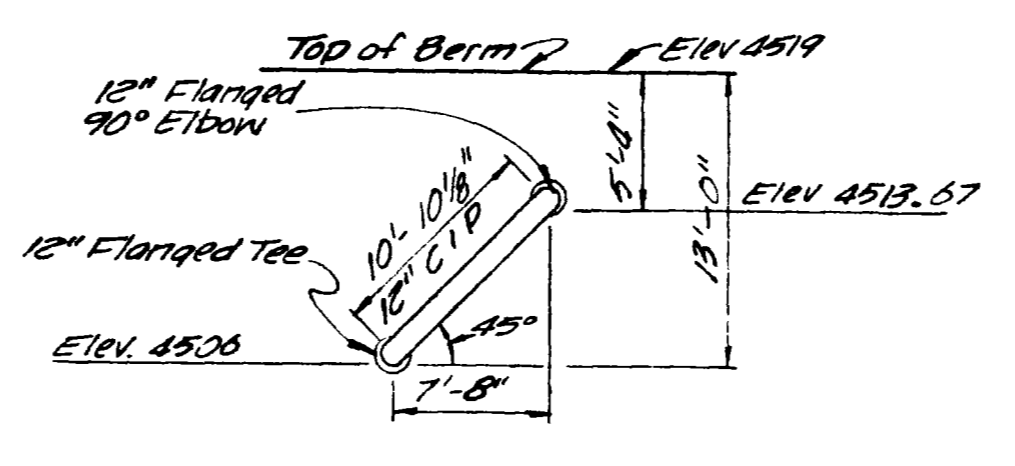
MOORING DETAIL
Scale: 1" = 1'-0"



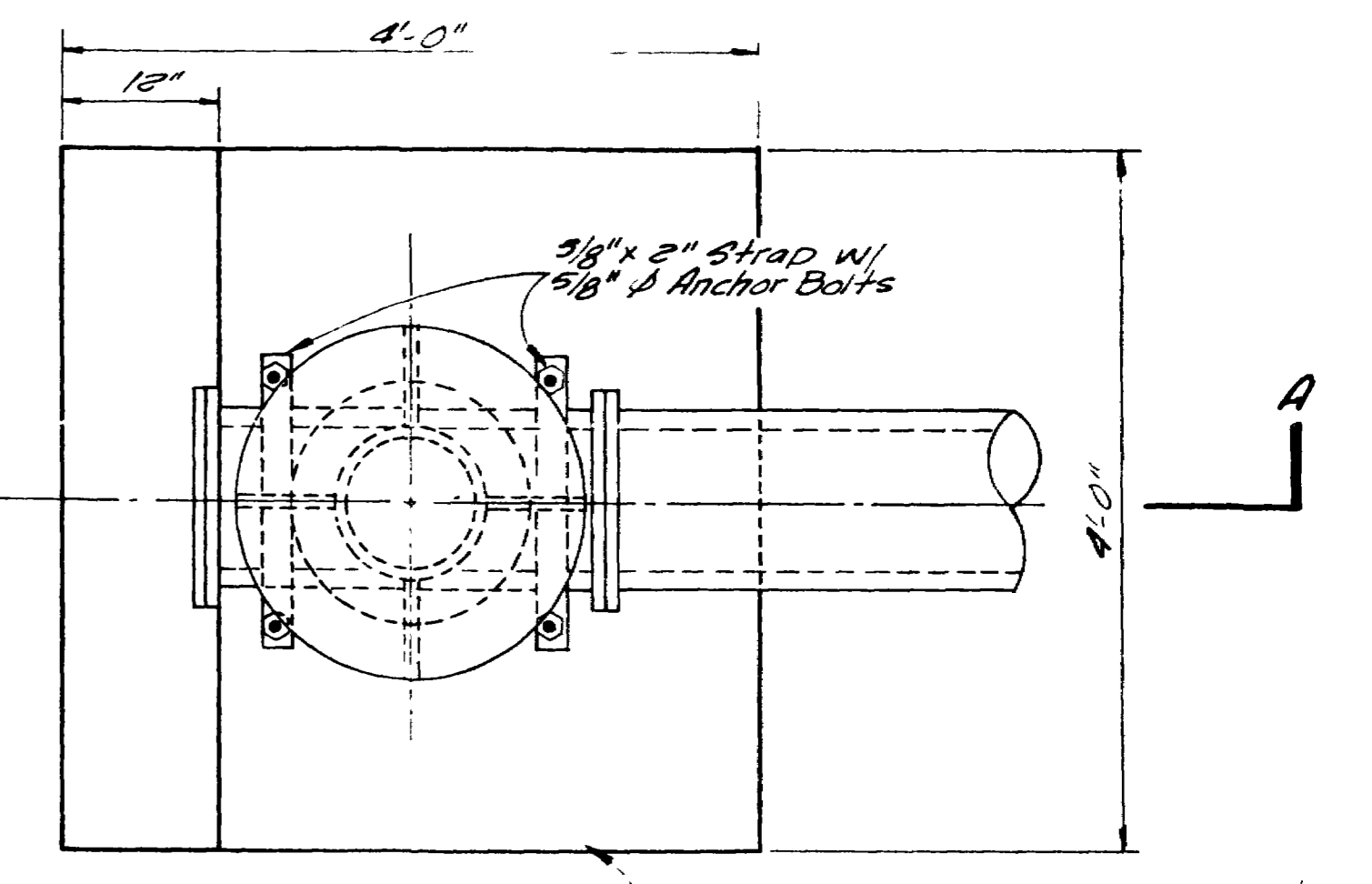
SECTIONAL ELEVATION
LIFT STATION DETAIL
No Scale
Void (see Specs.)



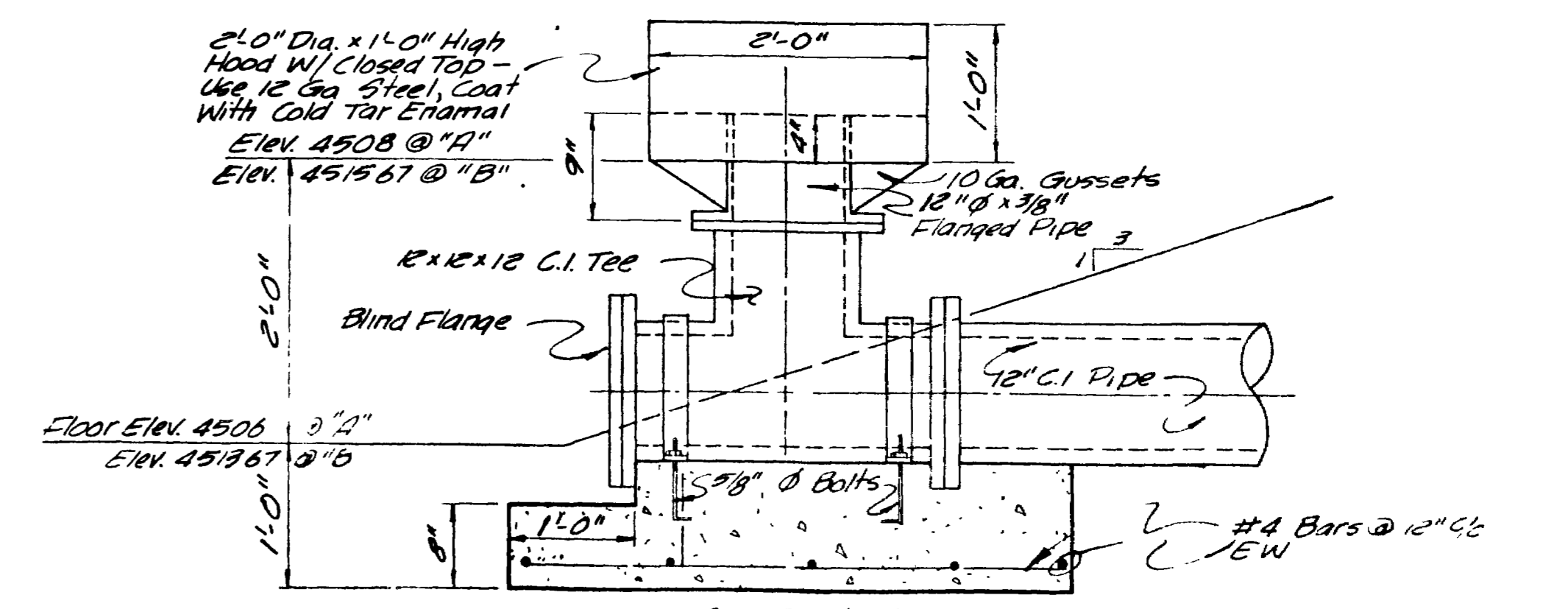
SECTIONAL ELEVATION
Scale: 1/8" = 1'-0"



SECTION A-A



PLAN



SECTION A-A

DETAIL "A"
(2 REQ)
Scale: 1" = 1'-0"

DIVISION STRUCTURE
Scale: As Shown

NO.	BY	DATE	REVISION

DATE	TAL	DEPT. HEAD
March, 1973	RLA	RPG
SCALE	G.W.B.	CONST. REP.
As Shown		

NELSON - HALEY - PATTERSON AND QUIRK
ENGINEERING CONSULTANTS
GRAND JUNCTION COLORADO

PANORAMA IMPROVEMENT DIST.
MESA COUNTY, COLORADO

LIFT STATION DETAIL
MOORING DETAIL
DIVISION STRUCTURE

