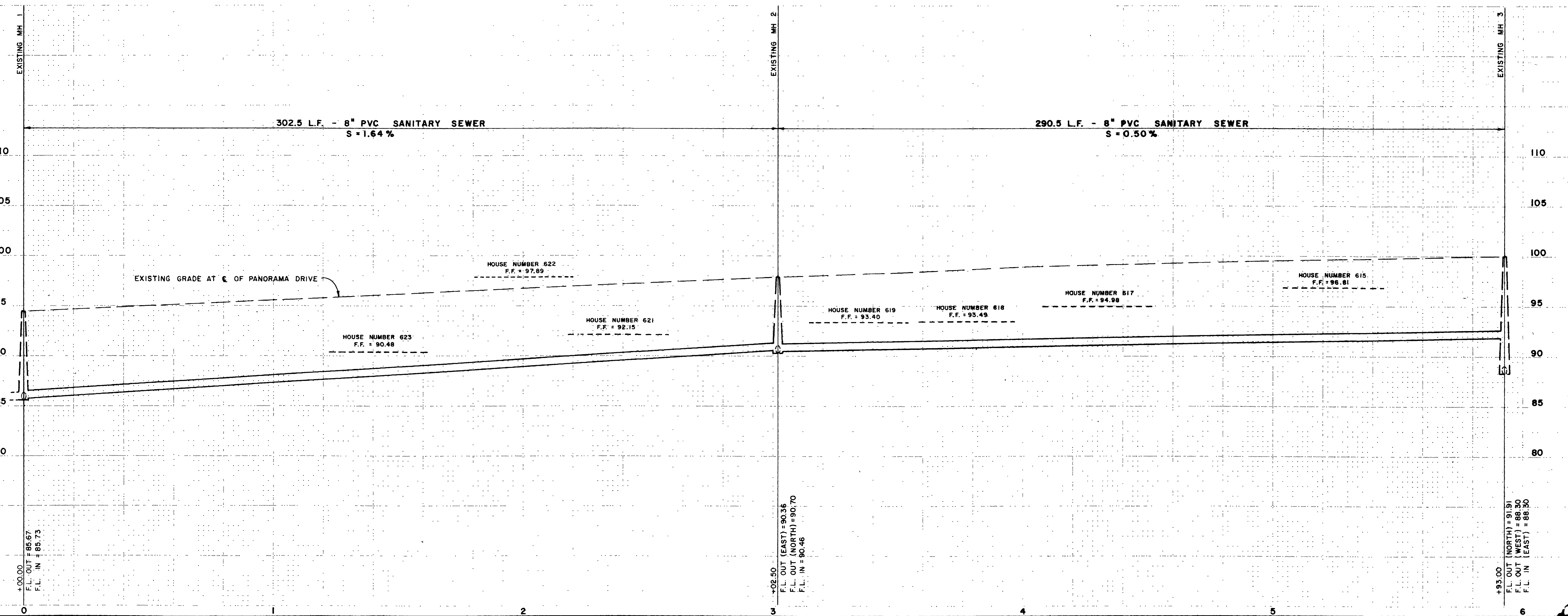


DATUM: ASSUMED ELEVATION 100.00 AT MH 1



DESIGNED BY  
A. BERRY

DRAWN BY  
S. MATTOR

SURVEY DATE

REVISIONS	
NO.	DATE

**PANORAMA IMPROVEMENT DISTRICT**  
**SEWER LINE RECONSTRUCTION**  
 NICHOLS ASSOCIATES, INC. ENGINEERS - PLANNERS  
 178 Yosemite Drive, Suite 100, Grand Junction, Colorado 81501 Phone 303-243-1815

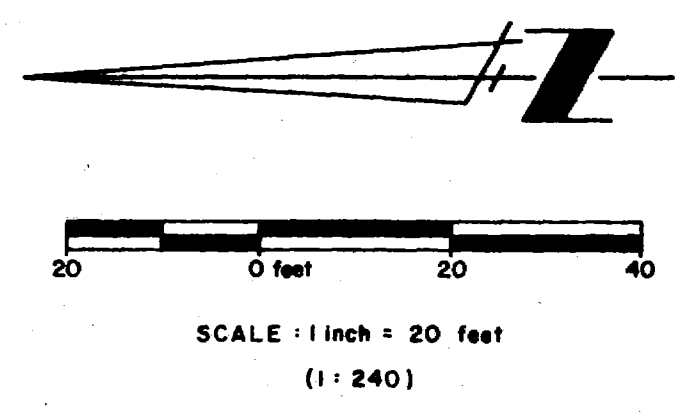
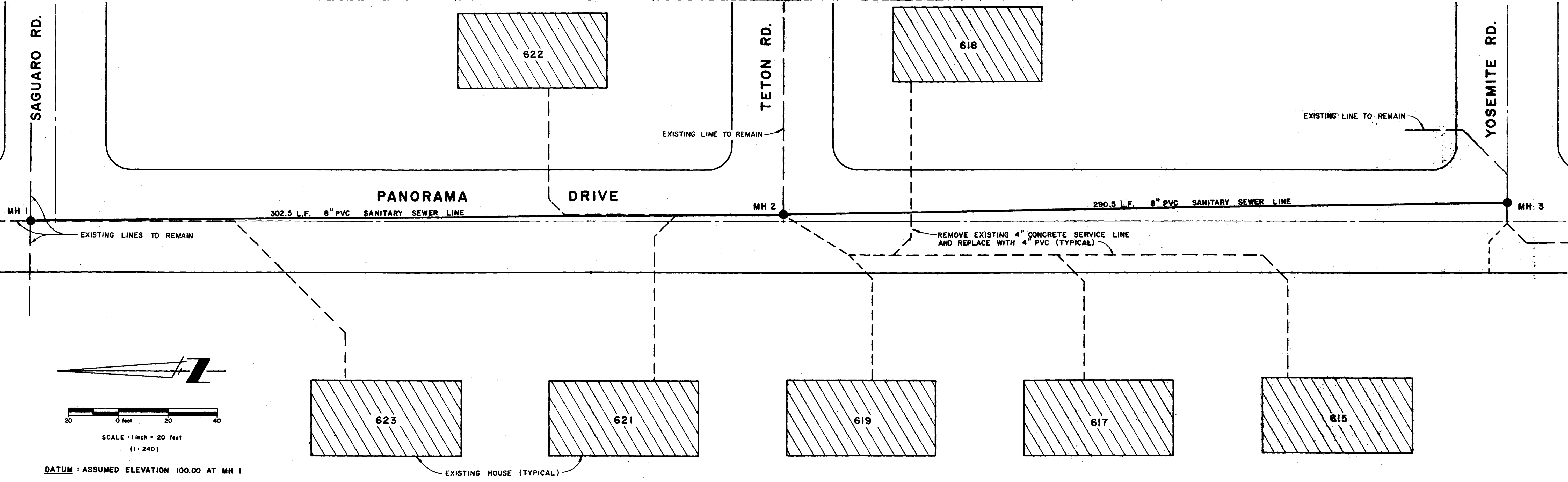


DATE DRAWN  
June 26, 1981

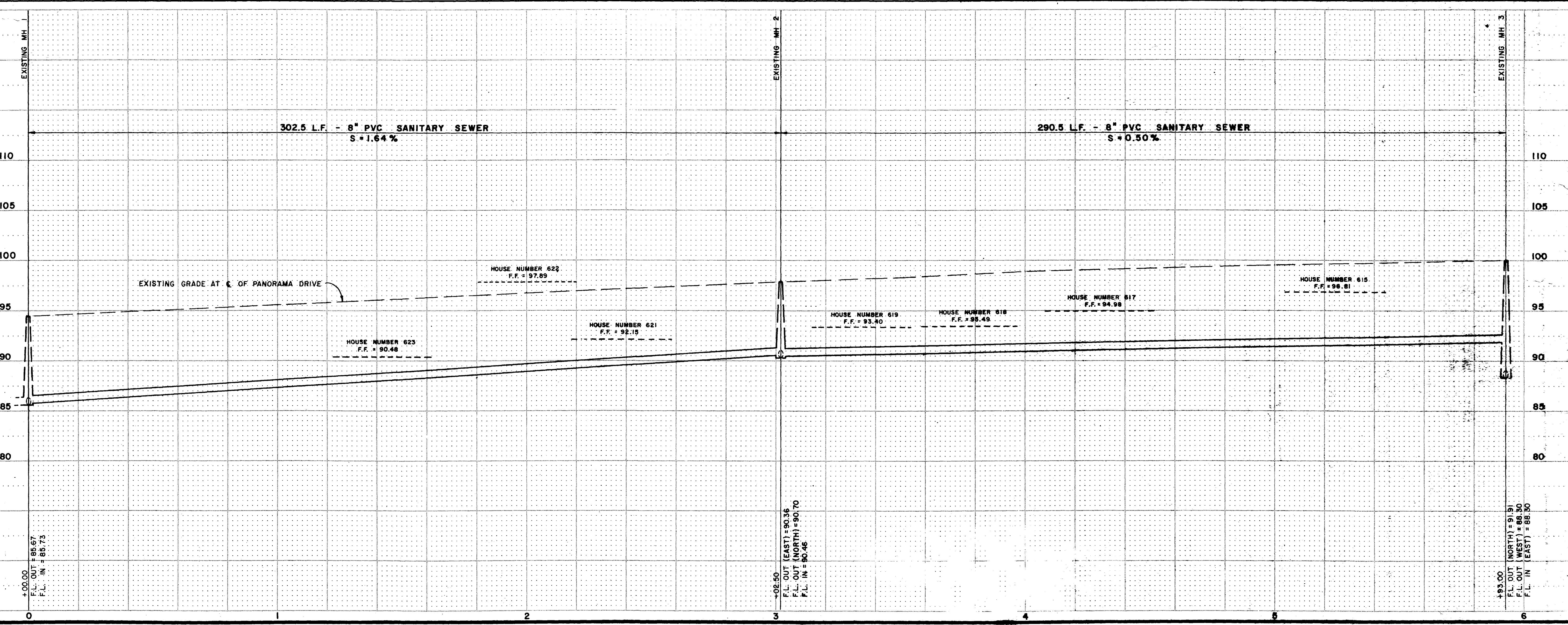
SCALE  
Horiz. 1 inch = 20 feet  
Vert. 1 inch = 5 feet

PROJECT NUMBER  
2479

SHEET NUMBER  
1 OF 1



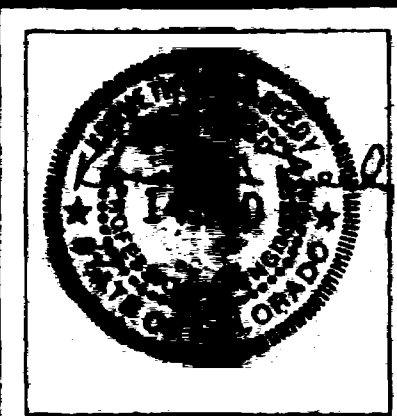
DATUM: ASSUMED ELEVATION 100.00 AT MH 1



DESIGNED BY  
K. Becker

NO.	DATE	REVISIONS

**PANORAMA IMPROVEMENT DISTRICT**  
 SEWER LINE RECONSTRUCTION  
 NICHOLS ASSOCIATES, INC. ENGINEERS - PLANNERS  
 170 Madison Drive, P.O. Box 108, Grand Junction, Colorado 81501-0108  
 PHONE 263-2411 FAX 263-2412



DATE DRAWN  
June 20, 1981

SCALE  
Horizontal: 1 inch = 20 feet  
Vertical: 1 inch = 5 feet

PROJECT NUMBER  
2478

SHEET NUMBER  
1 OF 1