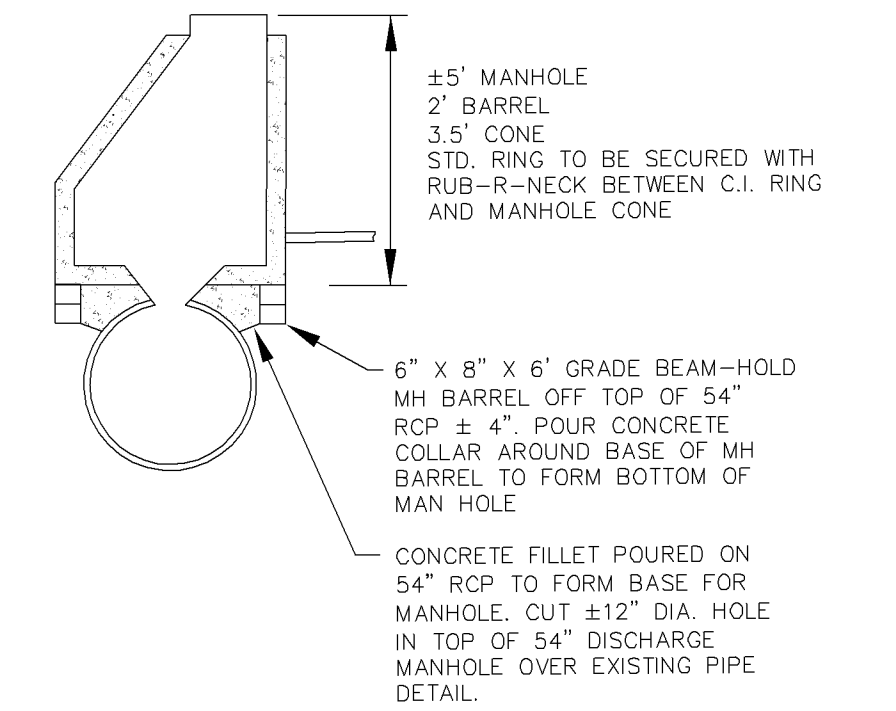


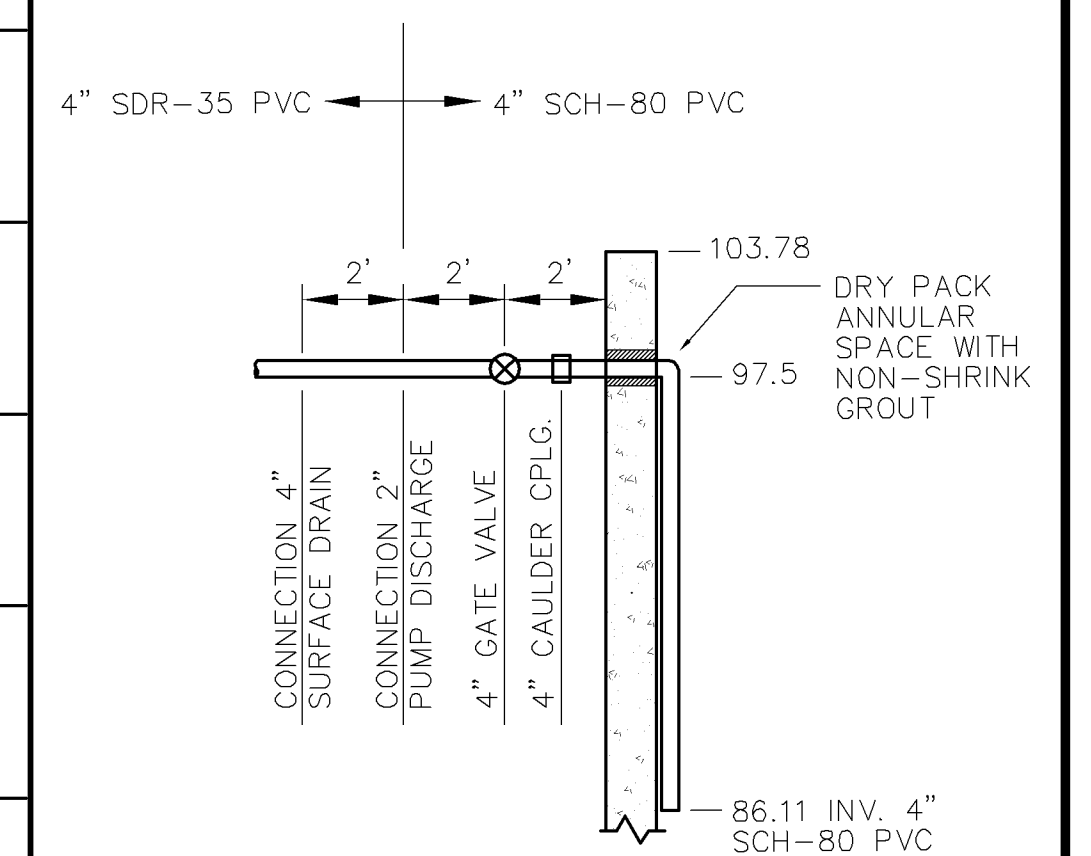
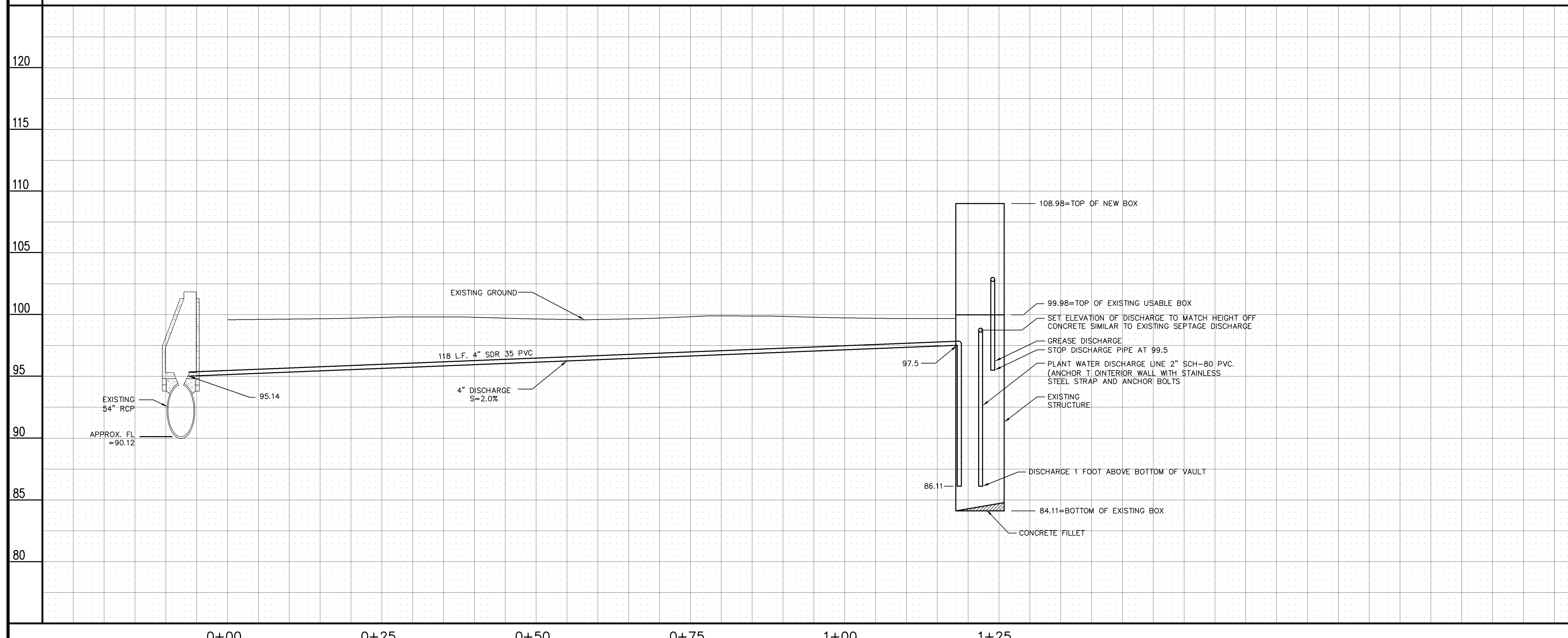
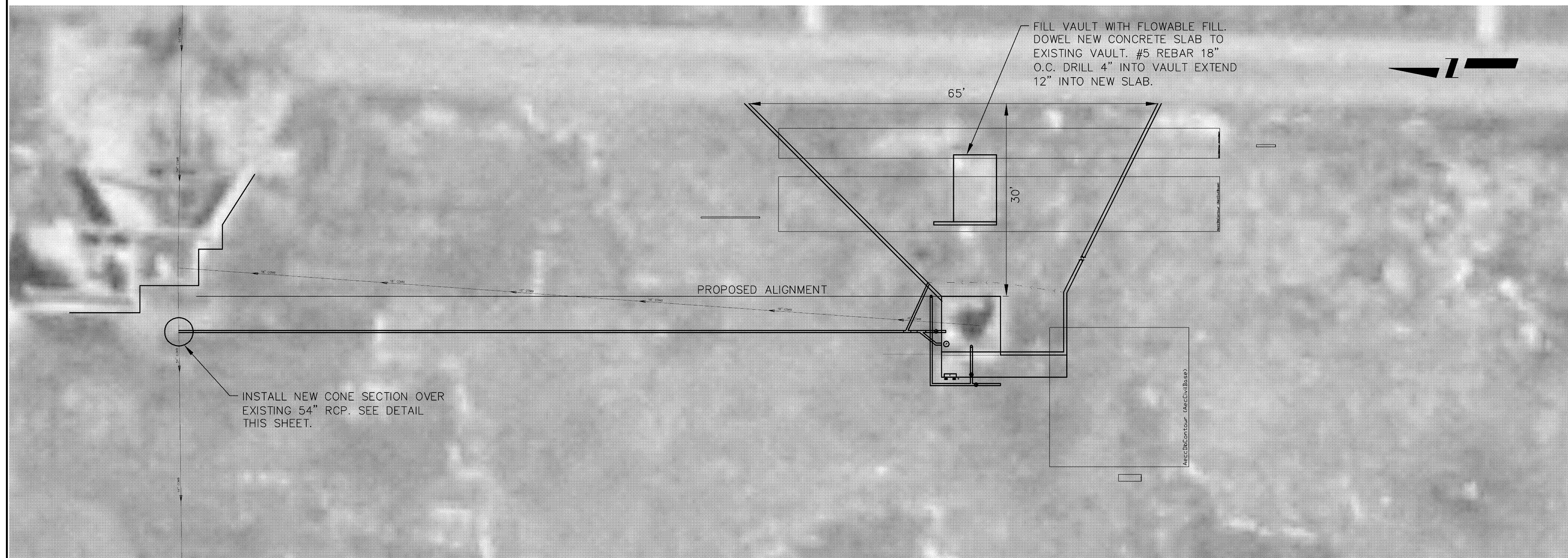
HORIZONTAL CONTROL DATA

PNT	STATION	OFFSET	NORTHING	EASTING	DESCRIPTION
			OR		
CURVE	DELTA	RADIUS	LENGTH		
A1	STATION	OFFSET	NORTHING	EASTING	DESCRIPTION

CONSTRUCTION NOTES



SCALE: 1"=2'



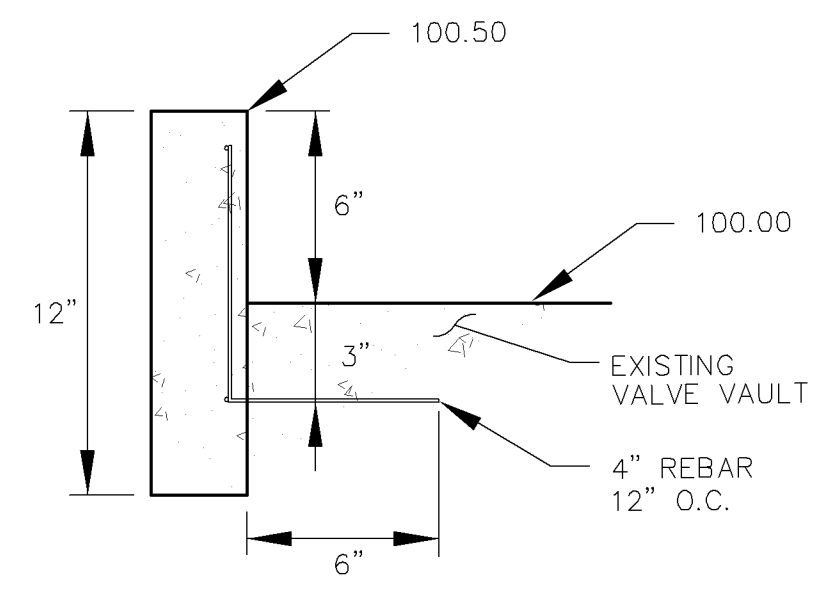
REVISION	DESCRIPTION	DATE	DRAWN BY	DATE
△			TLT	10/18/04
△				
△				
△				

SCALES:	
PLAN	PROFILE
HORIZONTAL	HORIZONTAL
0 2.5 5 10	0 2.5 5 10
VERTICAL	
0 2.5 5	

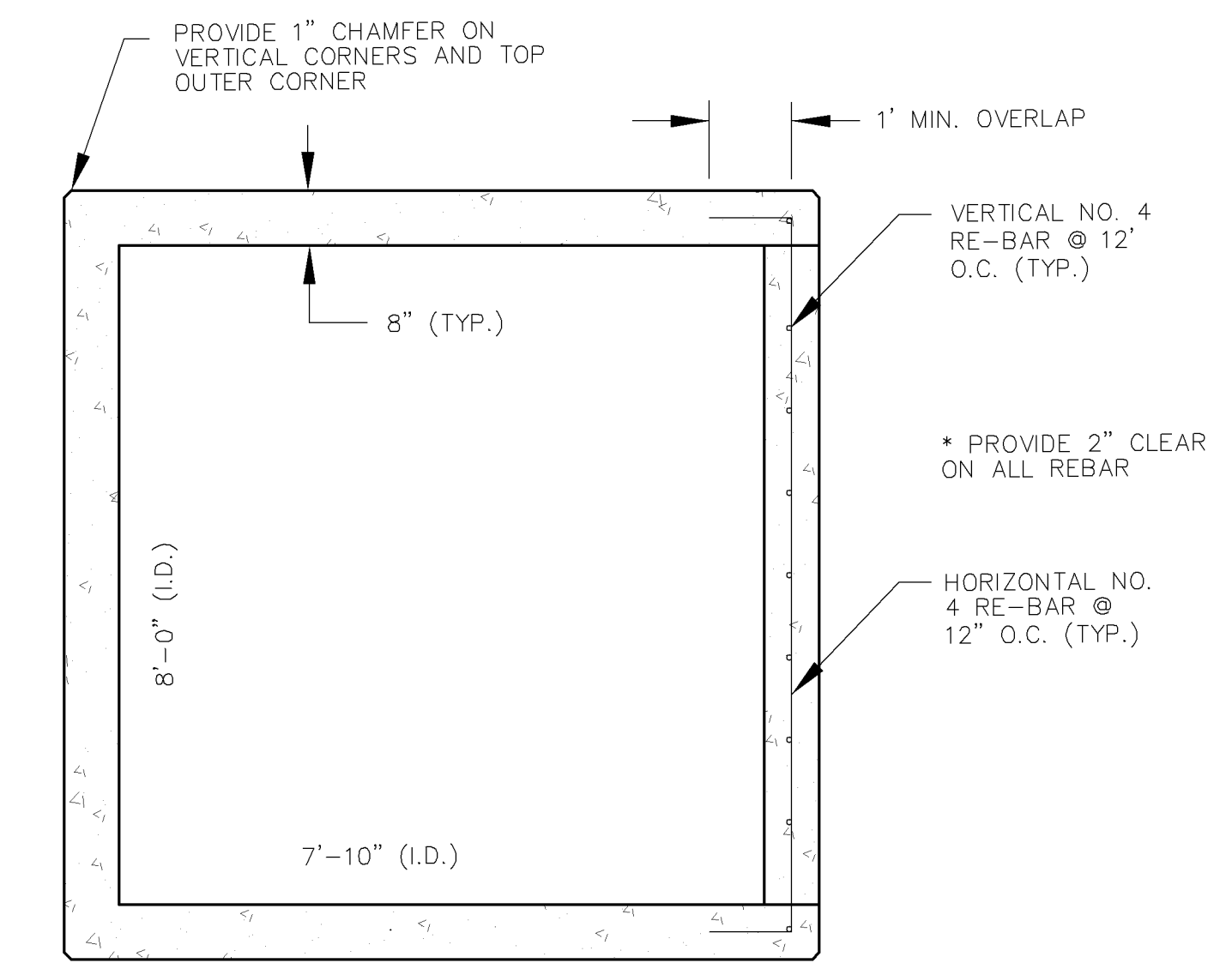


PUBLIC WORKS AND UTILITIES ENGINEERING DIVISION

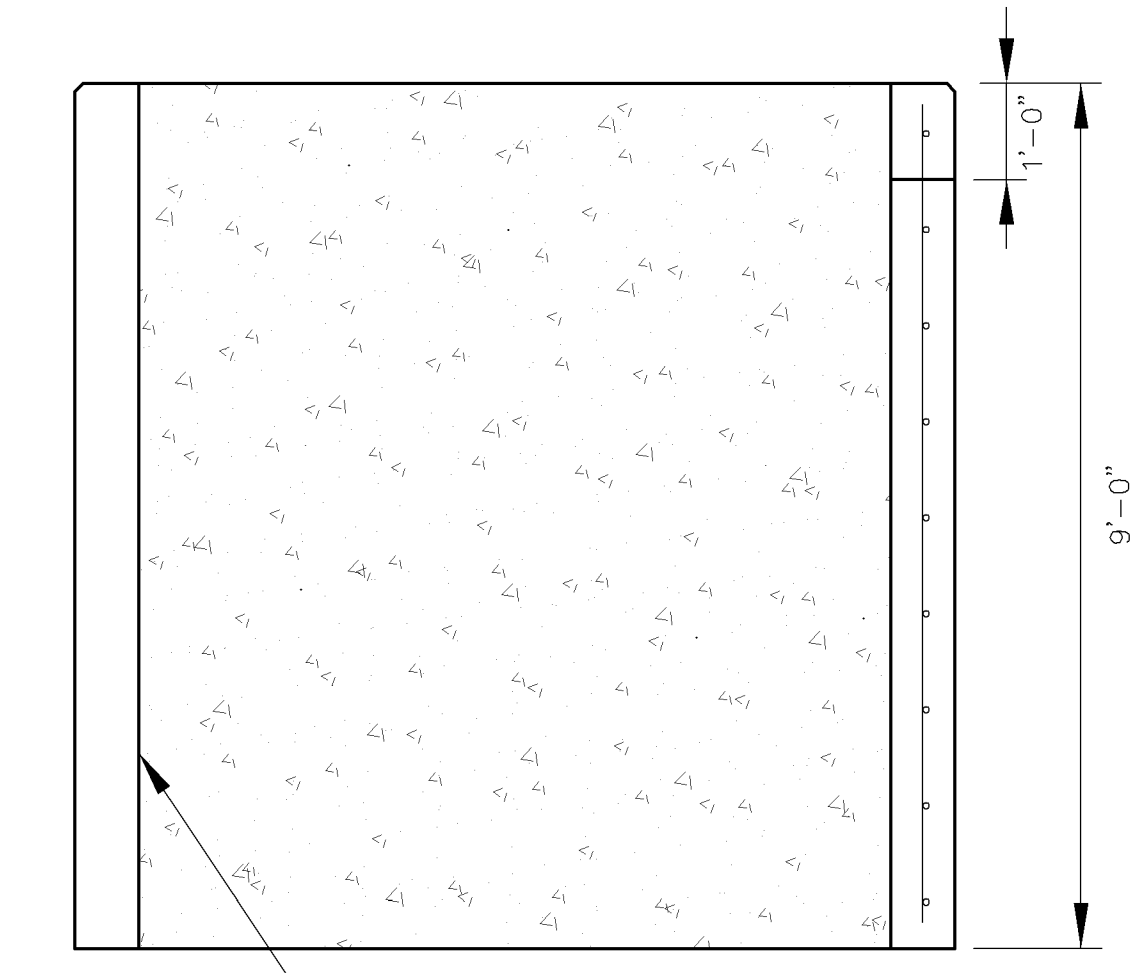
**Persigo Grease Facility
PLAN AND PROFILES
STA 0+00 TO STA 1+18.00**



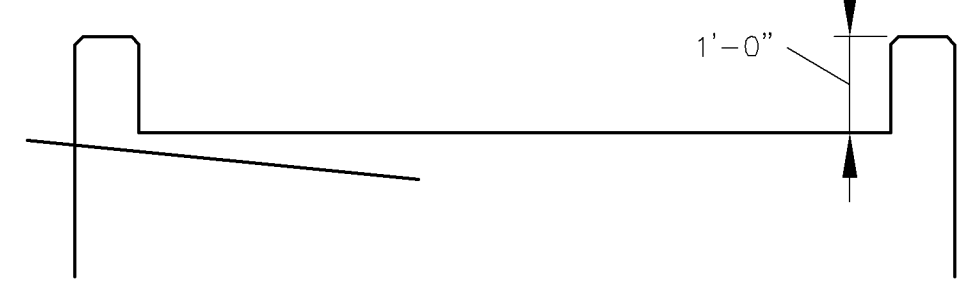
SECTION A-A
SCALE: 1"=5'



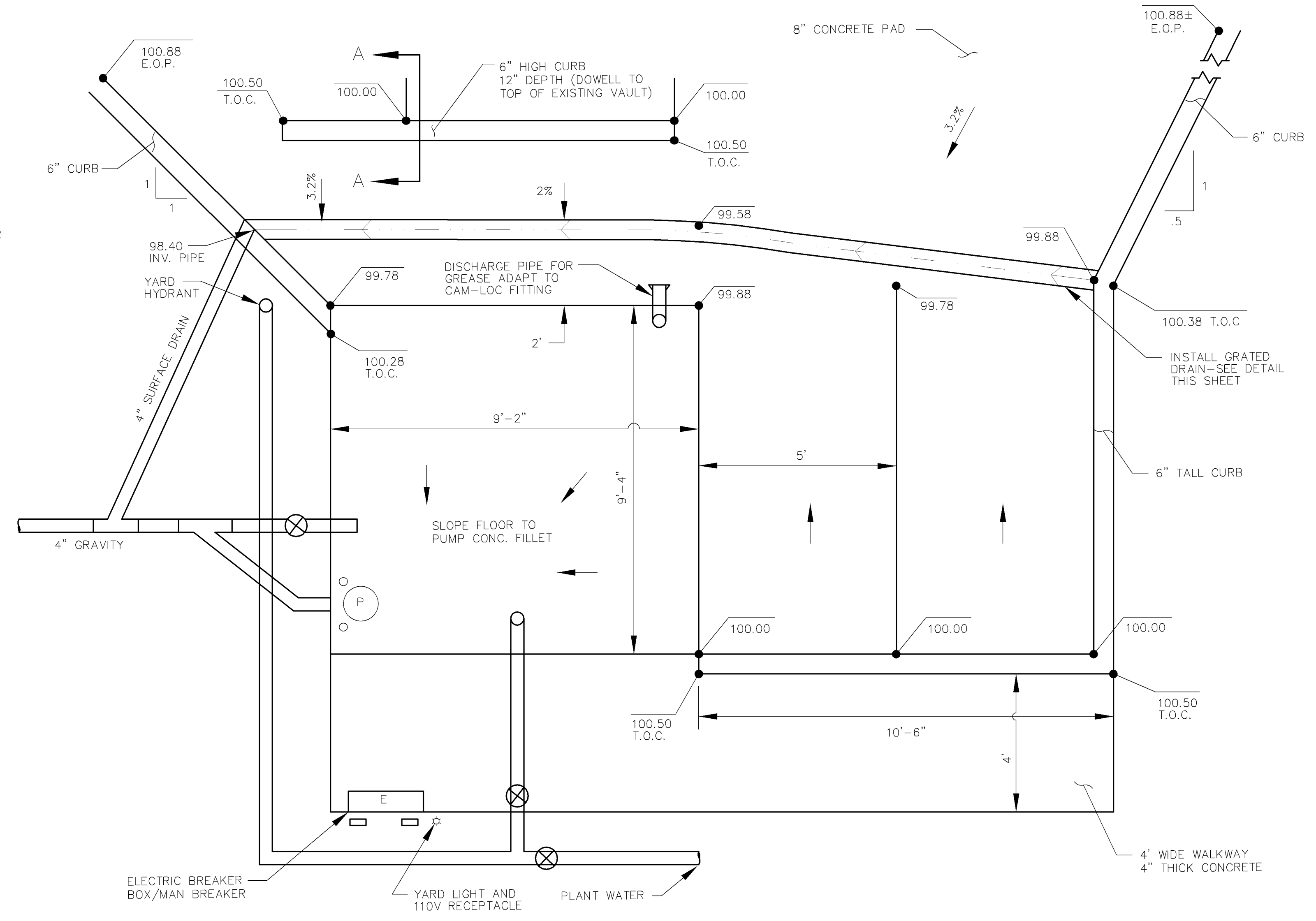
SCALE: 1"=2'



SCALE: 1"=2'

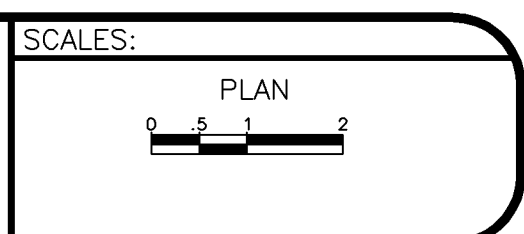


SCALE: 1"=2'



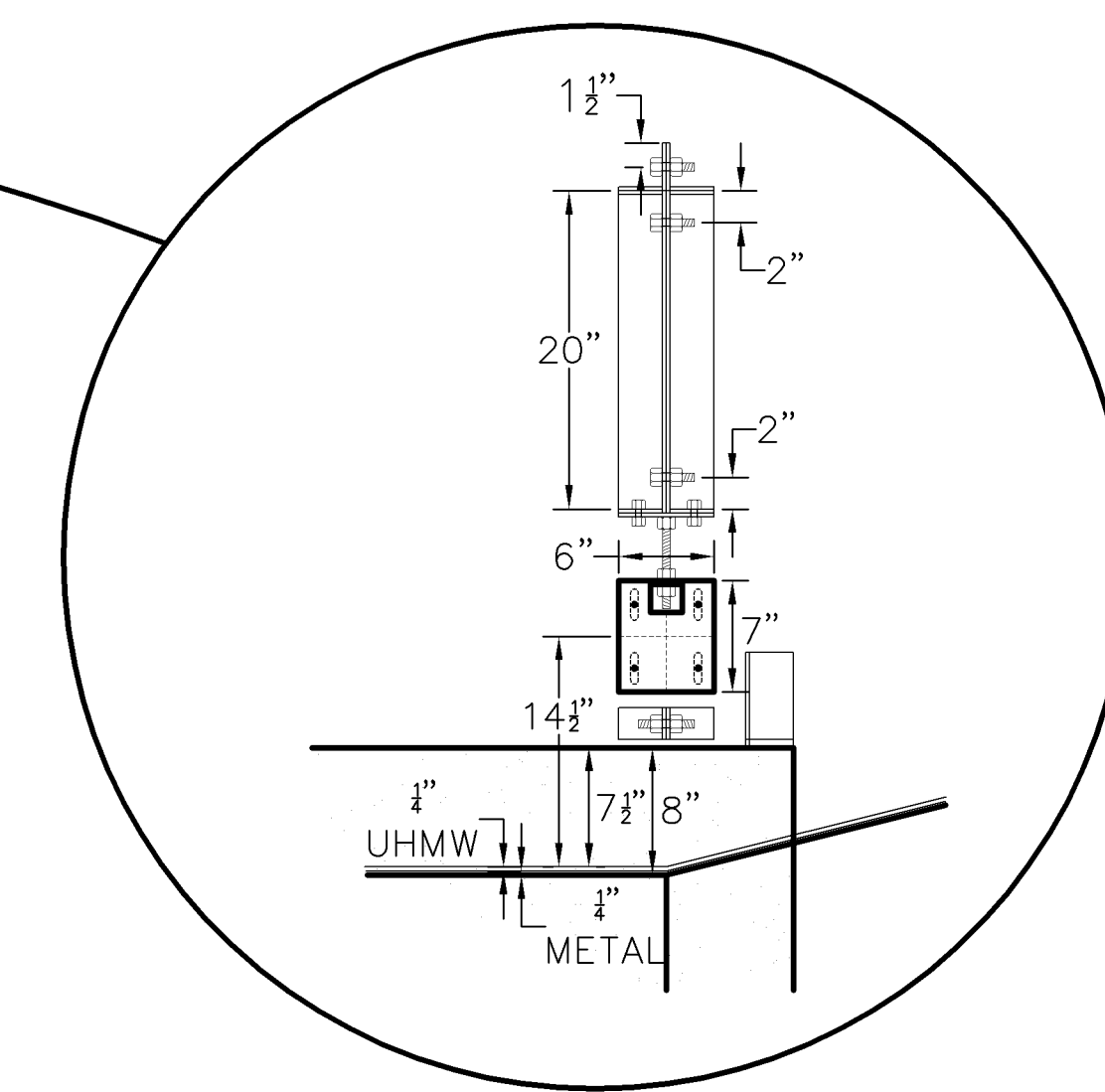
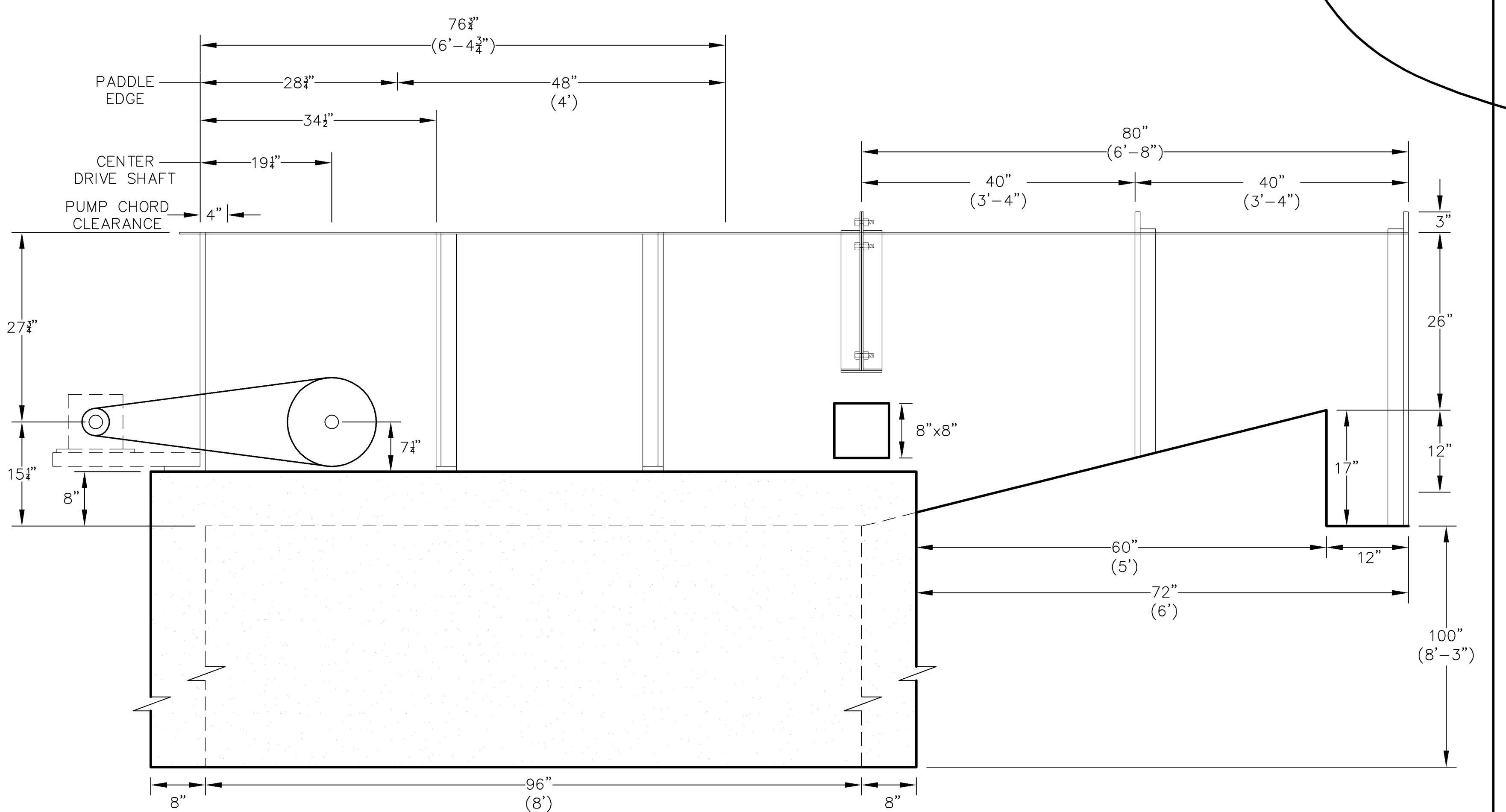
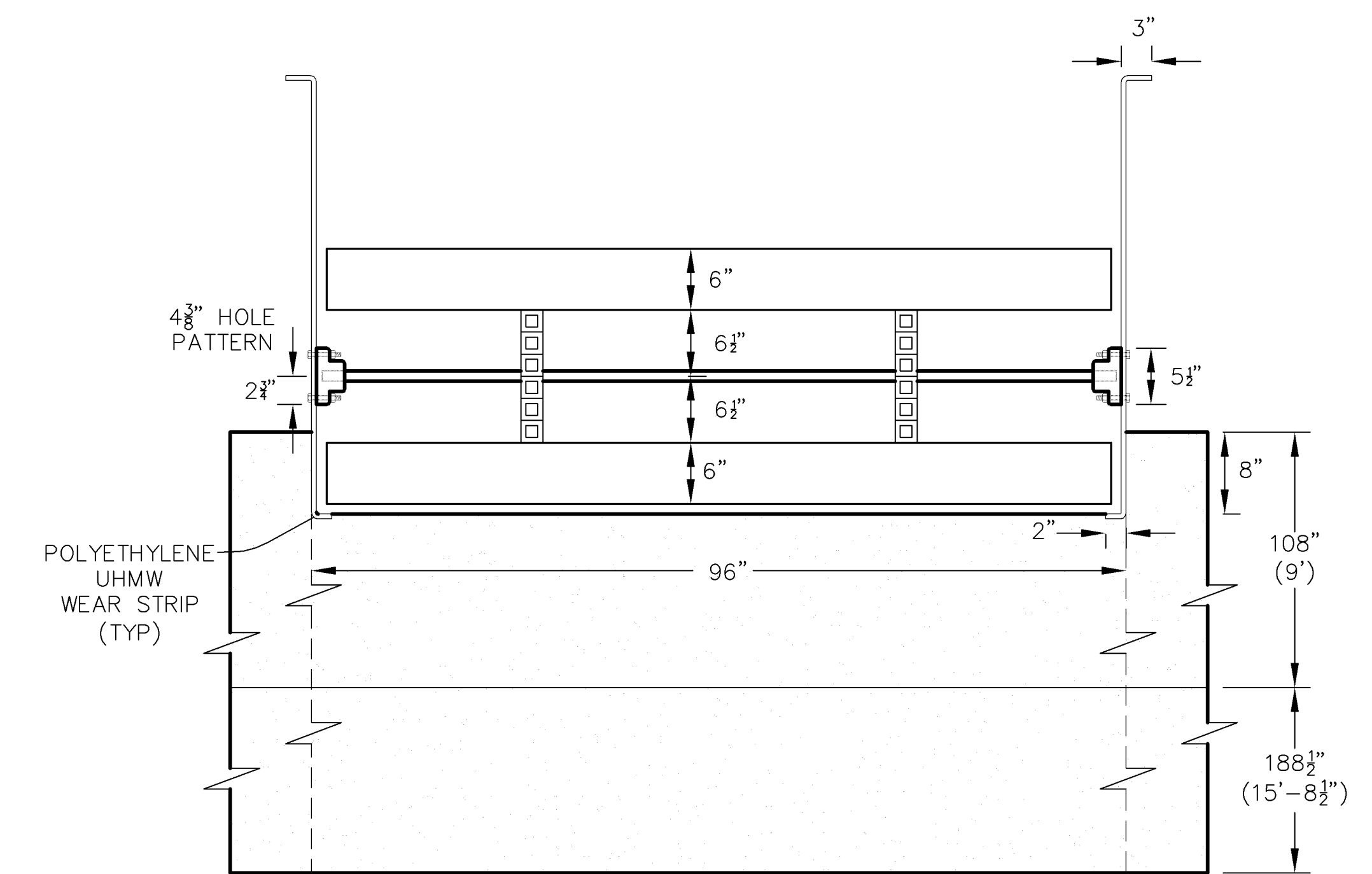
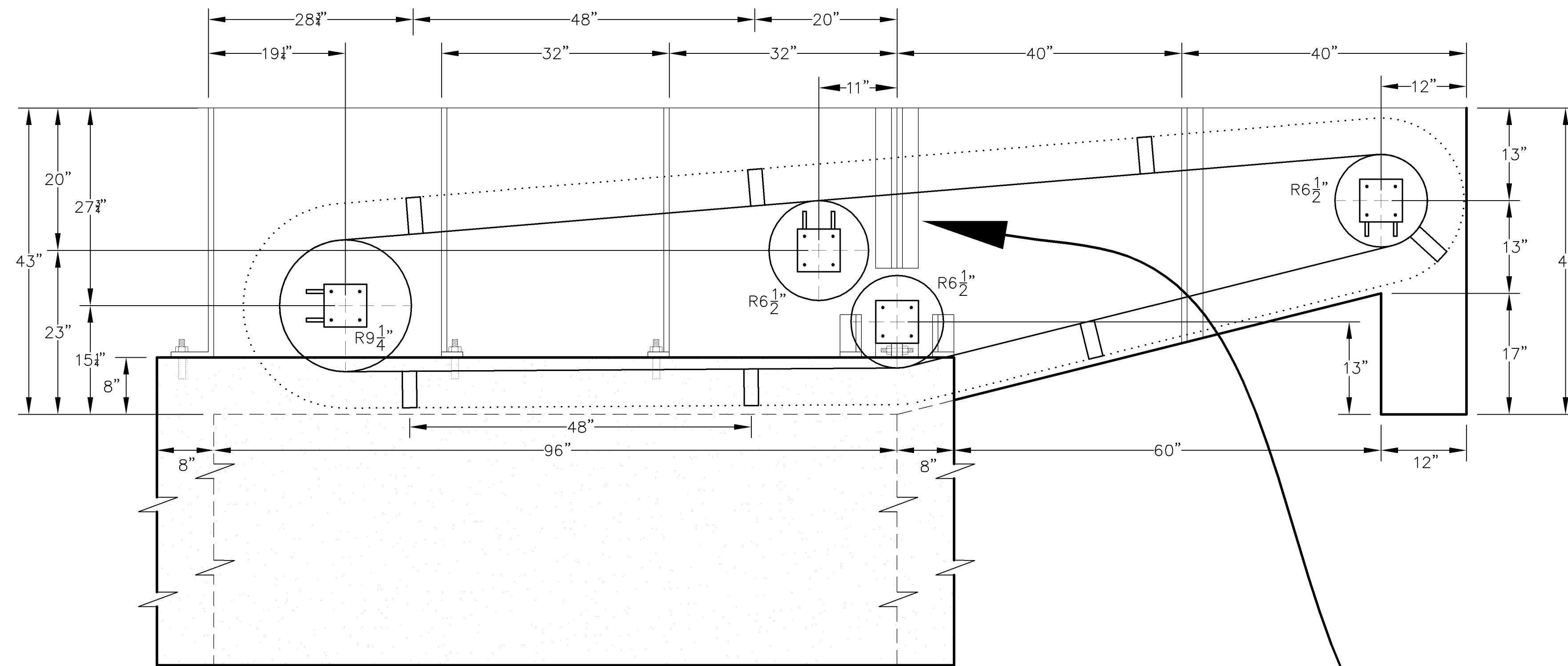
SCALE: 1"=2'

REVISION	DESCRIPTION	DATE	DRAWN BY	DATE
REVISION			TLT	10/18/04
REVISION			DESIGNED BY	DATE
REVISION			CHECKED BY	DATE
REVISION			APPROVED BY	DATE



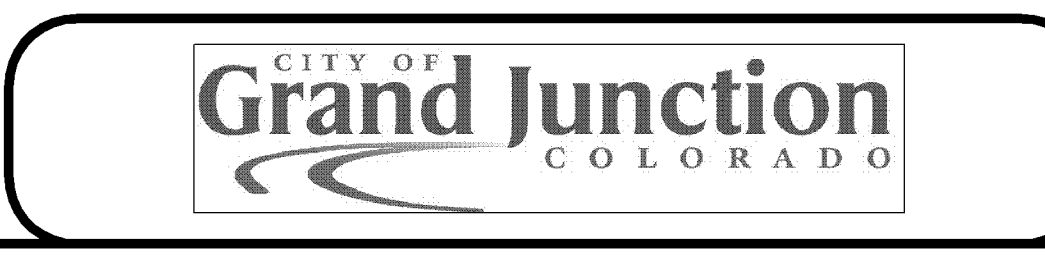
PUBLIC WORKS
AND UTILITIES
ENGINEERING DIVISION

Persigo Grease Facility
DETAILS



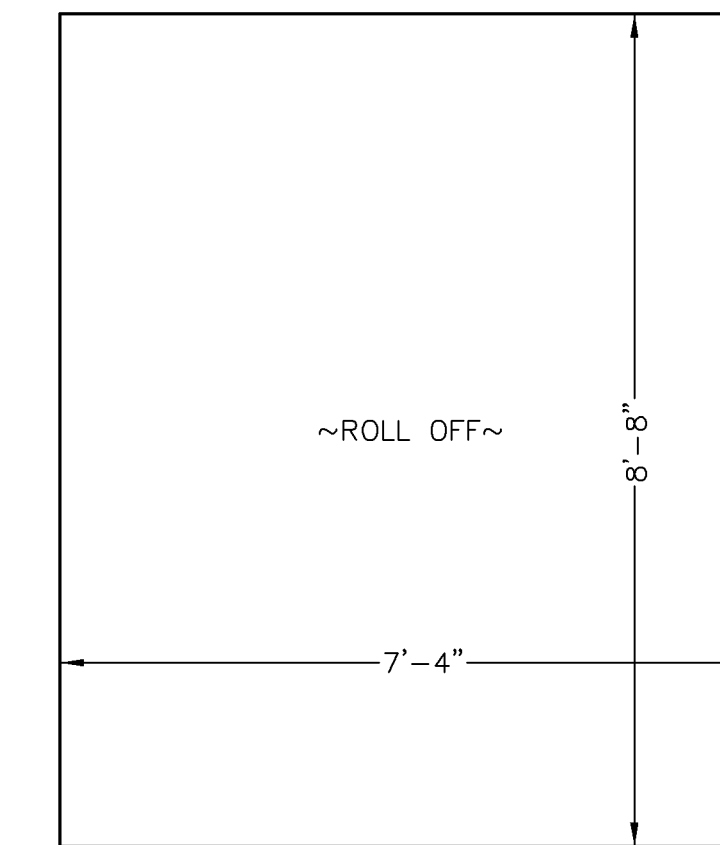
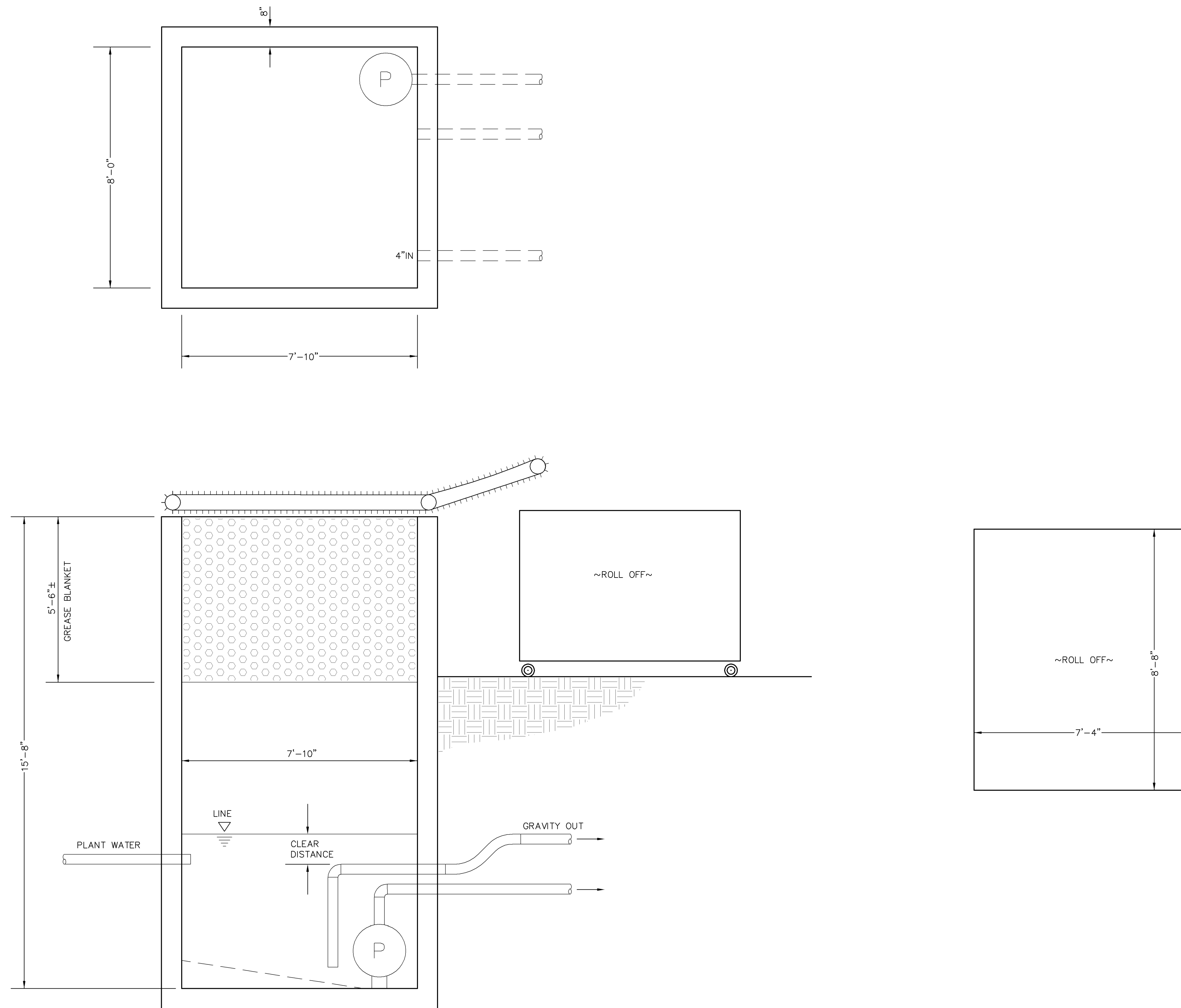
REVISION	DESCRIPTION	DATE	DRAWN BY	DATE
REVISION A			XXX	2002
REVISION B				
REVISION C				
REVISION D				

SCALE:
1" = 1'



PUBLIC WORKS
AND UTILITIES
ENGINEERING DIVISION

PERSIGO GREASE FACILITY
CONVEYOR SYSTEM



REVISION	DESCRIPTION	DATE	DRAWN BY	DATE
△				2005
△				
△				
△				

SCALE:
1" = 2'



PUBLIC WORKS
AND UTILITIES
ENGINEERING DIVISION

PERSIGO GREASE FACILITY
CONVEYOR SYSTEM